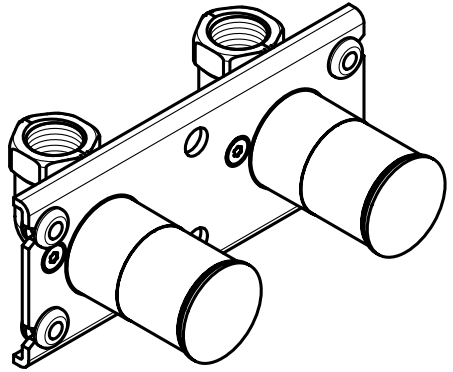


**ZH** 组装说明

**EN** assembly instructions

2

2



**Rainfinity**  
26840187

**安全技巧**

- △ 装配时为避免挤压和切割受伤，必须戴上手套。
- △ 冷热水管间过大的压力差必须予以平衡。

**安装提示**

- 安装前必须检查产品是否受到运输损害。安装后将不认可运输损害或表面损伤。
- 管道和阀门必须根据通用标准进行安装、冲洗和检查。
- 请遵守当地国家现行的安装规定。

**符号说明**

请勿使用含有乙酸的硅胶！



安装示意 (参见第页 4)



大小 (参见第页 3)



备用零件 (参见第页 3)

**Safety Notes**

- △ Gloves should be worn during installation to prevent crushing and cutting injuries.
- △ The hot and cold supplies must be of equal pressures.

**Installation Instructions**

- Prior to installation, inspect the product for transport damages. After it has been installed, no transport or surface damage will be honoured.
- The pipes and the fixture must be installed, flushed and tested as per the applicable standards.
- The plumbing codes applicable in the respective countries must be observed.

**Symbol description**

Do not use silicone containing acetic acid!



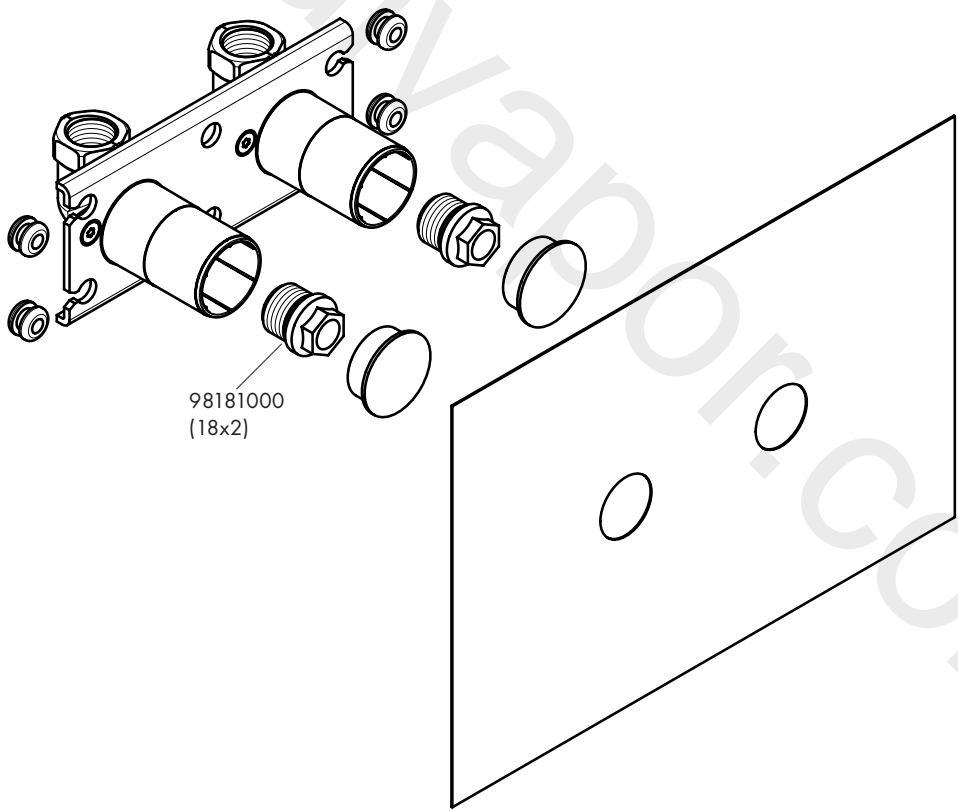
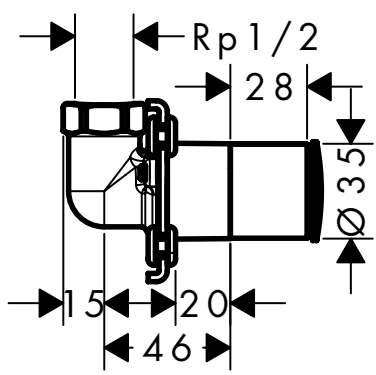
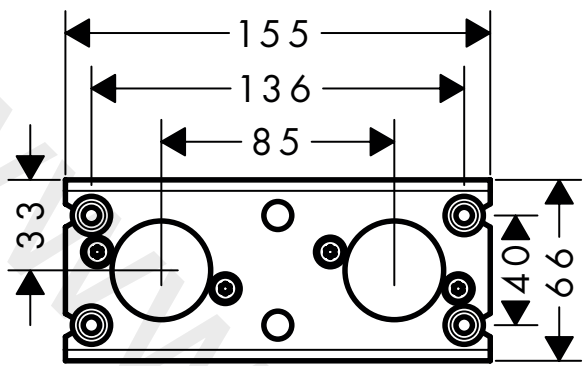
**Installation example** (see page 18)

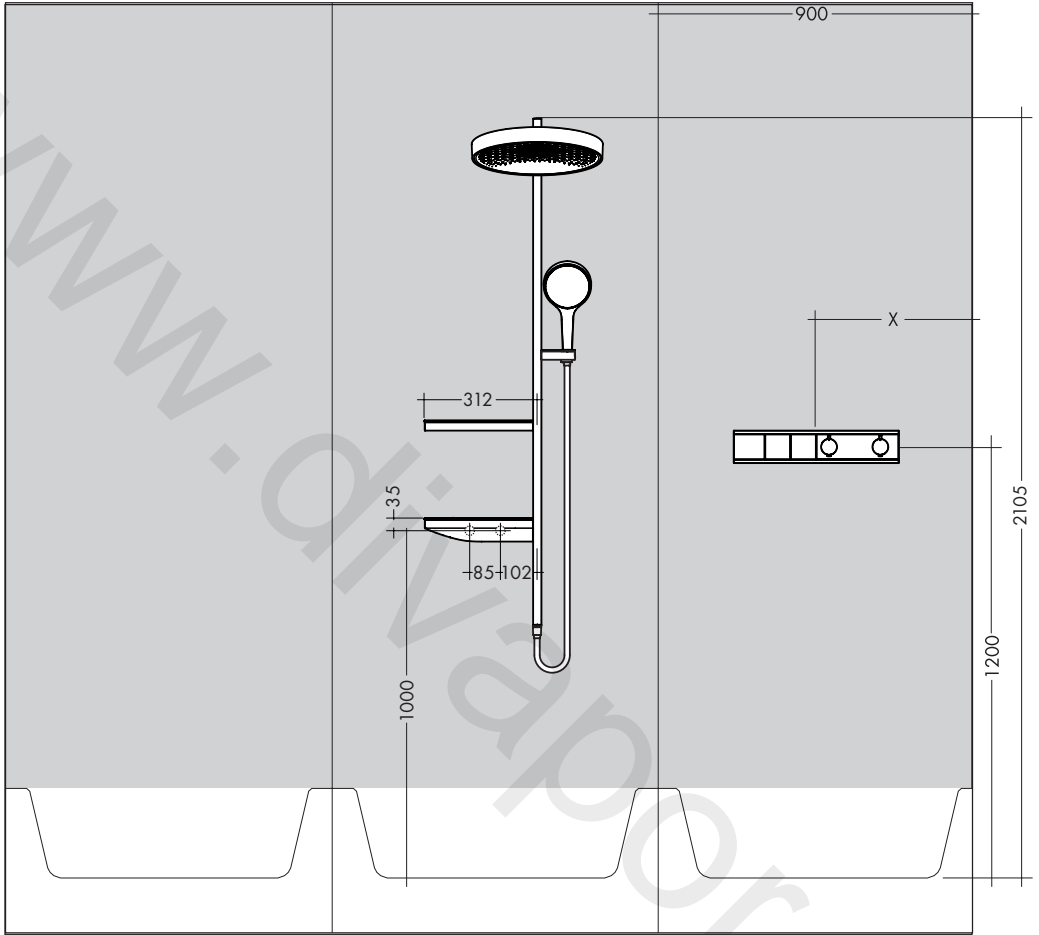


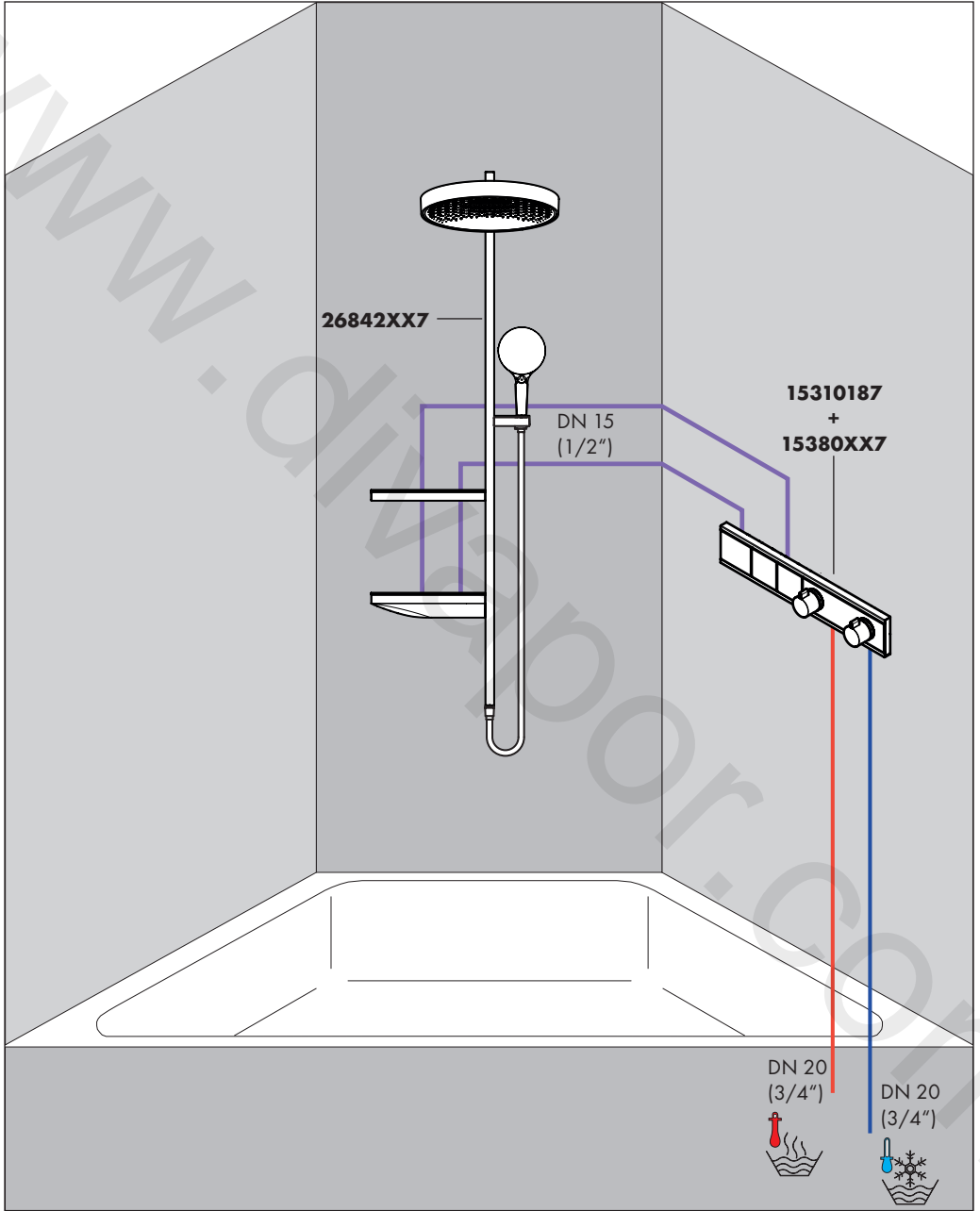
**Dimensions** (see page 3)

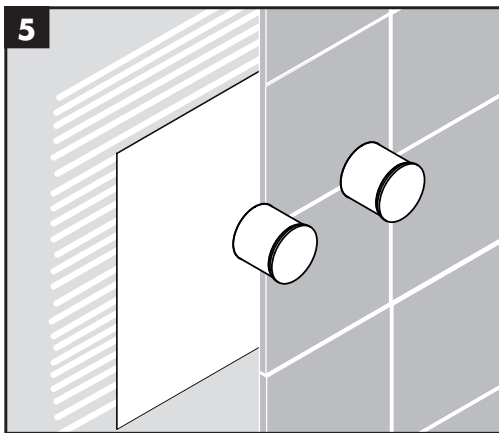
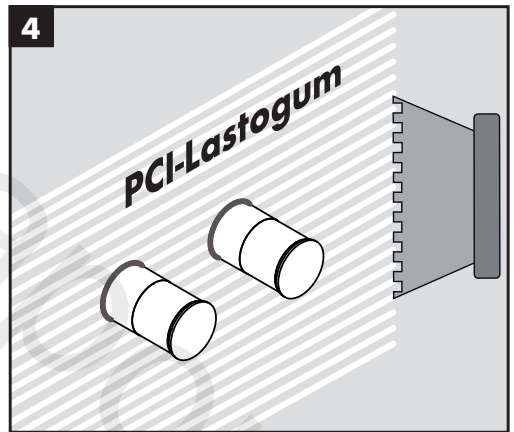
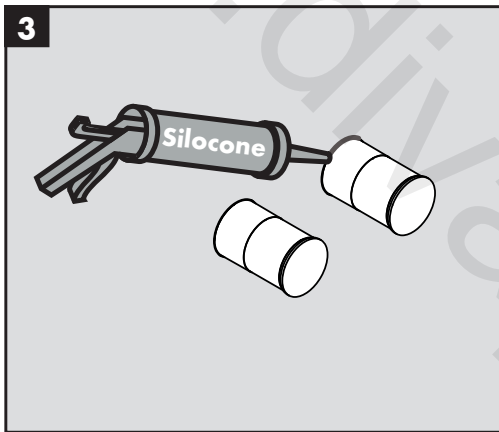
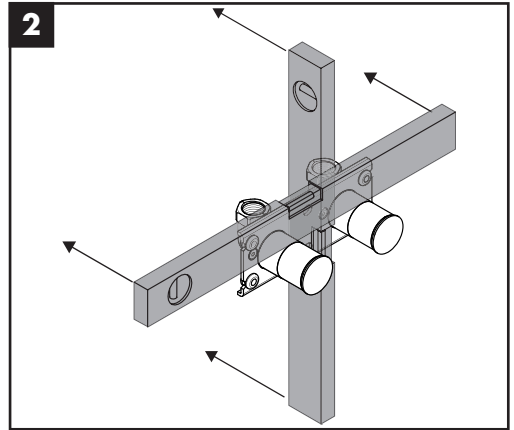
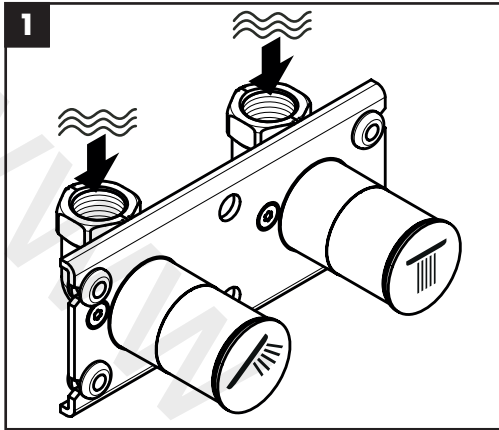


**Spare parts** (see page 3)









---

[www.divapor.com](http://www.divapor.com)

www.divapor.com

**hansgrohe**

Hansgrohe · Auestraße 5 · 9 · D-77761 Schiltach · Telefon +49 (0) 78 36/51-1282 · Telefax +49 (0) 7836/511440  
E-Mail: [info@hansgrohe.com](mailto:info@hansgrohe.com) · Internet: [www.hansgrohe.com](http://www.hansgrohe.com)

9/2019  
9.071.62.51