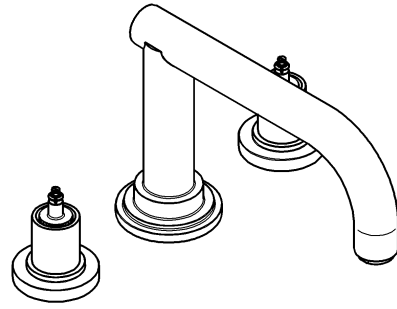
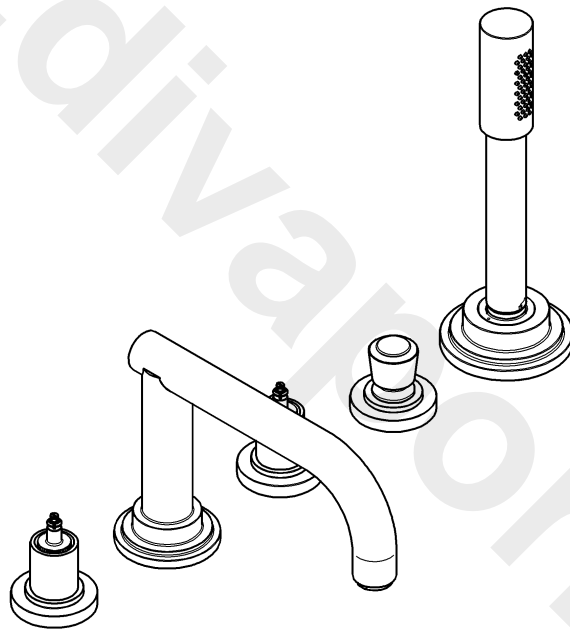


25 064



25 065



Atrio

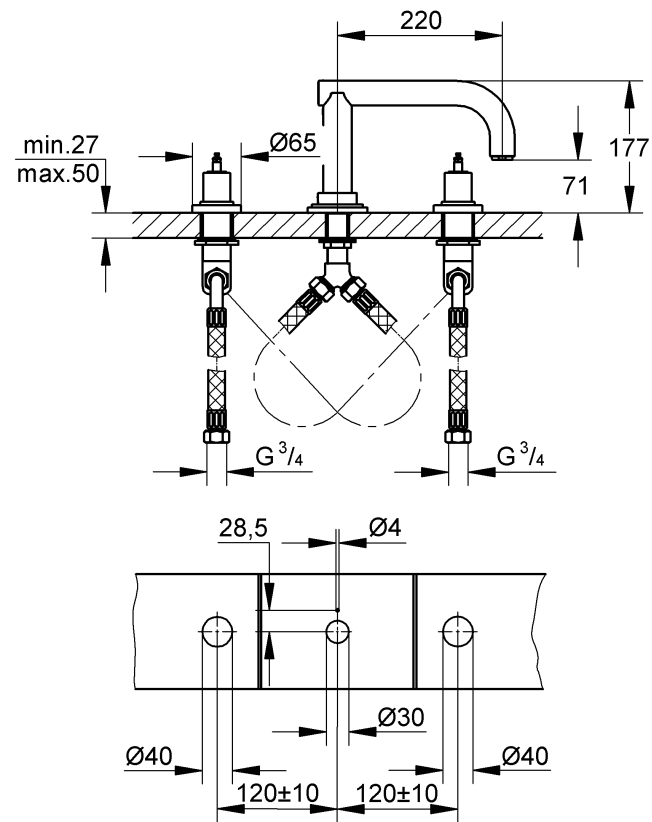
Atrio

GB1

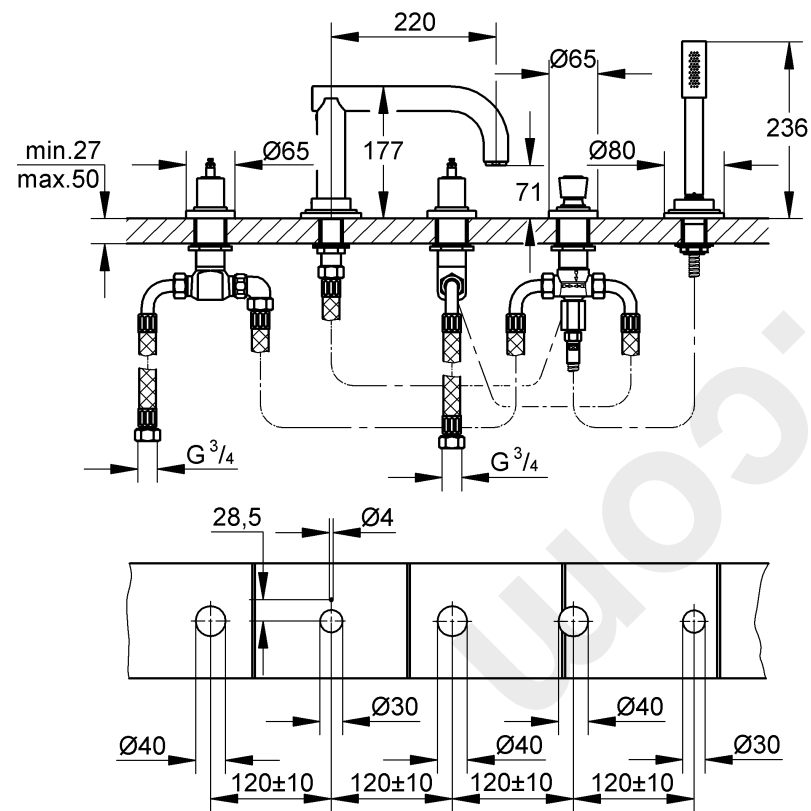
94.691.031/ÄM 200603/02.05

GROHE[®]

25 064

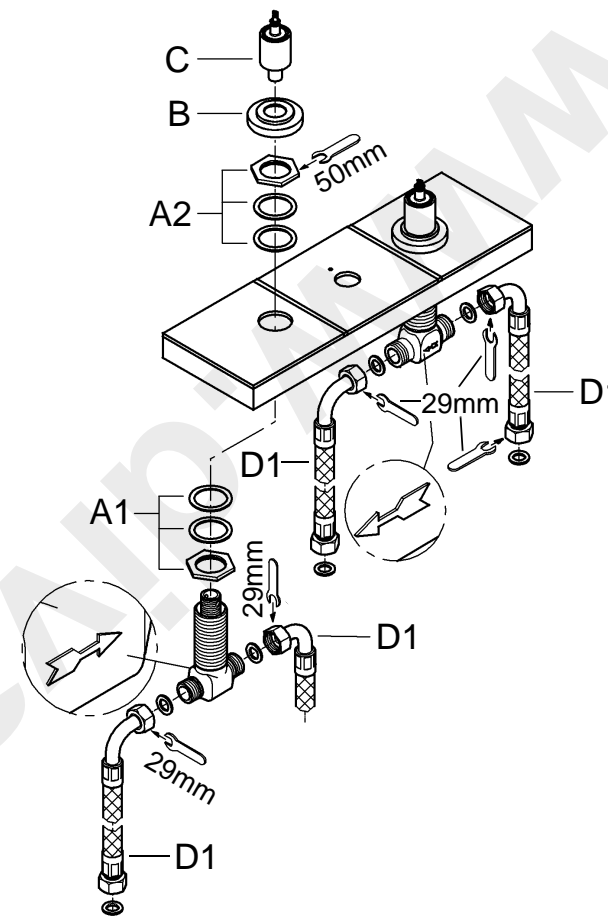


25 065



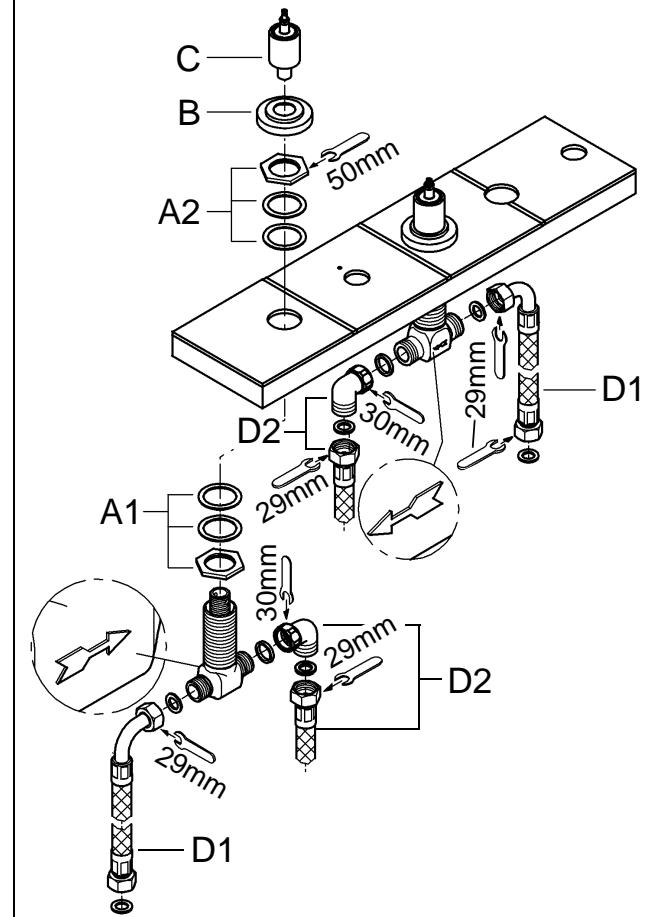
1

25 064

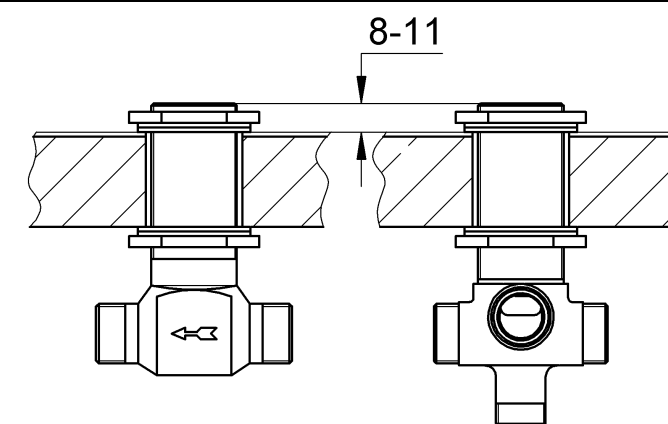


2

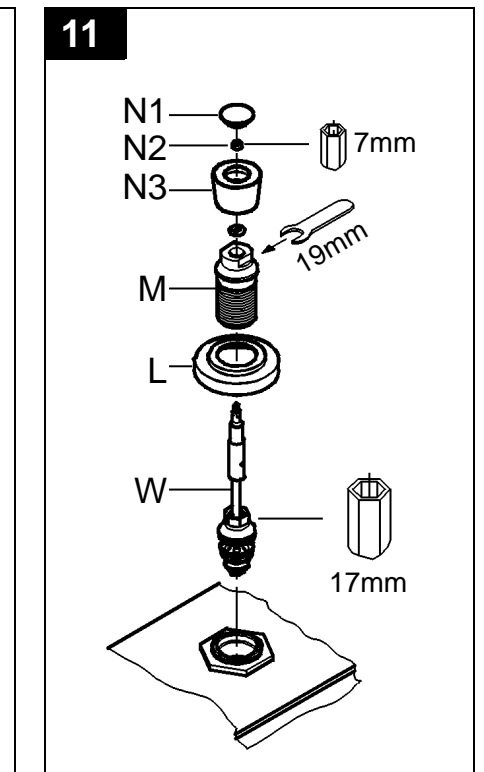
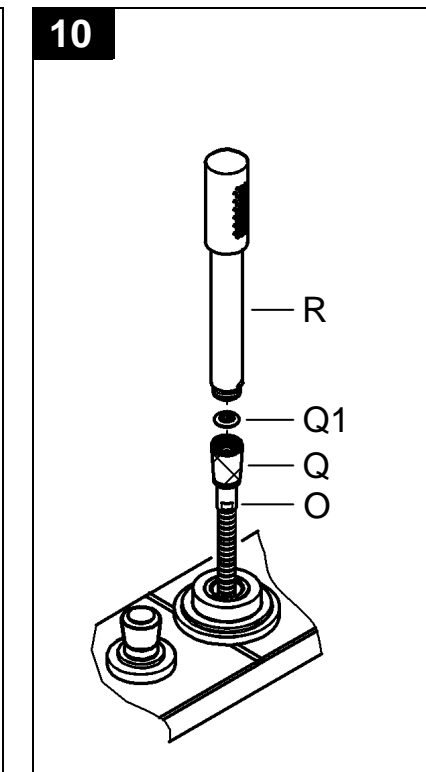
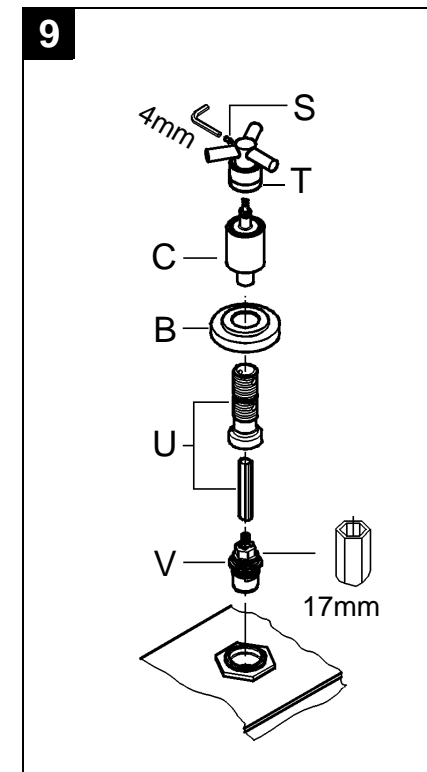
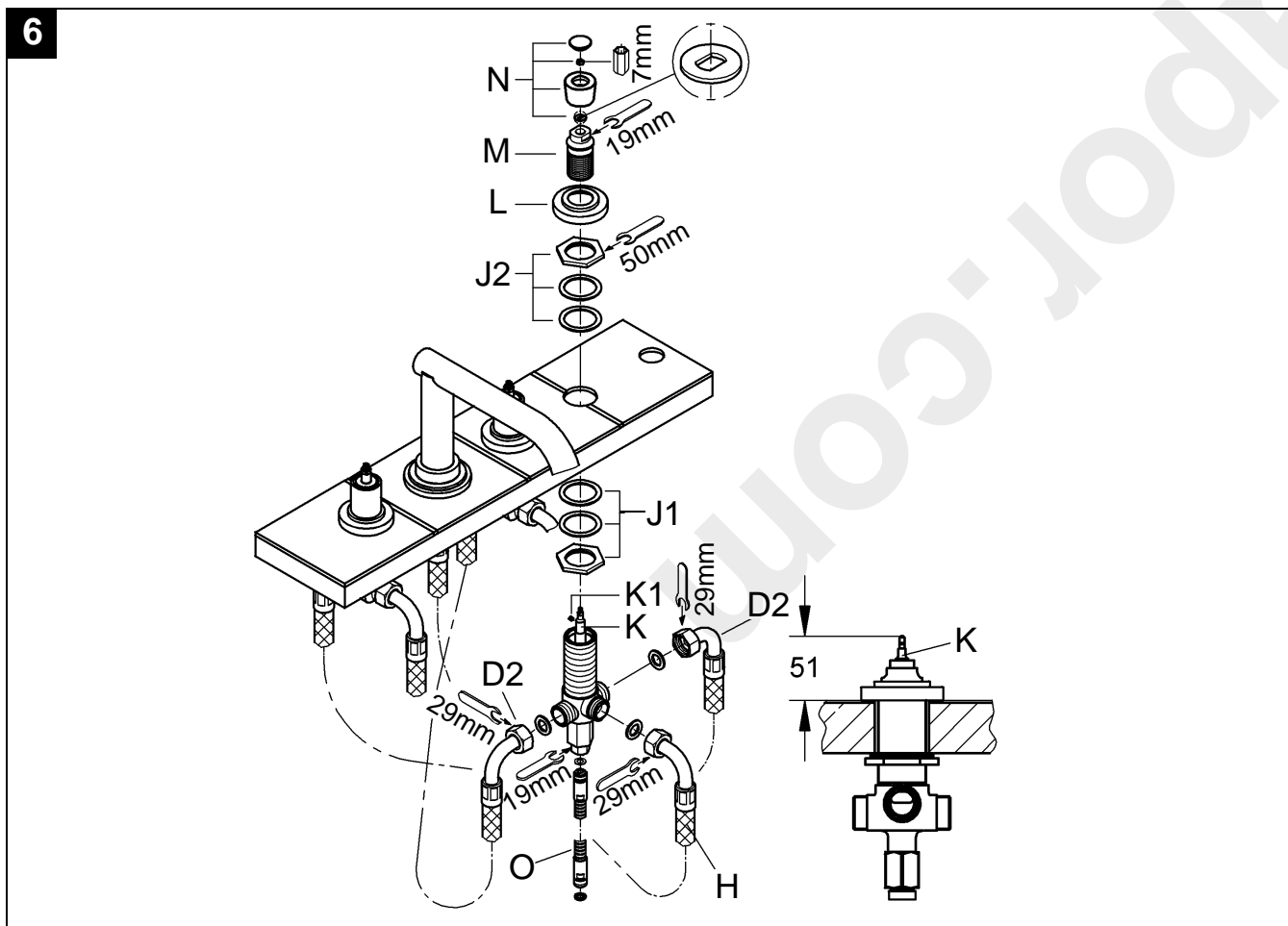
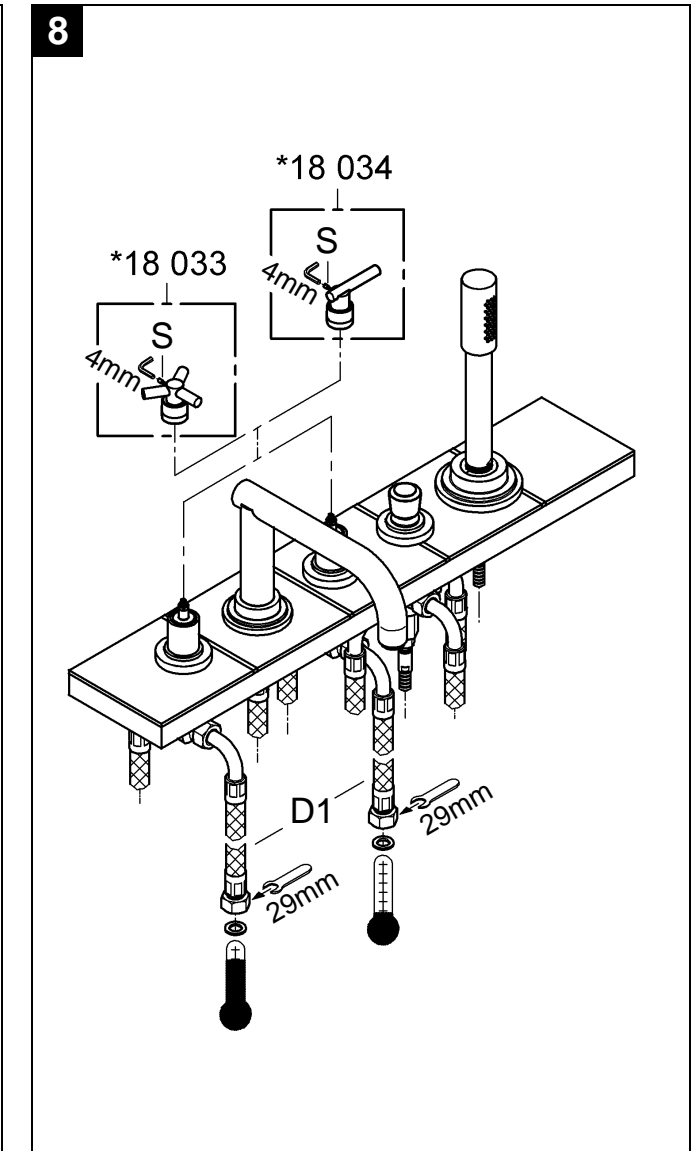
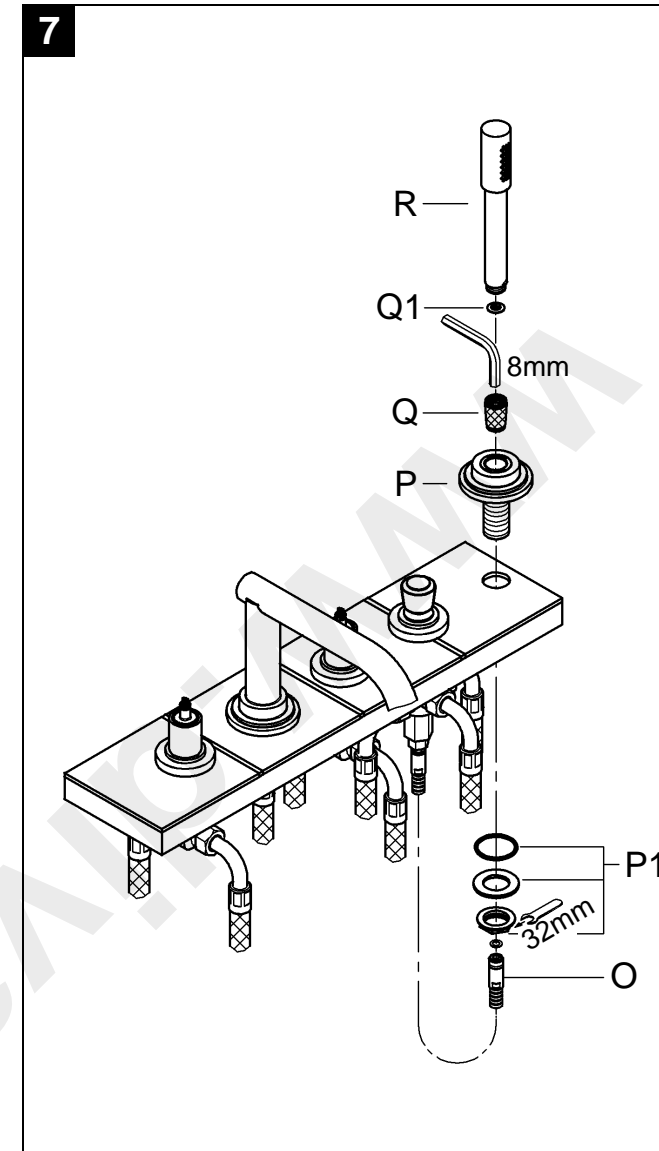
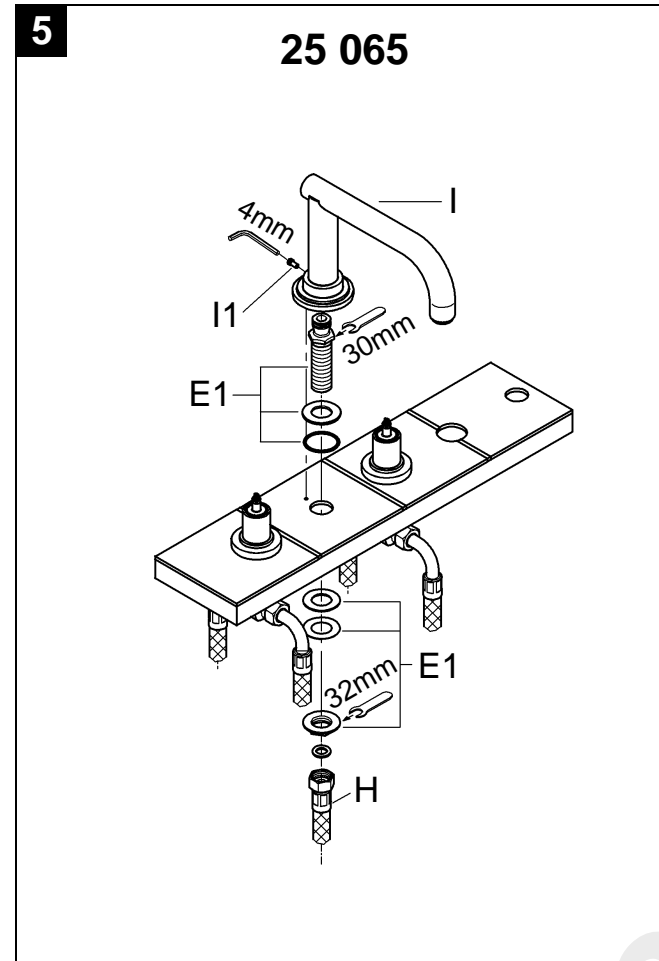
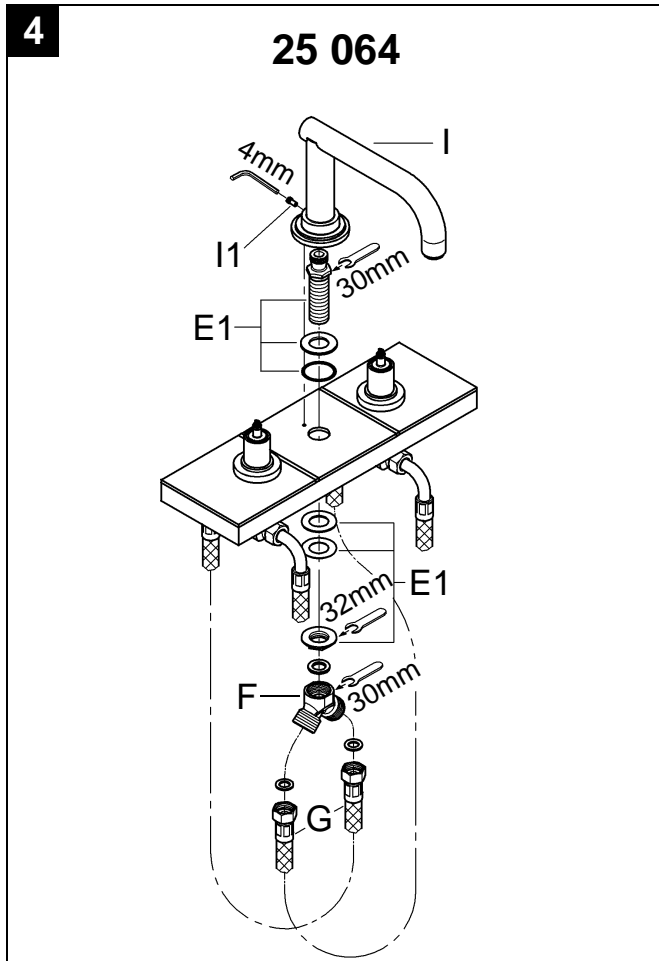
25 065



3



Please pass these instructions on to the end user of the fitting!





Application

Can be used in conjunction with: Pressurised storage heaters, thermally and hydraulically controlled instantaneous heaters. Operation with low-pressure displacement water heaters is **not** possible!

Specifications

- Flow pressure min. 0.5 bar / recommended 1 - 5 bar
- Operating pressure max. 10 bar
- Test pressure 16 bar

If static pressure is greater than 5 bar, fit pressure reducer.
Avoid major pressure differences between cold and hot water supply.

- Flow rate at 3 bar flow pressure: spout 29 l/min
hand shower 16.5 l/min
- Temperature
Hot water inlet: max. 80 °C
Recommended: (energy saving) 60 °C
- Water connection cold - right
hot - left

Installation

Flush pipes thoroughly.

Installation and connection, see fold-out page I and II, Figs. [1] to [8].

Refer to the dimensional drawing on fold-out page I. The dimensional drawing show a form of installation suggested by **GROHE**, for which no further components are required.

Install side valves

, see Figs. [1], [2] and [3].

1. Install mounting and sealing set (A1) on the side valve shank.
2. Fasten the side valve from above using mounting and sealing set (A2).
The distance from the side valve upper edge to the finished surface must be 8 - 11mm, see Fig. [3].
3. Attach escutcheon (B), see Figs. [1] and [2].
4. Attach spindle & sleeve (C).
5. Connect hoses (D1) and (D2) to the side valve.

Install spout

, see fold-out page II, Figs. [4] and [5].

1. Install shank with sealing set (E1).
2. **Prod.-Nr. 25 064**: Screw adaptor (F) to shank and attach hoses (G).
2. **Prod.-Nr. 25 065**: Attach hose (H).
3. Attach spout (I) to shank, insert set screw (I1) using a 4mm allen key.

Install diverter

, see Figs. [3] and [6].

1. Install mounting and sealing set (J1) on the diverter shank, see Fig. [6].
2. Fasten the diverter housing from above using mounting and sealing set (J2).
The distance from the diverter housing upper edge to the finished surface must be 8 - 11mm, see fold-out page I, Fig. [3].
3. Attach spindle (K), see Fig. [6].
The distance from spindle (K) upper edge to the finished surface must be 51mm. Fasten adjusted spindle (K) using set screw (K1).
4. Attach escutcheon (L).
5. Install escutcheon hold down (M).

6. Install diverter knob (N).
7. Attach hoses (D2) from the side valve to the diverter.
8. Attach hose (H) from the spout to the diverter.
9. Attach shower hose (O).

Install hand shower

, see Fig. [7].

1. Attach hose guide (P) using mounting and sealing set (P1).
2. Insert shower hose (O) through hose guide (P).

Avoid crossing the hoses!

3. Attach taper nut (Q) to shower hose (O).
4. Insert seal (Q1) into the taper nut (Q) and attach hand shower (R) to taper nut (Q).

When using the hand shower (R), it must be ensured that spray water does not penetrate the hose guide (P).

Flush pipes thoroughly.

Attach hoses (D1) to the existing connections, see Fig. [8].

The cold-water supply must be connected on the right and the hot-water supply on the left.

Open cold and hot-water supply and check connections for leakage!

Install handles

, see Fig. [8].

- Grease o-ring of handle with special grease supplied.
- Install handles (18 033) or (18 034) and fasten using set screw (S).

Maintenance

Inspect and clean all parts, replace as necessary and grease with special grease (Prod. no. 18 012).

Shut off cold and hot water supply!

I. Headpart

, see Fig. [9].

1. Loosen set screw (S) and remove handle (T).
2. Completely remove pre-mounted spindle & sleeve (C).
3. Remove escutcheon (B).
4. Unscrew extension (U).
5. Unscrew headpart (V) using a 17mm socket spanner.

II. Filter

, see Fig. [10].

1. Pull out the shower hose (O) and secure against sliding back.
2. Unscrew hand shower (R) from the taper nut (Q).
3. Clean or replace filter (Q1).
4. Remove spray hose (O).

III. Diverter

, see Fig. [11].

1. Remove diverter knob cap (N1).
2. Remove nut (N2) using a 7mm socket spanner.
3. Detach diverter knob (N3).
4. Remove escutcheon hold down (M) using a 19mm open-ended spanner.
5. Remove escutcheon (L).
6. Remove diverter (W) using a 17mm socket spanner.

IV. Remove non-return valve (X)

, see fold-out page III.

V. Unscrew and clean mousseur (13 927)

, see fold-out page III.

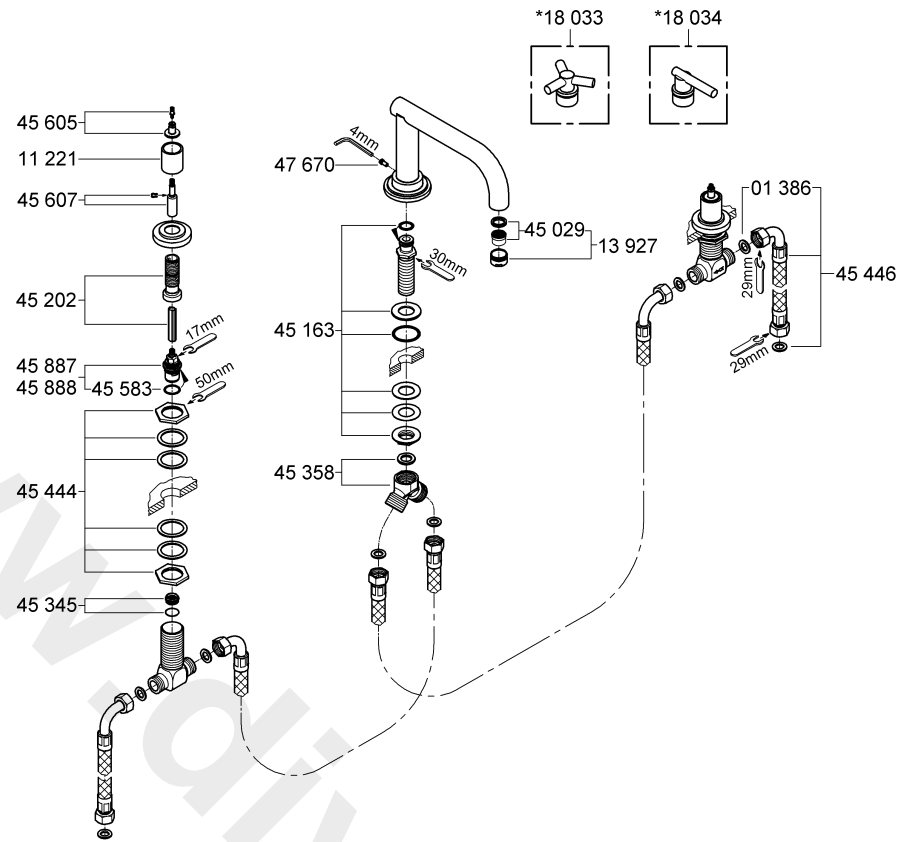
Assemble in reverse order.

Replacement parts, see fold-out page III (* = special accessories).

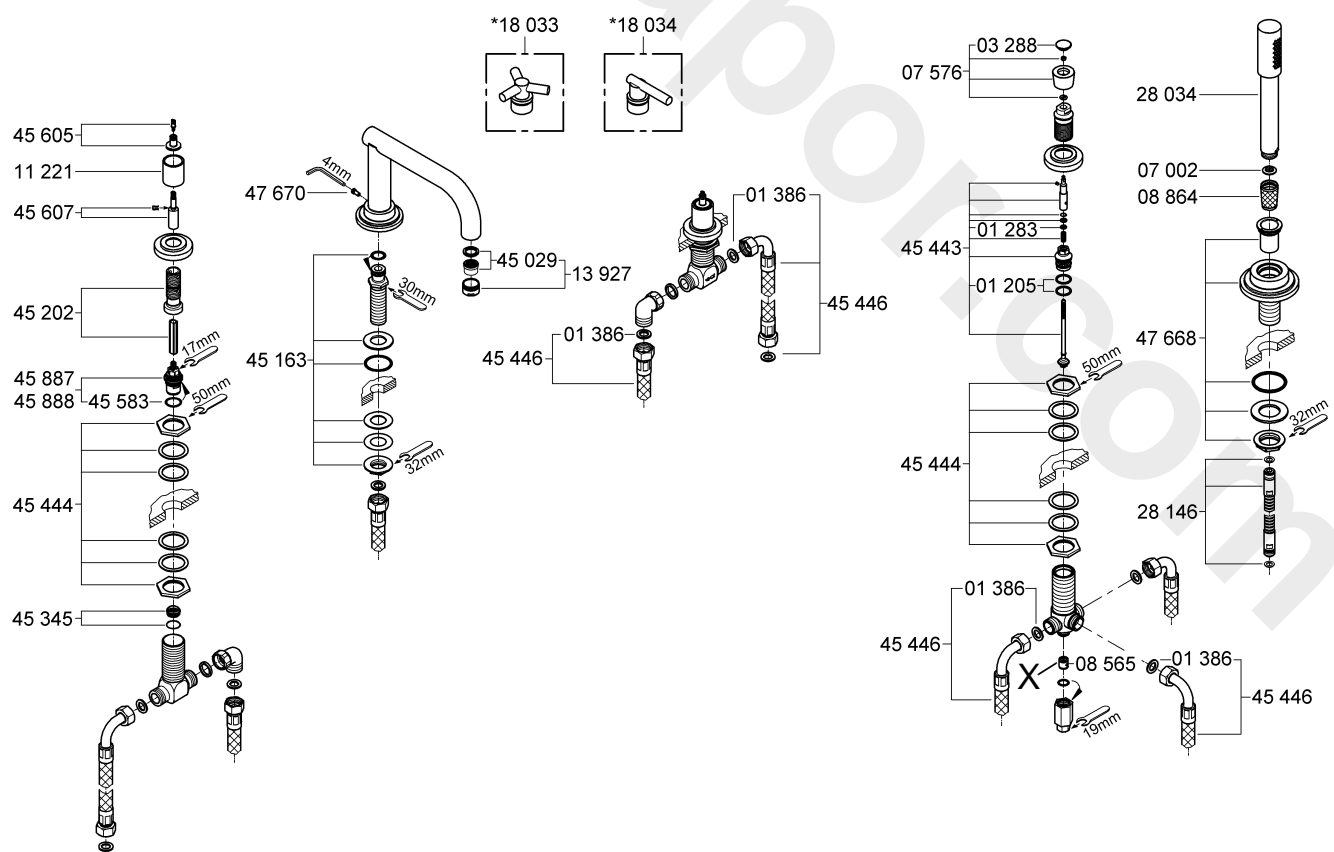
Care

For directions on the care of this fitting, refer to the accompanying Care Instructions.

25 064



25 065



D

Grohe Deutschland
Vertriebs GmbH
Zur Porta 9
D-32457 Porta Westfalica
Tel.: 0 180 2 / 66 00 00
Fax: 0 180 2 / 66 11 11

A

GROHE Ges.m.b.H.
Beichlgasse 6
A-1100 Wien
Tel.: 01 / 68060-0
Fax: 01 / 689 8747

B

GROHE N.V. - S.A.
Diependaalweg 4a
B-3020 Winksele
Tel.: 0 16 / 23 06 60
Fax: 0 16 / 23 90 70

BG

Представителство
Grohe Water Technology
AG & Co. KG
в България
Ралф Шпиринг
Клон 11, П.К. 35
BG-8011 Бургас
тел./факс.: 056 / 841585

CDN

GROHE Canada Inc.
1226 Lakeshore Road East
Mississauga, Ontario
Canada, L5E 1E9
Tel.: 905 / 271 2929
Fax: 905 / 271 9494

CH

Grohe Switzerland SA
Zweigniederlassung Wallisellen
Hertistr. 2
CH-8304 Wallisellen
Tel.: 01 / 877 7300
Fax: 01 / 877 7320

CY

Nicos Theodorou & Sons Ltd.
12 Dimitsanis Str.
P.O. Box 21387
CY-1507 Nicosia
Tel.: 22 / 75 76 71
Fax: 22 / 75 90 85

CZ

Zastoupení
Grohe Water Technology
AG & Co. KG
pro ČR a SR
Veronika Menšíková
Učňovská 100/1
ČR-190 00 Praha 9
Tel./Fax: 02 / 66106462
Tel./Fax: 02 / 66106562

SK

Zastoupení
Grohe Water Technology
AG & Co. KG
pro ČR a SR
Veronika Menšíková
Učňovská 100/1
ČR-190 00 Praha 9
Tel./Fax: 02 / 66106462
Tel./Fax: 02 / 66106562

DK

GROHE A/S
Walgerholm 11
DK-3500 Vaerloese
Tel.: 0045 / 44 65 68 00
Fax: 0045 / 44 65 02 52

E

GROHE España S.A.
C/ Botanica, 78 - 88
Gran Via L'H - Distr. Econòmic
E-08908 L'Hospitalet de
Llobregat (Barcelona)
Tel.: 93 / 3 36 88 50
Fax: 93 / 3 36 88 51

EST

ALPIGRO OÜ
Alar Pihlak
Jõe 5
EST-10151 Tallinn
Tel.: 00372 / 6261204
Fax: 00372 / 6261204

LT

ALPIGRO OÜ
Alar Pihlak
Jõe 5
EST-10151 Tallinn
Tel.: 00372 / 6261204
Fax: 00372 / 6261204

LV

ALPIGRO OÜ
Alar Pihlak
Jõe 5
EST-10151 Tallinn
Tel.: 00372 / 6261204
Fax: 00372 / 6261204

F

GROHE S.à.r.l.
11, Rue des Peupliers
F-92130 Issy-les-
Moulineaux
Tel.: 01 / 46 62 50 00
Fax: 01 / 46 62 61 10

FIN

Oy Teknocalor Ab
Sinikellonkuja 4
FIN-01300 Vantaa
Tel.: 00358 / (0)9-825 4600
Fax: 00358 / (0)9-826 151

GB

GROHE Limited
1, River Road
GB-Barking,
Essex, IG11 OHD
Tel.: 0208 / 5 94 72 92
Fax: 0208 / 5 94 88 98

GR

Nikos Sapountzis S.A.
86, Kapodistriou & Roumelis Str.
GR-142 35 N. Ionia - Athens
Tel.: 010 / 2 71 29 08
Fax: 010 / 2 71 56 08

H

GROHE Hungary Kft.
Kereskedelmi Képviselet
H-2040 Budaörs, Liget u. 1.
Tel.: 23 / 422-468
Fax: 23 / 422-469

HR

Giersch GmbH
Damir Pavelić
Maksimirska ul. 98/V
HR-10000 Zagreb
Tel.: 01 / 2331 442
Fax: 01 / 2331 966

I

GROHE S.p.A.
Via Castellazzo Nr. 9/B
I-20040 Cambiago (Milano)
Tel.: 02 / 959401
Fax: 02 / 95940263

IS

BYKO hf.
Skemmuvegi 2
IS-200 Kópavogur
Tel.: 00354 / 515 4000
Fax: 00354 / 515 4099

J

Grohe Japan Ltd.
TRC Building, 3F
1-1 Heiwajima 6-chome,
Ota-ku
Tokyo 143-0006
Tel.: 03 / 32 98-97 30
Fax: 03 / 37 67 38 11

N

GROHE A/S
Karihaugveien 89
N-1086 Oslo
Tel.: 0047 / 22 90 61 10
Fax: 0047 / 22 90 61 20

NL

GROHE Nederland B.V.
Metaalstraat 2
NL-2718SW Zoetermeer
Tel.: 0793 / 68 01 33
Fax: 0793 / 61 51 29

P

GROHE Portugal
Componentes Sanitários, Lda.
Rua Arq. Cassiano Barbosa, 539
1.º Frente Esquerdo
P-4100-009 Porto
Tel.: 00351 / 225 432 980
Fax: 00351 / 225 432 999

PL

GROHE Polska Sp. Z.O.O.
ul. Migdałowa 4
PL - 02-796 Warszawa
Tel.: 022 / 645 12 55 - 57
Fax: 022 / 645 12 58

RUS

Представительство
Grohe Water Technology
AG & Co. KG
в России
ул. Щипок, 11/28, стр. 1
113054 Москва
тел.: 095 / 9374901
факс: 095 / 9374902

RO

EU RO - International S.R.L.
H.-G. Zuhr
B-dul Dimitrie Pompei, nr. 8,
Sector 2
RO-72326 Bukarest
Tel.: +40 (0) 21 212 74 03
Fax: +40 (0) 21 212 67 10

S

GROHE A/S
Box 2063
SE-194 02 Upplands Väsby
Tel.: 0046 / (0)771-14 13 14
Fax: 0046 / (0)771-14 13 15

SLO

GROSAN inženiring d.o.o.
Slandrova 4
SLO-1000 Ljubljana
Tel.: +386 (0) 1 563 3060
Fax: +386 (0) 1 563 3061

TR

GROME İc Ve Dis Ticaret Ltd. Sti.
Ugras Parlar Is Merkezi
Bagdat Cad. No. 303
B Blok D: 12 - 15
TR-81540 Cevizli - Kartal
Istanbul
Tel.: 0216 / 4 41 23 70
Fax: 0216 / 3 70 61 74

UA

Представитель
Friedrich Grohe
AG & Co. KG
в УКРАЇНЕ
Н.И. Топольская
03151 Киев
тел.: +38 (0) 44 2 75 17 34
факс: +38 (0) 44 2 49 94 58

USA

GROHE America Inc.
241 Covington Drive
Bloomington
Illinois, 60108
Tel.: 630 / 582 7711
Fax: 630 / 582 7722

Near and Middle East**Area Sales Office:**

GROME Marketing
(Cyprus) Ltd.
11, Lemesou Avenue
Galatariotis Building
CY-2112 Aglanjia
P.O. Box 27048
CY-1641 Nicosia
Tel.: +357 / 22 / 46 52 00
Fax: +357 / 22 / 37 91 88

Far East Area Sales Office:

GROHE Pacific Pte. Ltd.
260 Orchard Road
08-03/04 The Heeren
Singapore 238855
Tel.: 00 65 6 / 7 38 55 85
Fax: 00 65 6 / 7 38 08 55

Grohe Water Technology AG & Co. KG
Postfach 13 61
58653 Hemer
Tel: 0 23 72 / 93-0, Fax: 0 23 72 / 93 12 22

GROHE

