

ShowerTablet Select
Shower thermostat 400 for exposed installation 2 ticks
 Finish: **Chrome** Article Number: **24360009**

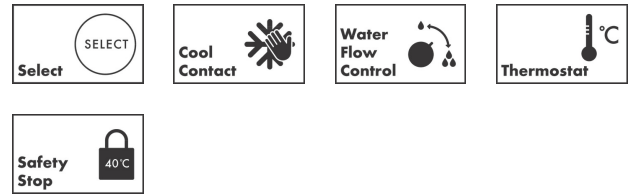


Description

product features

- 1 function
- Select push-button on/off control for 1 outlet
- hand shower holder integrated in the shelf
- CoolContact thermostat: Prevents the housing from heating up, making showering even safer
- maximum flow rate at 3 bar: 5,8 l/min
- min. operating pressure: 1 bar
- max. operating pressure: 10 bar
- Safety stop at 40 °C
- temperature limitation adjustable
- with isolated water conduction
- non-return valve
- with silencer
- suitable for continuous flow water heaters
- shelf made of plastic
- surface shelf: graphite
- material handles: plastic
- centre distance: 150 ± 12 mm
- connection type: G ½
- dirt filter included
- thermostat is delivered with button hand shower

Technology



Design awards

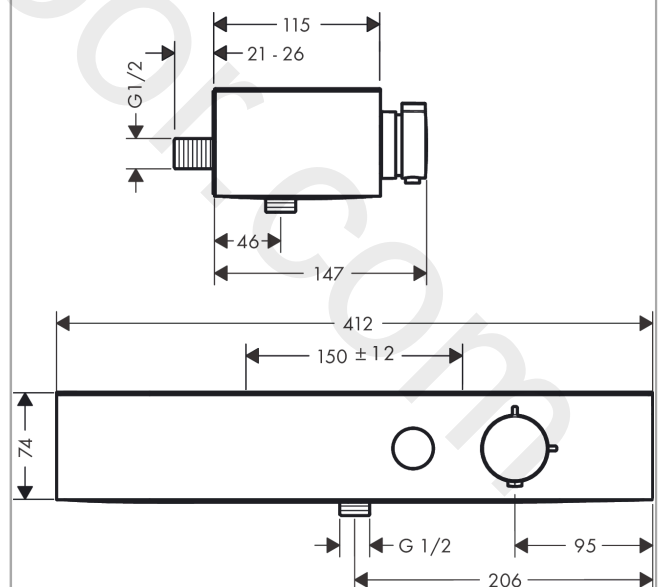


reddot winner 2021

Product image



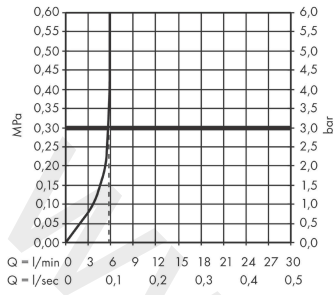
Scale drawing



ShowerTablet Select
Shower thermostat 400 for exposed installation 2 ticks
 Finish: **Chrome** Article Number: **24360009**



Flowchart



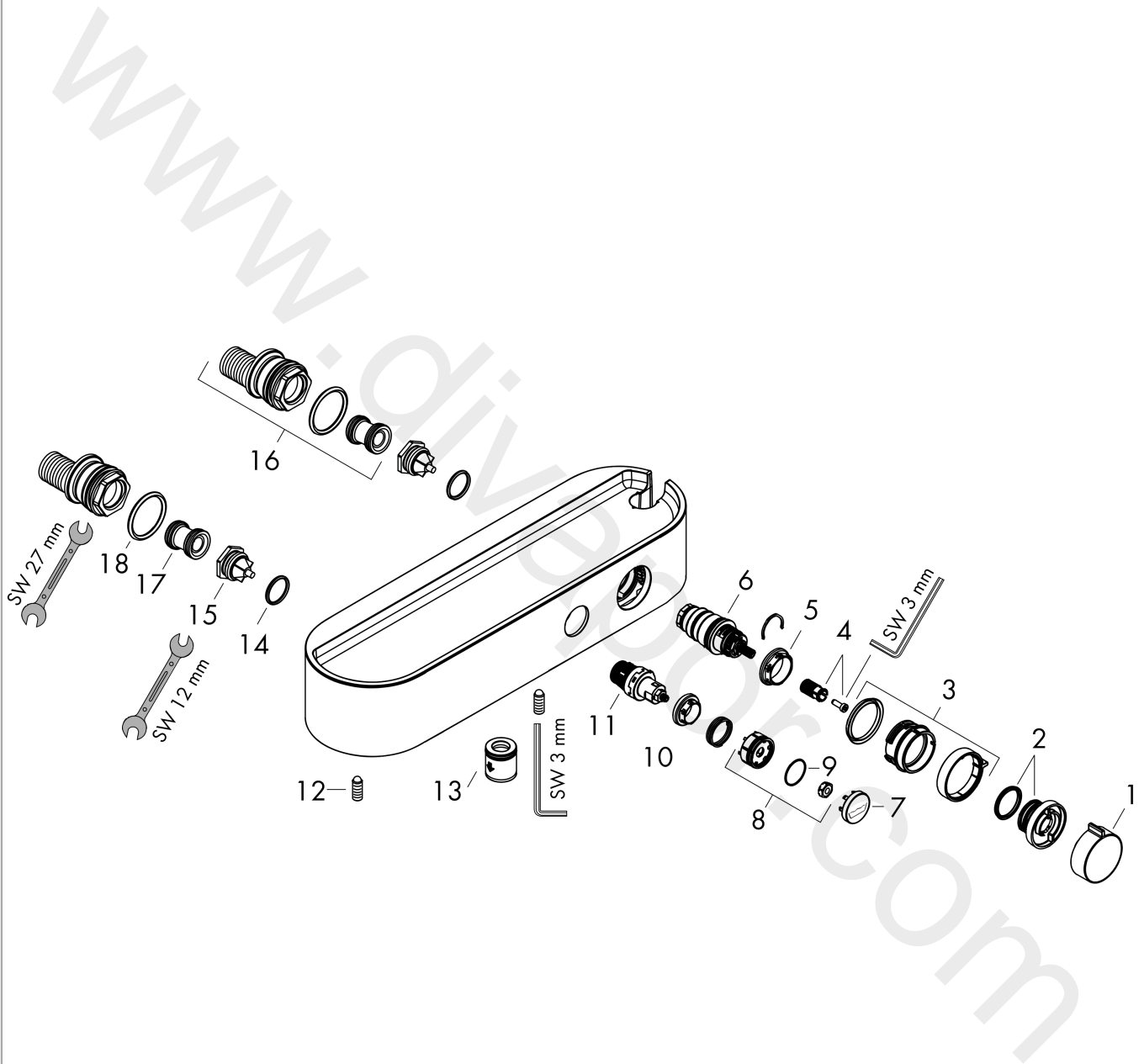
www.divapor.com

ShowerTablet Select
Shower thermostat 400 for exposed installation 2 ticks
 Finish: **Chrome** Article Number: **24360009**



Exploded Drawing

Year of production: >04/22



ShowerTablet Select
Shower thermostat 400 for exposed installation 2 ticks
 Finish: **Chrome** Article Number: **24360009**



Spare part list

Year of production: >04/22

Pos.	Description	Article Number	Price	PU
1	handle	94403000	£ 43,00	1
2	safety set	94404000	£ 43,00	1
3	handle	94405000	£ 25,00	1
4	handle fixing set	92136000	£ 20,50	1
5	nut	98913000	£ 20,50	1
6	thermostat cartridge	98282000	£ 110,00	1
7	set of symbols	98367000	£ 51,00	1
8	spring with sleeve	92340000	£ 13,30	1
9	O-ring 20x1	98140000	£ 3,30	1
10	shut off unit	95758000	£ 110,00	1
11	hollow set screw M6x16 including o-ring 29x3	98372000	£ 9,00	1
12	nut	98368000	£ 13,30	1
13	O-ring 17x2	98199000	£ 3,30	1
14	non return valve (pressure-resistant up to 2 MPa)	95773000	£ 35,00	1
15	set of S-unions	95772000	£ 96,00	1
16	noise reduction	96429000	£ 6,10	1
17	O-ring 29x3	98371000	£ 6,10	1
a	cartridge for exchanged connections	92373000	£ 275,00	1