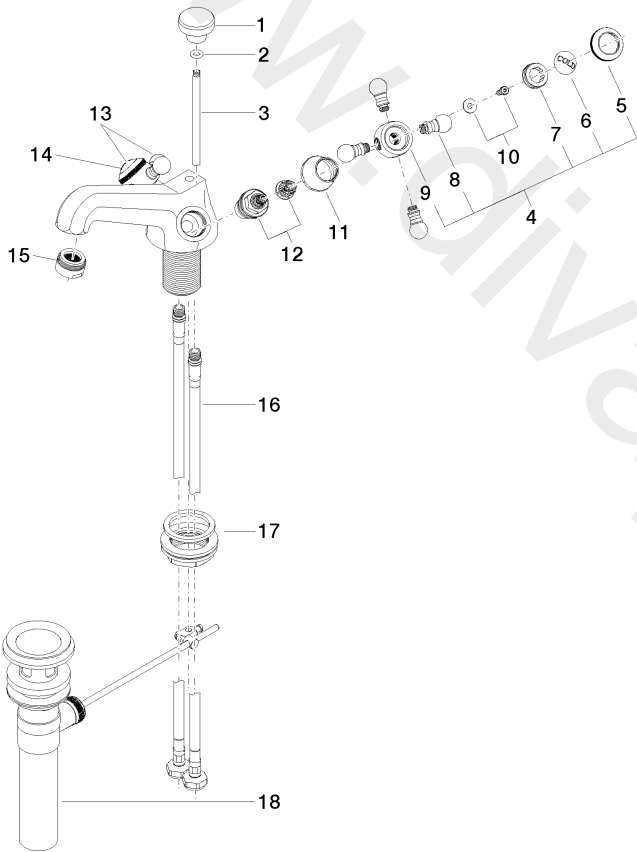


Sink - MADISON

Single-hole lavatory mixer with drain - Chrome

Article number: 22 500 360-00 0010

Date of manufacture from 9/1/2021





## Sink - MADISON

Single-hole lavatory mixer with drain - Chrome

Article number: 22 500 360-00 0010

Date of manufacture from 9/1/2021

### Spare parts list

Position	Number of units	Item Number	Spare part	Lead time
1	1	09 20 36 030-00	handle	10
2	1	09 14 10 062 90	seal	2
3	1	09 31 09 004-00	pull-rod	10
4	1	04 20 36 002 06-00	handle ( cold )	10
5	2	09 20 36 005-00	handle	10
6	1	09 26 01 010 90	accessories	2
7	2	09 20 83 006 90	handle	2
8	8	09 20 36 004-00	handle	10
9	2	09 20 36 002-00	handle	10
10	2	04 30 30 029 00 90	fixing set	2
11	2	09 21 02 055-00	cover	10
12	2	90 90 03 151 00 90	top	2
13	1	04 20 36 002 07-00	handle ( hot )	10
14	1	09 26 01 011 90	accessories	2
15	1	90 23 01 118 04-00	aerator	10
16	2	04 30 04 106 00 90	hose	2
17	1	04 23 10 009 01 90	fixing set	2
18	1	04 11 01 023 00-00	Drain US 1 1/4" - Chrome	2