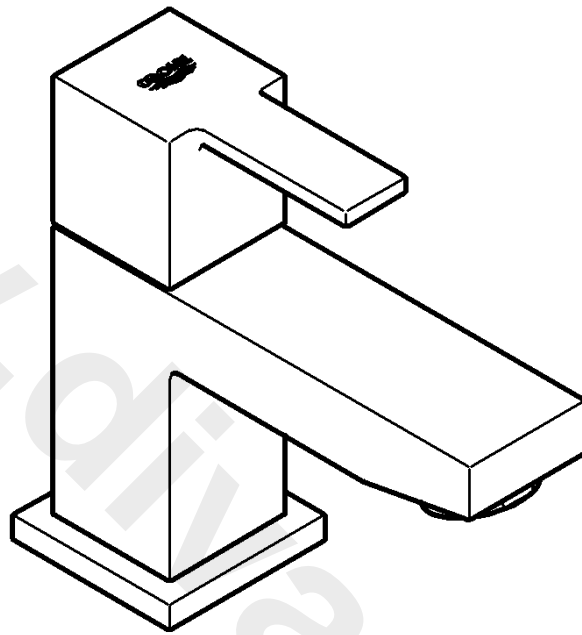


20 380

BauMetric



## BauMetric

Ⓞ CN .....1

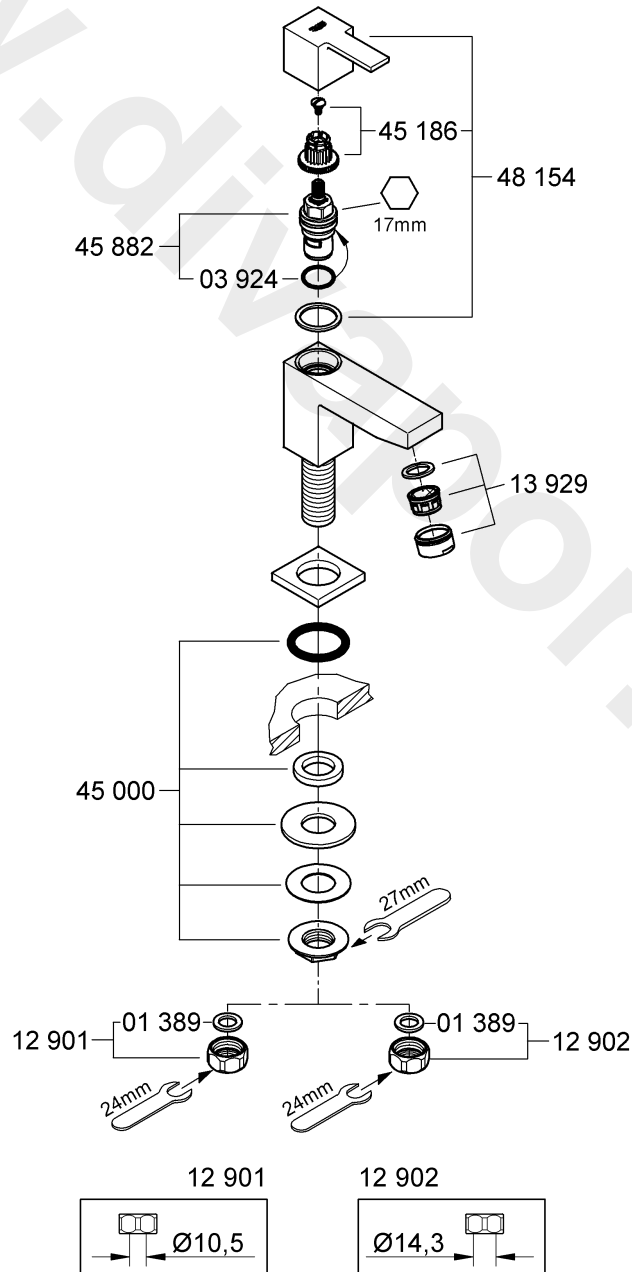
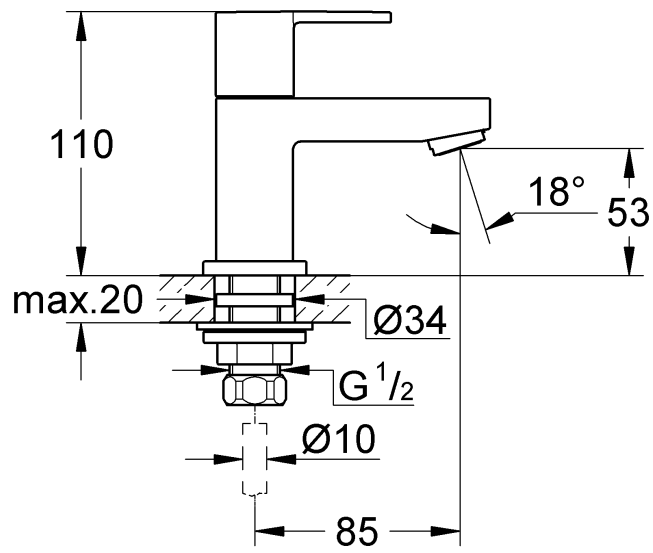
Ⓞ GB .....1

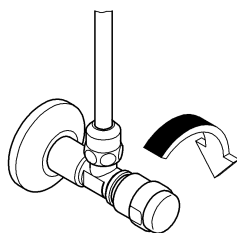
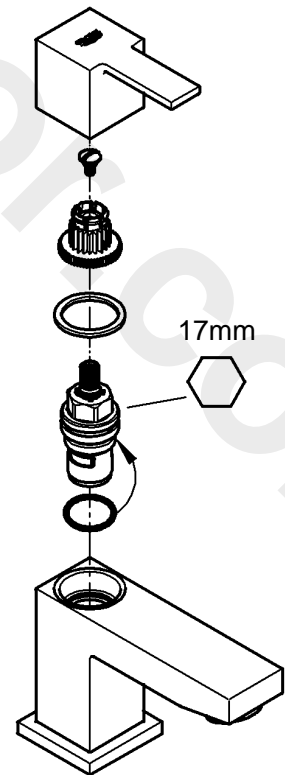
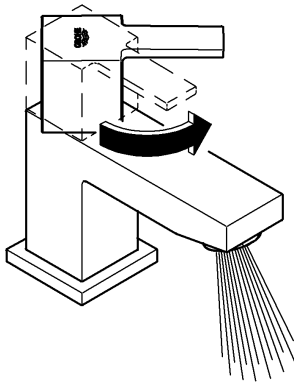
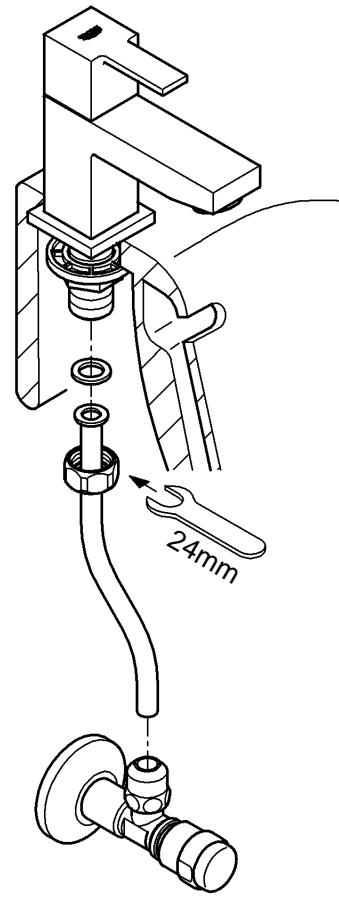
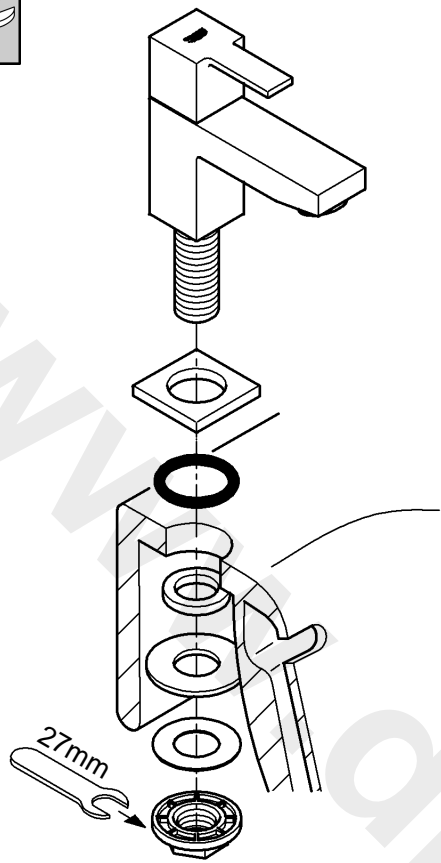
Ⓞ D .....2

Design & Quality Engineering GROHE Germany

99.732.031/ÄM 223902/04.12

**GROHE**  
  
ENJOY WATER®







本产品技术信息专为安装人员或经过培训的专业人员提供。  
请向用户提供这些说明。

#### 应用:

单控水龙头的用途

- 直接连接冷水进水管
- 连接混合水的出水管口

#### 规格

水流压力:	最小 0.5 公斤—推荐使用 1 – 5 公斤
工作压力:	最大 10 公斤
测试压力:	16 公斤
水流压力为 3 公斤时的流量:	约为 12.5 升 / 分钟
热水入水口温度	最高 80 °C
推荐 (节能):	60 °C

如果静压超过 5 公斤，必须加装减压阀。



**安装:**  
安装前后务必彻底冲洗所有管件 (考虑到 EN 806)。



**功能:**  
检查连接是否有渗漏现象，并检查龙头的功能。



**维护:**  
**检查和清洁所有部件，根据需要更换部件。**  
维护时应关闭进水。



**备件:** 参见分解图  
(\* = 特殊零件)

**保养:** 参见“保养指南”



**This technical product information is exclusively for the installer or trained specialists. Please pass these instructions on to the user.**

#### Application:

Pillar usefull for:

- directly connection to cold water supply
- connection to outflow of mixed water supply

#### Specifications

Flow pressure:	min. 0.5 bar – recommended 1 – 5 bar
Operating pressure:	max. 10 bar
Test pressure:	16 bar
Flow rate at 3 bar flow pressure:	approx. 12.5 l/min
Hot water inlet temperature	max. 80 °C
Recommended (energy saving):	60 °C

If static pressure exceeds 5 bar, a pressure-reducing valve must be fitted.



**Installation:**  
Flush piping system prior and after installation of fitting thoroughly (Consider EN 806)!



**Function:**  
Check connections for leaks and check function of fitting.



**Maintenance:**  
**Inspect and clean all components and replace if necessary.**  
Shut off water supply for maintenance work.



**Replacement parts:** see exploded drawing  
(\* = special accessories)

**Care:** see Care Instructions



## **Grohe China**

Unit 607-610, Central Plaza  
227 North Huangpi Road  
200003 Shanghai  
Tel +86 (0) 21 63758878  
Fax +86 (0) 21 63758665  
www.grohe.cn

## **Grohe Hong Kong**

Unit 3909, 39/F, AIA Tower  
183 Electric Road  
North Point  
Hong Kong  
Tel +852 2806 0611  
Fax +852 2806 1102  
www.grohe.hk

## **Grohe India**

Unit no. 218, 2nd Floor, Splendour Forum  
Jasola Distt. Centre  
New Delhi 110044  
National Toll-free 1 800 102 4475  
Fax: +91 11 40 62 20 18  
www.grohe.co.in

## **Grohe Indonesia**

Regus, Suite 4507 / 4508 / 4510. Menara  
BCA, 45th Floor  
Jl. M.H. Thamrin, No.1  
10301 Jakarta  
National Toll-free 001 8036570 62  
Tel +62 21 2358 4751  
Fax +62 21 2358 5601  
www.grohe.co.id

## **Grohe Japan**

TRC Building, 3F  
1-1 Heiwajima 6-chrome, Ota-ku  
Tokyo 143-0006  
Tel +81 3 3298 9730  
Fax +81 3 3767 3811  
www.grohe.co.jp

## **Grohe Korea**

18F KyoungAm Building  
157-27 Samsung-dong Gangnam-gu  
Seoul 135-090  
Tel +82 2 3450 1718  
Fax +82 2 3450 1730  
www.grohe.co.kr

## **Grohe Malaysia**

Unit 19, Level 36 Menara Citibank  
165 Jalan Ampang  
50400 Kuala Lumpur  
National Toll Free Line 1 800 80 6570  
www.grohe.my

## **Grohe Philippines**

18th Floor Philamlife Tower  
8767 Paseo de Roxas  
Makati City 1226  
Tel +63 2 8149570  
Fax +63 2 8308489

## **Grohe Singapore**

180 Clemenceau Avenue  
# 01-01/02 Haw Par Centre  
Singapore 239922  
Tel +65 6311 3611  
Fax +65 6738 0855  
www.grohe.sg

## **Grohe Thailand**

Q-House Lumpini Level 27, No.1 South  
Sathorn Road,  
Tungmahamek, Sathorn  
10120 Bangkok  
Tel: +66 2610 3685  
www.grohe.co.th

## **Grohe Vietnam**

Crescent 2 Building, Units 09-10  
107 Ton Dat Tien Street  
Tan Phu Ward, District 7  
Ho Chi Minh City  
Tel +84 8 5413 6840  
www.grohe.com.vn