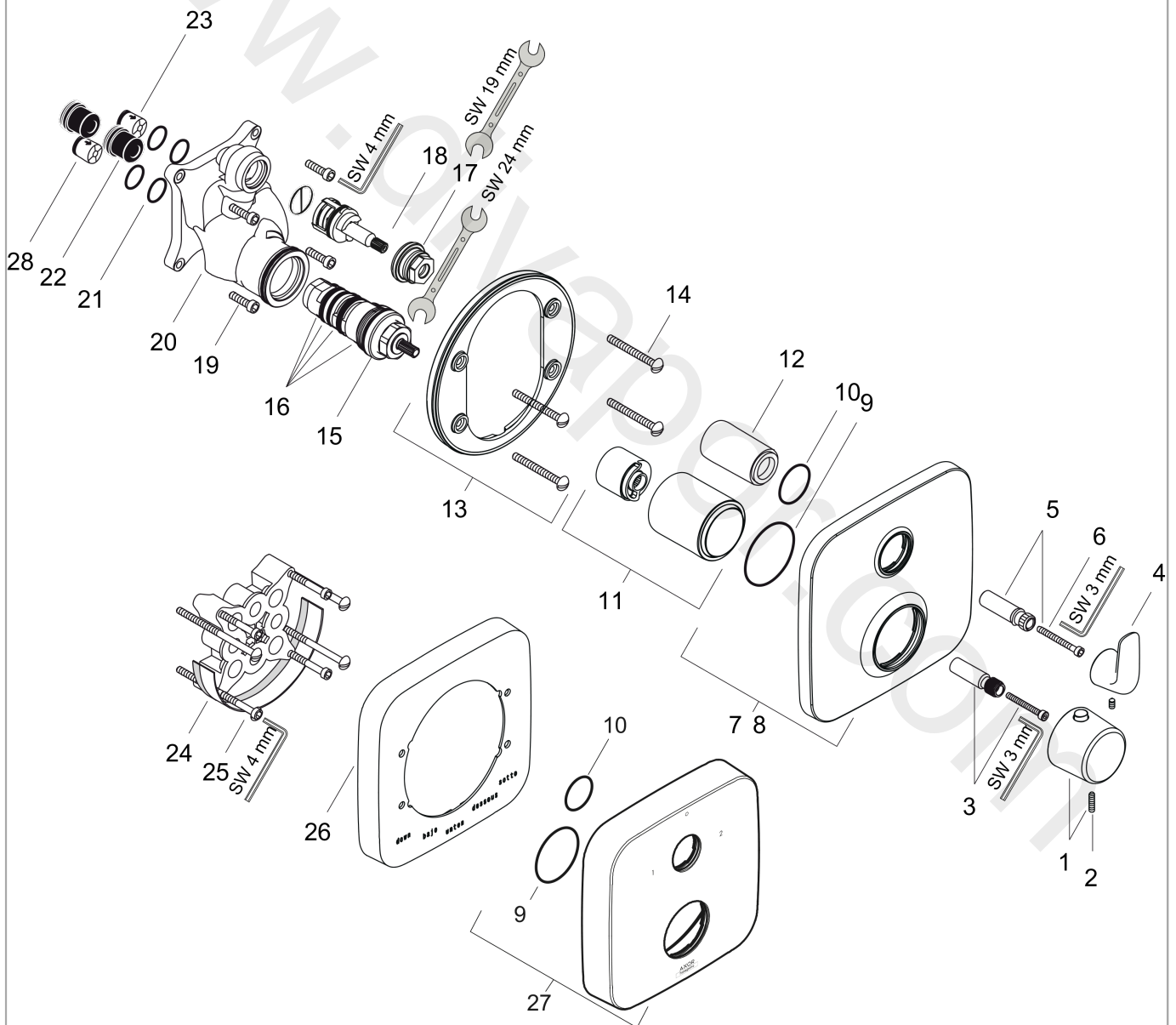


AXOR Bouroullec
Thermostatic mixer for concealed installation with shut-off/ diverter valve
 Surfaces: Article Number: **19706000**



Exploded Drawing

Year of production: **10/10 - 12/17**



AXOR Bouroullec

Thermostatic mixer for concealed installation with shut-off/ diverter valve

Surfaces: Article Number: **19706000**



Spare part list

Year of production: **10/10 - 12/17**

Pos.		Article Number	Price	PU
1	handle for thermostat	95716000	£ 96,00	1
2	hollow set screw M4x8	97669000	£ 3,30	1
3	adapter for handle	98701000	£ 9,00	1
4	handle	95718000	£ 51,00	1
5	adapter for handle	96451000	£ 16,10	1
6	hexagon socket screw M4x35	92160000	£ 3,30	1
7	escutcheon	95719000	£ 224,00	1
8	escutcheon for exchanged connections	95831000	£ 224,00	1
9	O-Ring 48x3	95508000	£ 3,30	1
10	O-ring 29x3	98371000	£ 6,10	1
11	sleeve	98734000	£ 79,00	1
12	sleeve	96446000	£ 35,00	1
13	holder for escutcheon	98793000	£ 43,00	1
14	set of fixing screws	96454000	£ 9,00	1
15	thermostat cartridge	94282000	£ 137,00	1
16	sealing set	95037000	£ 51,00	1
17	nut	92853000	£ 9,00	1
18	shut off unit with selector	96509000	£ 96,00	1
19	set of screws	96525000	£ 9,00	1
20	installation unit cpl.	92591000	£ 370,00	1
21	O-ring 16x2	98133000	£ 3,30	1
22	noise reduction	94073000	£ 25,00	1
23	set of non return valves DW 15	94074000	£ 16,10	1
24	extension 25 mm	13595000	£ 75,00	1
25	set of fixing screws	97747000	£ 3,30	1
26	extension 22 mm	19427000	£ 96,00	1
27	escutcheon height = 33 mm (when wall is not deep enough).	14973000	£ 87,00	1
28	non return valve (pressure-resistant up to 2 MPa)	92594000	£ 16,10	1
a	concealed item	01800180	£ 163,00	1
b	non return valve with filter	92499000	£ 16,10	1