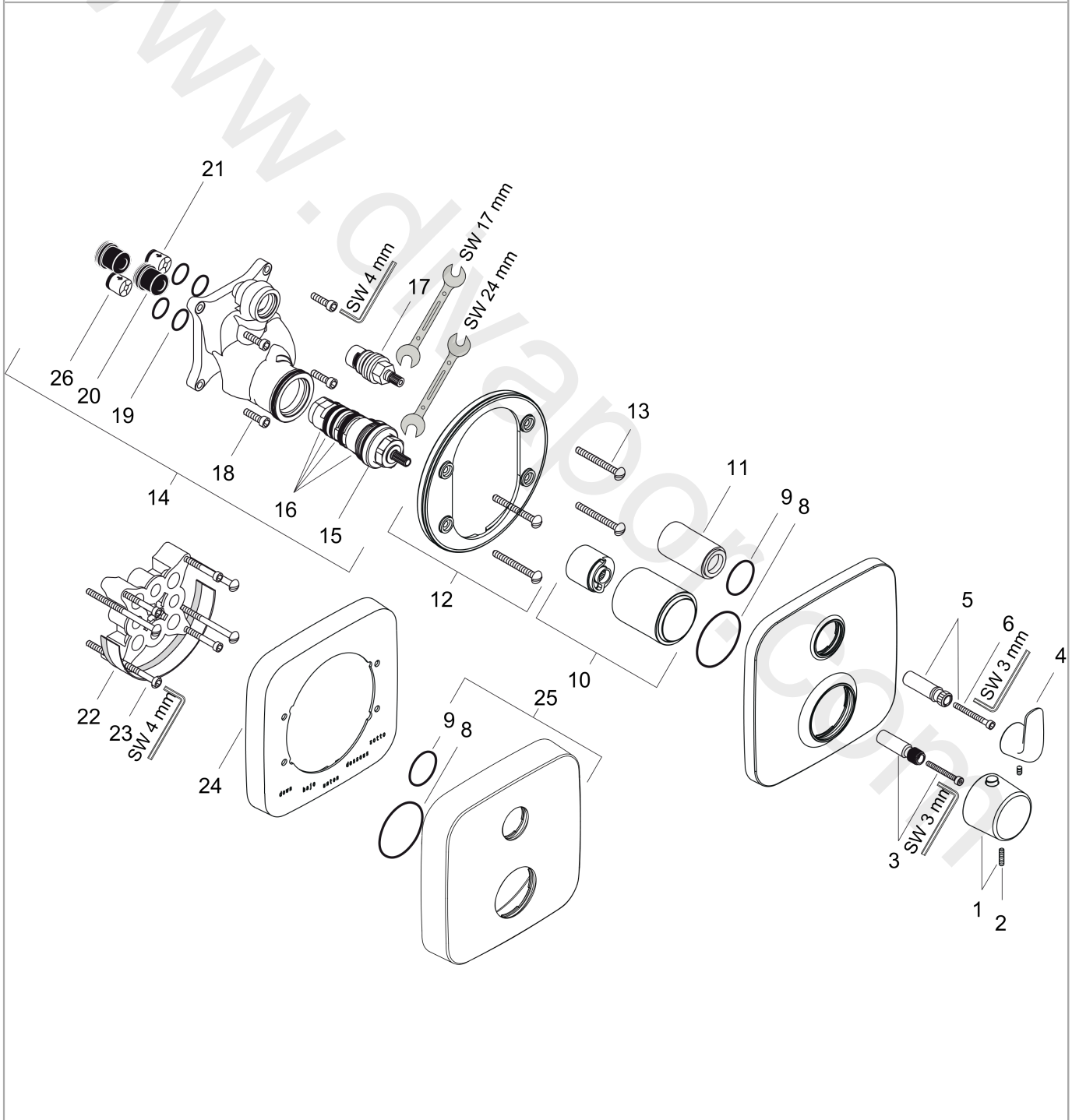


AXOR Bouroullec
Thermostatic mixer for concealed installation with shut-off valve
 Surfaces: Article Number: **19704000**



Exploded Drawing

Year of production: **10/10 - 12/17**



AXOR Bouroullec
Thermostatic mixer for concealed installation with shut-off valve
 Surfaces: Article Number: **19704000**



Spare part list

Year of production: **10/10 - 12/17**

Pos.		Article Number	Price	PU
1	handle for thermostat	95716000	£ 96,00	1
2	hollow set screw M4x8	97669000	£ 3,30	1
3	adapter for handle	98701000	£ 9,00	1
4	handle	95718000	£ 51,00	1
5	adapter for handle	96451000	£ 16,10	1
6	hexagon socket screw M4x35	92160000	£ 3,30	1
7	escutcheon	95717000	£ 224,00	1
8	O-Ring 48x3	95508000	£ 3,30	1
9	O-ring 29x3	98371000	£ 6,10	1
10	sleeve	98734000	£ 79,00	1
11	sleeve	96446000	£ 35,00	1
12	holder for escutcheon	98793000	£ 43,00	1
13	set of fixing screws	96454000	£ 9,00	1
14	installation unit cpl.	92760000	£ 275,00	1
15	thermostat cartridge	94282000	£ 137,00	1
16	sealing set	95037000	£ 51,00	1
17	shut off unit right closing	94009000	£ 43,00	1
18	set of screws	96525000	£ 9,00	1
19	O-ring 16x2	98133000	£ 3,30	1
20	noise reduction	94073000	£ 25,00	1
21	set of non return valves DW 15	94074000	£ 16,10	1
22	extension 25 mm	13595000	£ 75,00	1
23	set of fixing screws	97747000	£ 3,30	1
24	extension 22 mm	19427000	£ 96,00	1
25	escutcheon height = 33 mm (when wall is not deep enough).	14974000	£ 90,00	1
26	non return valve (pressure-resistant up to 2 MPa)	92594000	£ 16,10	1
a	concealed item	01800180	£ 163,00	1
b	non return valve with filter	92499000	£ 16,10	1