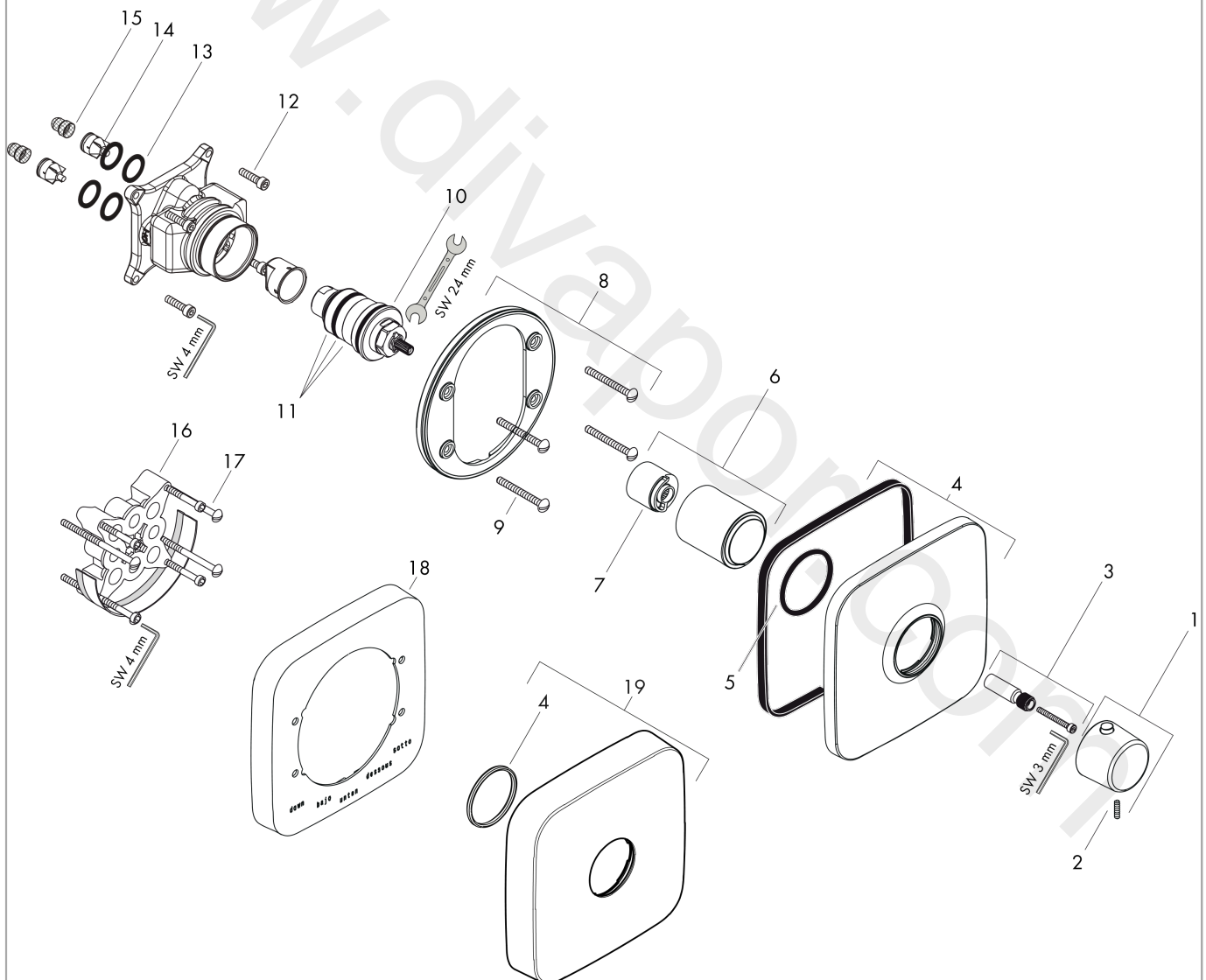


**AXOR Bouroullec**  
**Thermostatic mixer highflow 59 l/min for concealed installation**  
Surfaces: Article Number: **19702000**



## Exploded Drawing

Year of production: **02/12 - 12/17**



**AXOR Bouroullec**  
**Thermostatic mixer highflow 59 l/min for concealed installation**  
 Surfaces: Article Number: **19702000**



## Spare part list

Year of production: **02/12 - 12/17**

Pos.		Article Number	Price	PU
1	handle for thermostat	95716000	£ 96,00	1
2	hollow set screw M4x8	97669000	£ 3,30	1
3	adapter for handle	98701000	£ 9,00	1
4	escutcheon	95721000	£ 173,00	1
5	O-Ring 48x3	95508000	£ 3,30	1
6	sleeve	98679000	£ 79,00	1
7	safety set for temperature control	97334000	£ 13,30	1
8	holder for escutcheon	98793000	£ 43,00	1
9	set of fixing screws	96454000	£ 9,00	1
10	thermostat cartridge	96633000	£ 137,00	1
11	sealing set	96636000	£ 51,00	1
12	set of screws	96525000	£ 9,00	1
13	O-ring 16x2	98133000	£ 3,30	1
14	set of non return valves DW 15	97350000	£ 20,50	1
15	filter	98513000	£ 3,30	1
16	extension 25 mm	13595000	£ 75,00	1
17	set of fixing screws	97747000	£ 3,30	1
18	extension 22 mm	19427000	£ 96,00	1
19	escutcheon height = 33 mm (when wall is not deep enough).	14971000	£ 87,00	1
a	concealed item	01800180	£ 163,00	1