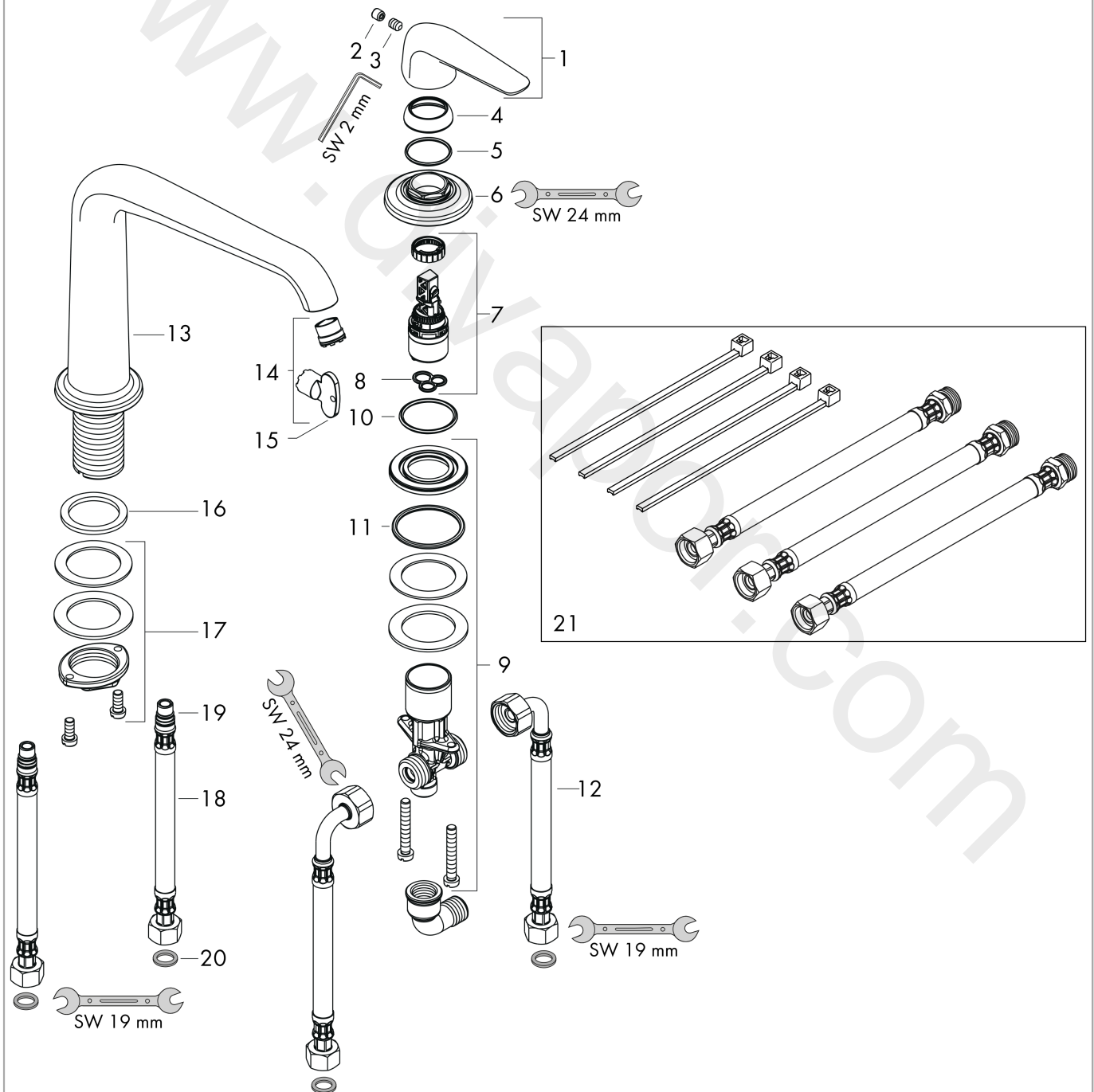


AXOR Bouroullec
2-hole basin mixer 130 without pull-rod
 Surfaces: Article Number: **19143000**



Exploded Drawing

Year of production: **10/10 - 12/17**



AXOR Bouroullec
2-hole basin mixer 130 without pull-rod
 Surfaces: Article Number: **19143000**



Spare part list

Year of production: **10/10 - 12/17**

| Pos. | | Article Number | Price | PU |
|------|---|----------------|----------|----|
| 1 | handle | 95705000 | £ 79,00 | 1 |
| 2 | screw cover | 95704000 | £ 3,30 | 1 |
| 3 | hollow set screw M6x6 | 98445000 | £ 3,30 | 1 |
| 4 | flange | 98863000 | £ 51,00 | 1 |
| 5 | O-Ring 22x2 | 98185000 | £ 3,30 | 1 |
| 6 | escutcheon | 95737000 | £ 79,00 | 1 |
| 7 | cartridge, assy | 97685000 | £ 64,00 | 1 |
| 8 | seal | 98865000 | £ 35,00 | 1 |
| 9 | stop valve cpl. | 95740000 | £ 137,00 | 1 |
| 10 | O-Ring 32x2,5 | 96364000 | £ 25,00 | 1 |
| 11 | O-ring 40x3 | 92634000 | £ 3,30 | 1 |
| 12 | connection hose 450 mm G½ x G3/8 | 95738000 | £ 43,00 | 1 |
| 13 | spout cpl. | 95734000 | £ 445,00 | 1 |
| 14 | aerator laminar M16,5x1 (5 l/min) | 95382000 | £ 43,00 | 1 |
| 15 | special tool | 98987000 | £ 9,00 | 1 |
| 16 | flat seal | 98749000 | £ 6,10 | 1 |
| 17 | fixing set (Ø 32) | 13961000 | £ 25,00 | 1 |
| 18 | connection hose 450 mm M8x0,75 G3/8 | 97206000 | £ 35,00 | 1 |
| 19 | O-ring 7x1,5 | 98422000 | £ 3,30 | 1 |
| 20 | sealing set | 95581000 | £ 6,10 | 1 |
| 21 | Hose extension set for 2-Hole Basin Mixer | 38960000 | £ 66,00 | 1 |
| a | fixation extension 35 mm | 13898000 | £ 79,00 | 1 |