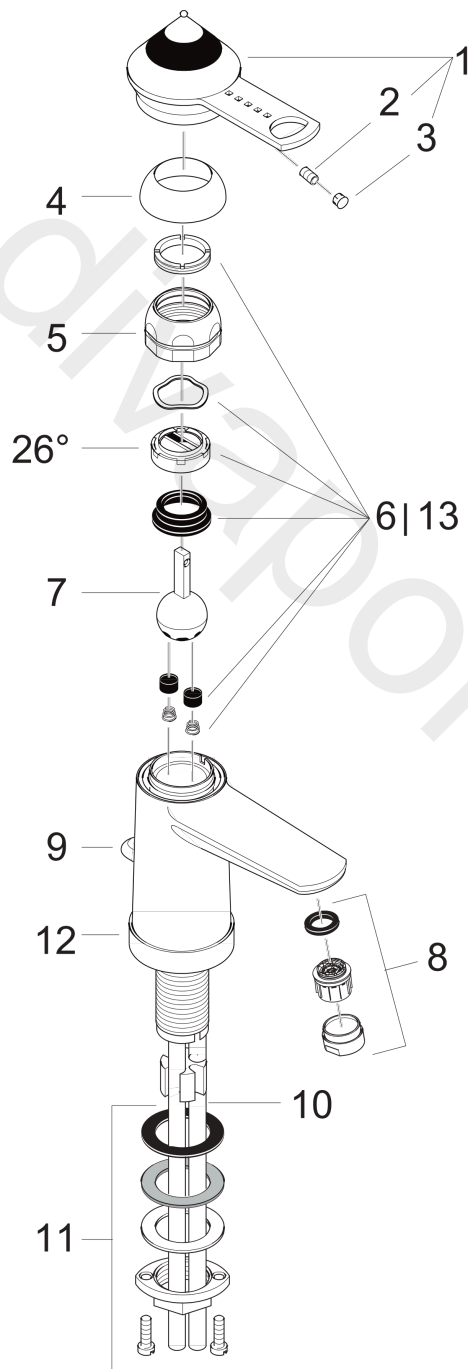


AXOR 1901
Single Lever Basin Mixer
Surfaces: Article Number: **19001690**



Exploded Drawing

Year of production: 11/91 - 04/01



AXOR 1901
Single Lever Basin Mixer
 Surfaces: Article Number: **19001690**



Spare part list

Year of production: **11/91 - 04/01**

| Pos. | | Article Number | Price | PU |
|------|----------------------------------|----------------|----------|----|
| 1 | handle | 19091690 | £ 370,00 | 1 |
| 2 | screw cover | 94063610 | - | 1 |
| 3 | hollow set screw M6x10 DIN 916 | 96029000 | £ 3,30 | 1 |
| 4 | flange | 13987610 | - | 1 |
| 5 | nut | 13918000 | £ 20,50 | 1 |
| 6 | service set with service tool | 13952000 | £ 43,00 | 1 |
| 7 | mixer ball | 13964000 | £ 51,00 | 1 |
| 8 | aerator M24x1 (7 l/min) | 13085990 | £ 51,00 | 1 |
| 9 | handle for pop up | 94079610 | - | 1 |
| 10 | coating hose | 94068610 | - | 1 |
| 11 | fixing set (Ø 32) | 13961000 | £ 25,00 | 1 |
| 12 | deco-ring | 96046990 | - | 1 |
| 13 | service set without service tool | 98804000 | £ 35,00 | 1 |
| a | pop up waste | 94139610 | £ 137,00 | 1 |
| b | fixation extension 35 mm | 13898000 | £ 79,00 | 1 |