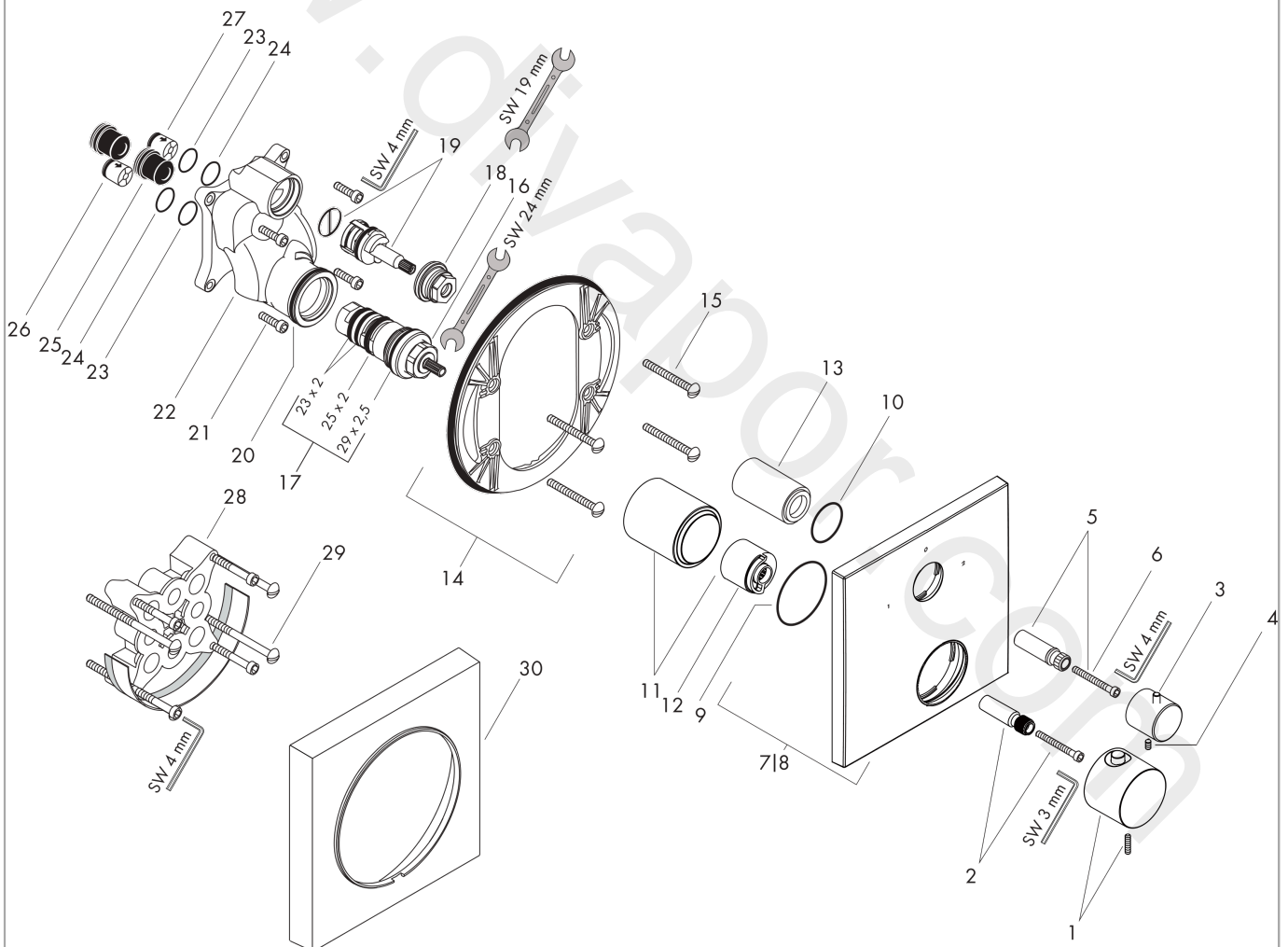


AXOR Massaud
Thermostat for concealed installation with shut-off/ diverter valve
 Surfaces: Article Number: **18750000**



Exploded Drawing

Year of production: **07/06 - 04/11**



AXOR Massaud
Thermostat for concealed installation with shut-off/ diverter valve
 Surfaces: Article Number: **18750000**



Spare part list

Year of production: **07/06 - 04/11**

Pos.		Article Number	Price	PU
1	handle for thermostat	18097000	£ 96,00	1
2	adapter for handle	98701000	£ 9,00	1
3	handle	96520000	£ 64,00	1
4	hollow set screw M4x8	97669000	£ 3,30	1
5	adapter for handle	96451000	£ 16,10	1
6	hexagon socket screw M4x35	92160000	£ 3,30	1
7	escutcheon	98688000	£ 96,00	1
8	escutcheon for exchanged connections	95830000	£ 96,00	1
9	O-ring 48x5	98174000	£ 3,30	1
10	O-ring 30x5	98153000	£ 3,30	1
11	sleeve	98734000	£ 79,00	1
12	sleeve	96446000	£ 35,00	1
13	safety set for temperature control	97334000	£ 13,30	1
14	sub plate	96447000	£ 51,00	1
15	set of fixing screws	96454000	£ 9,00	1
16	thermostat cartridge	94282000	£ 137,00	1
17	sealing set	95037000	£ 51,00	1
18	nut	92853000	£ 9,00	1
19	shut off unit with selector	96509000	£ 96,00	1
20	O-ring 39x2	98158000	£ 3,30	1
21	set of screws	96525000	£ 9,00	1
22	installation unit cpl.	92591000	£ 370,00	1
23	O-ring 16x2	98133000	£ 3,30	1
24	O-ring 13x2	98128000	£ 3,30	1
25	noise reduction	94073000	£ 25,00	1
26	non return valve (pressure-resistant up to 2 MPa)	92594000	£ 16,10	1
27	set of non return valves DW 15	94074000	£ 16,10	1
28	extension 25 mm	13595000	£ 75,00	1
29	set of fixing screws	97747000	£ 3,30	1
30	extension 22 mm	97407000	£ 72,00	1
a	concealed item	01800180	£ 163,00	1
b	non return valve with filter	92499000	£ 16,10	1