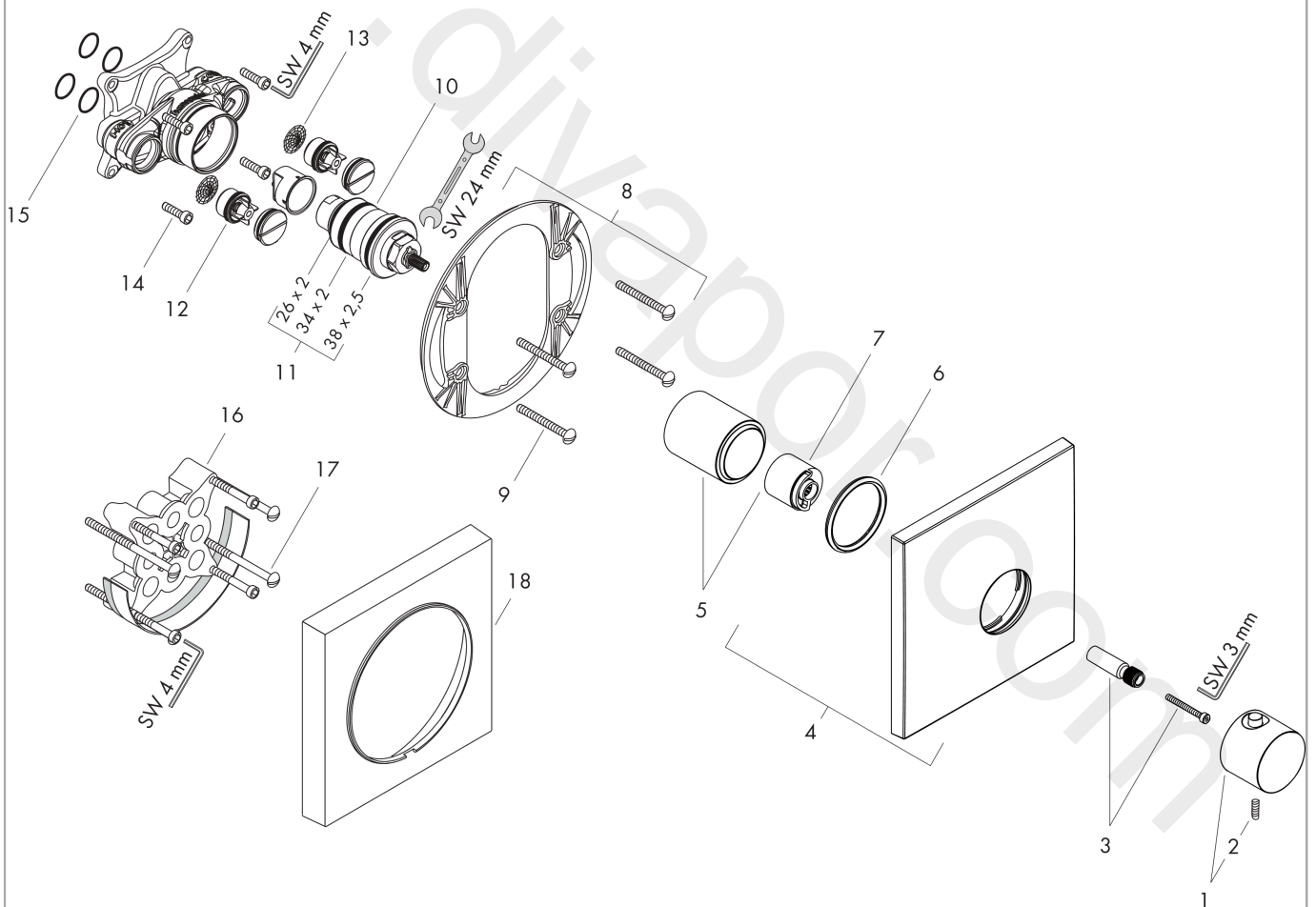


AXOR Massaud
Thermostat HighFlow for concealed installation
Surfaces: Article Number: **18741000**



Exploded Drawing

Year of production: **07/06 - 01/12**



AXOR Massaud
Thermostat HighFlow for concealed installation
 Surfaces: Article Number: **18741000**



Spare part list

Year of production: **07/06 - 01/12**

Pos.		Article Number	Price	PU
1	handle for thermostat	18097000	£ 96,00	1
2	hollow set screw M4x16	97663000	£ 3,30	1
3	adapter for handle	98701000	£ 9,00	1
4	escutcheon	98678000	£ 96,00	1
5	sleeve	98679000	£ 79,00	1
6	O-ring 48x5	98174000	£ 3,30	1
7	safety set for temperature control	97334000	£ 13,30	1
8	sub plate	96447000	£ 51,00	1
9	set of fixing screws	96454000	£ 9,00	1
10	thermostat cartridge	96633000	£ 137,00	1
11	sealing set	96636000	£ 51,00	1
12	non return valve	96655000	£ 13,30	1
13	filter	97367000	£ 9,00	1
14	set of screws	96525000	£ 9,00	1
15	O-ring 16x2	98133000	£ 3,30	1
16	extension 25 mm	13595000	£ 75,00	1
17	set of fixing screws	97747000	£ 3,30	1
18	extension 22 mm	97407000	£ 72,00	1
a	concealed item	01800180	£ 163,00	1
b	escutcheon height = 33 mm (when wall is not deep enough).	14964000	£ 92,00	1