

**AXOR Massaud
Bath spout**

Finish: **Chrome** Article Number: **18472000**



product features

- projection: 167 mm
- maximum flow rate at 3 bar: 18 l/min
- connection dimension: device connection DN20
- spray type: RainFlow

Article Details

Price excl. VAT 875,00 £

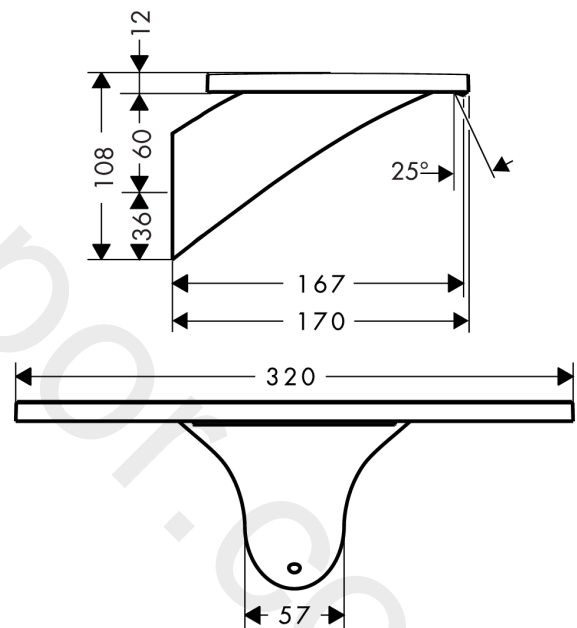
Technology



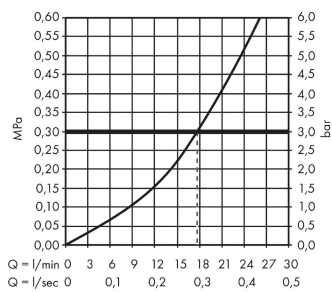
Product image



Scale drawing



Flowchart



AXOR Massaud

Bath spout

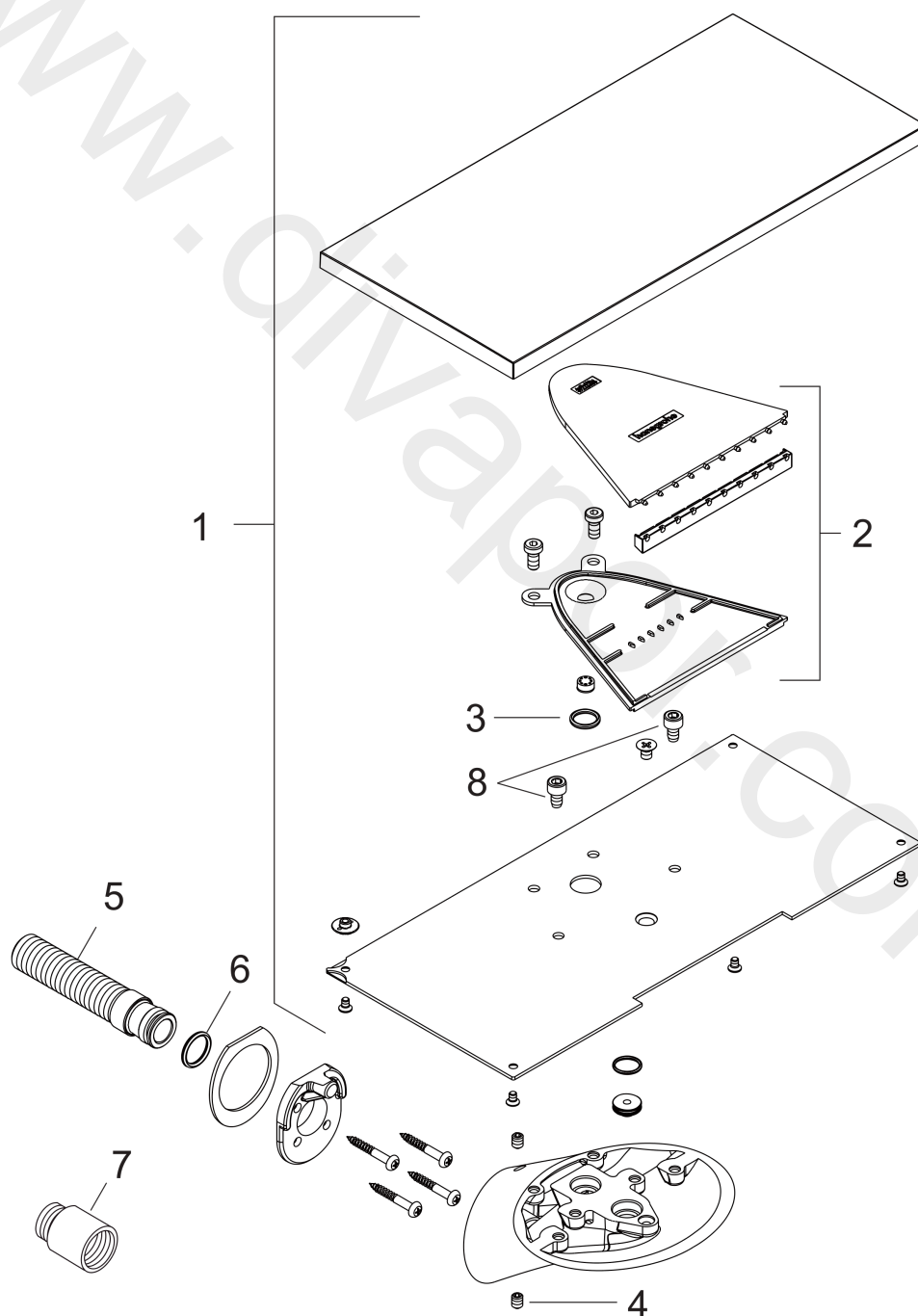
Finish: **Chrome**

Article Number: **18472000**



Exploded Drawing

Year of production: >07/06



AXOR Massaud
Bath spout

 Finish: **Chrome** Article Number: **18472000**

Spare part list

Year of production: >07/06

Pos.		Article Number	Price	PU
1	plate for spout	98975000	£ 585,00	1
2	spray former	97446000	£ 96,00	1
3	O-ring 12x2	98214000	£ 3,30	1
4	hollow set screw M6x8	97810000	£ 3,30	1
5	connecting thread G½	97228000	£ 51,00	1
6	O-ring 16x2,5	98134000	£ 3,30	1
7	extension 25 mm	95413000	£ 79,00	1
8	hexagon socket screw M6x10	92847000	£ 3,30	1
a	spray former (special 8°)	95492000	£ 25,00	1
b	concealed item	18471180	£ 128,00	1