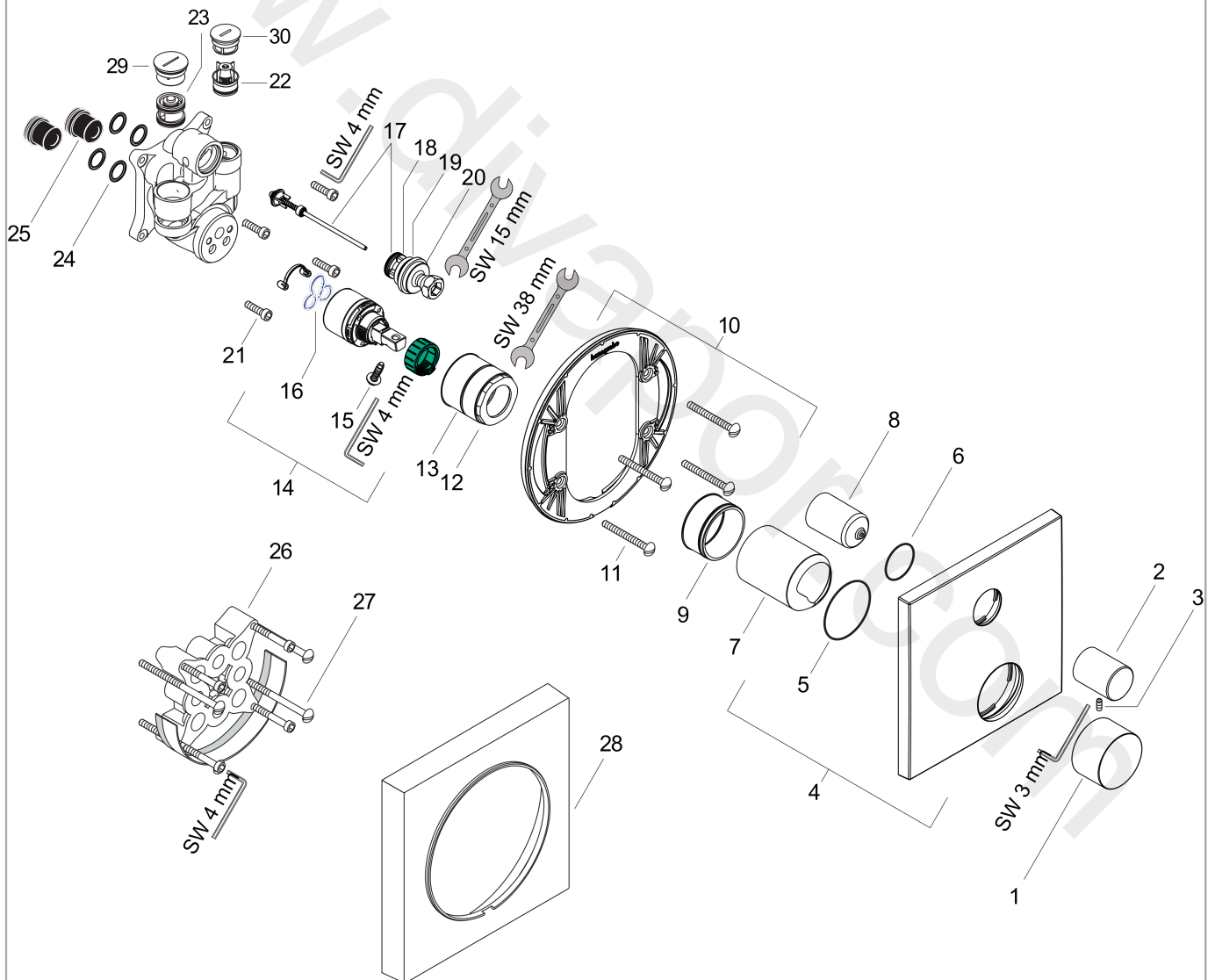


AXOR Massaud
Single lever bath mixer for concealed installation with integrated security combination
according to EN1717
Surfaces: Article Number: **18457000**



Exploded Drawing

Year of production: **06/11 - 01/13**



AXOR Massaud

Single lever bath mixer for concealed installation with integrated security combination according to EN1717

Surfaces: Article Number: **18457000**



Spare part list

Year of production: **06/11 - 01/13**

Pos.		Article Number	Price	PU
1	handle	18492000	£ 79,00	1
2	diverter knob	96473000	£ 51,00	1
3	hexagon socket screw M4x10	97661000	£ 6,10	1
4	escutcheon	98733000	£ 96,00	1
5	O-Ring 48x3	95508000	£ 3,30	1
6	O-ring 29x3	98371000	£ 6,10	1
7	flange	98684000	£ 43,00	1
8	sleeve	96448000	£ 43,00	1
9	O-ring 43x1,5	98148000	£ 3,30	1
10	holder for escutcheon	98793000	£ 43,00	1
11	set of fixing screws	96454000	£ 9,00	1
12	nut	98796000	£ 43,00	1
13	O-ring 39x1,5	98400000	£ 3,30	1
14	cartridge, assy	92730000	£ 35,00	1
15	locking screw for handle	95140000	£ 6,10	1
16	seal	95008000	£ 9,00	1
17	selector assy	95014000	£ 64,00	1
18	O-ring 16x2,3	98207000	£ 3,30	1
19	O-ring 21x2	98205000	£ 6,10	1
20	O-ring 20x2,5	92602000	£ 6,10	1
21	set of screws	96525000	£ 9,00	1
22	non return valve	96655000	£ 13,30	1
23	vacuum breaker	96753000	£ 16,10	1
24	O-ring 16x2	98133000	£ 3,30	1
25	noise reduction	94073000	£ 25,00	1
26	extension 25 mm	13595000	£ 75,00	1
27	set of fixing screws	97747000	£ 3,30	1
28	extension 22 mm	97407000	£ 72,00	1
29	O-Ring 22x2	98185000	£ 3,30	1
30	O-ring 19x2	98426000	£ 3,30	1
a	concealed item	01800180	£ 163,00	1