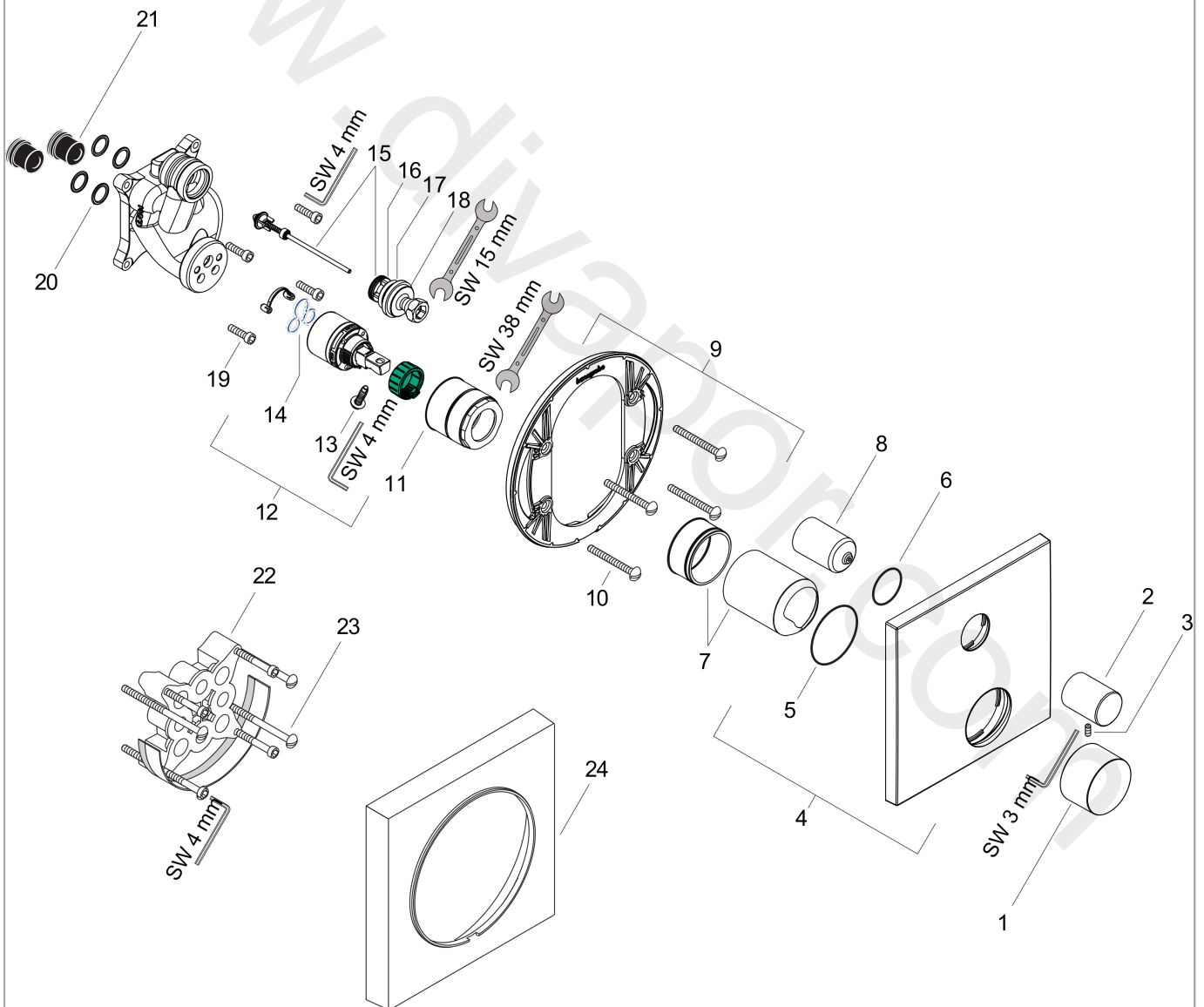


AXOR Massaud
Single lever bath mixer for concealed installation
Surfaces: Article Number: **18455000**



Exploded Drawing

Year of production: **01/10 - 04/11**



AXOR Massaud
Single lever bath mixer for concealed installation
 Surfaces: Article Number: **18455000**



Spare part list

Year of production: **01/10 - 04/11**

| Pos. | | Article Number | Price | PU |
|------|----------------------------------|----------------|----------|----|
| 1 | handle | 18492000 | £ 79,00 | 1 |
| 2 | diverter knob | 96473000 | £ 51,00 | 1 |
| 3 | hollow set screw M4x10 | 97667000 | £ 3,30 | 1 |
| 4 | escutcheon | 98733000 | £ 96,00 | 1 |
| 5 | O-ring 48x5 | 98174000 | £ 3,30 | 1 |
| 6 | O-ring 30x5 | 98153000 | £ 3,30 | 1 |
| 7 | flange | 98684000 | £ 43,00 | 1 |
| 8 | sleeve | 96448000 | £ 43,00 | 1 |
| 9 | sub plate | 96447000 | £ 51,00 | 1 |
| 10 | set of fixing screws | 96454000 | £ 9,00 | 1 |
| 11 | nut | 98796000 | £ 43,00 | 1 |
| 12 | cartridge, assy | 92730000 | £ 35,00 | 1 |
| 13 | locking screw for handle | 95140000 | £ 6,10 | 1 |
| 14 | seal | 95008000 | £ 9,00 | 1 |
| 15 | selector assy | 95014000 | £ 64,00 | 1 |
| 16 | O-ring 16x2,3 | 98207000 | £ 3,30 | 1 |
| 17 | O-ring 20x2,5 | 92602000 | £ 6,10 | 1 |
| 18 | O-ring 21x2 | 98205000 | £ 6,10 | 1 |
| 19 | set of screws | 96525000 | £ 9,00 | 1 |
| 20 | O-ring 16x2 | 98133000 | £ 3,30 | 1 |
| 21 | noise reduction | 94073000 | £ 25,00 | 1 |
| 22 | extension 25 mm | 13595000 | £ 75,00 | 1 |
| 23 | set of fixing screws | 97747000 | £ 3,30 | 1 |
| 24 | extension 22 mm | 97407000 | £ 72,00 | 1 |
| a | spring for exchanged connections | 96365000 | £ 43,00 | 1 |
| b | concealed item | 01800180 | £ 163,00 | 1 |