

AXOR Massaud
Single lever bath mixer floor-standing
 Finish: **Brushed Nickel** Article Number: **18450820**



product features

- consists of: single lever bath mixer floor standing, baton hand shower, shower hose, shower holder
- 2 functions
- projection: 248 mm
- spray type mixer: wide flood jet
- spray type hand shower: Rain, Mono
- maximum flow rate at 3 bar: 17 l/min
- flow rate for bath spout at 3 bar: 17 l/min
- flow rate of hand shower at 3 bar: 14 l/min
- ceramic cartridge
- temperature limitation adjustable
- diverter with automatic resetting
- non-return valve
- connection dimension: DN15
- connection type: basic set
- deck mounted
- min. operating pressure: 1 bar
- max. operating pressure: 10 bar

Article Details

Price excl. VAT 5.600,00 £

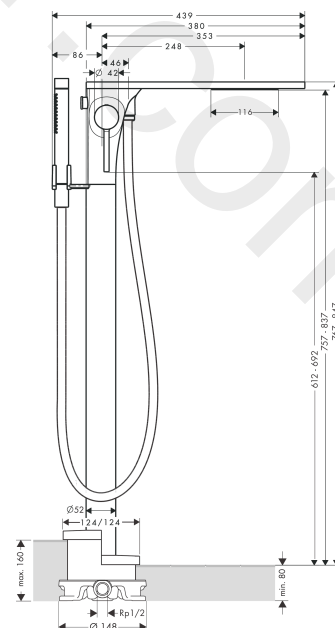
Technology



Product image



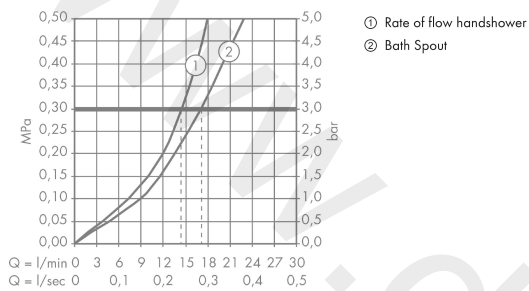
Scale drawing



AXOR Massaud
Single lever bath mixer floor-standing
 Finish: **Brushed Nickel** Article Number: **18450820**



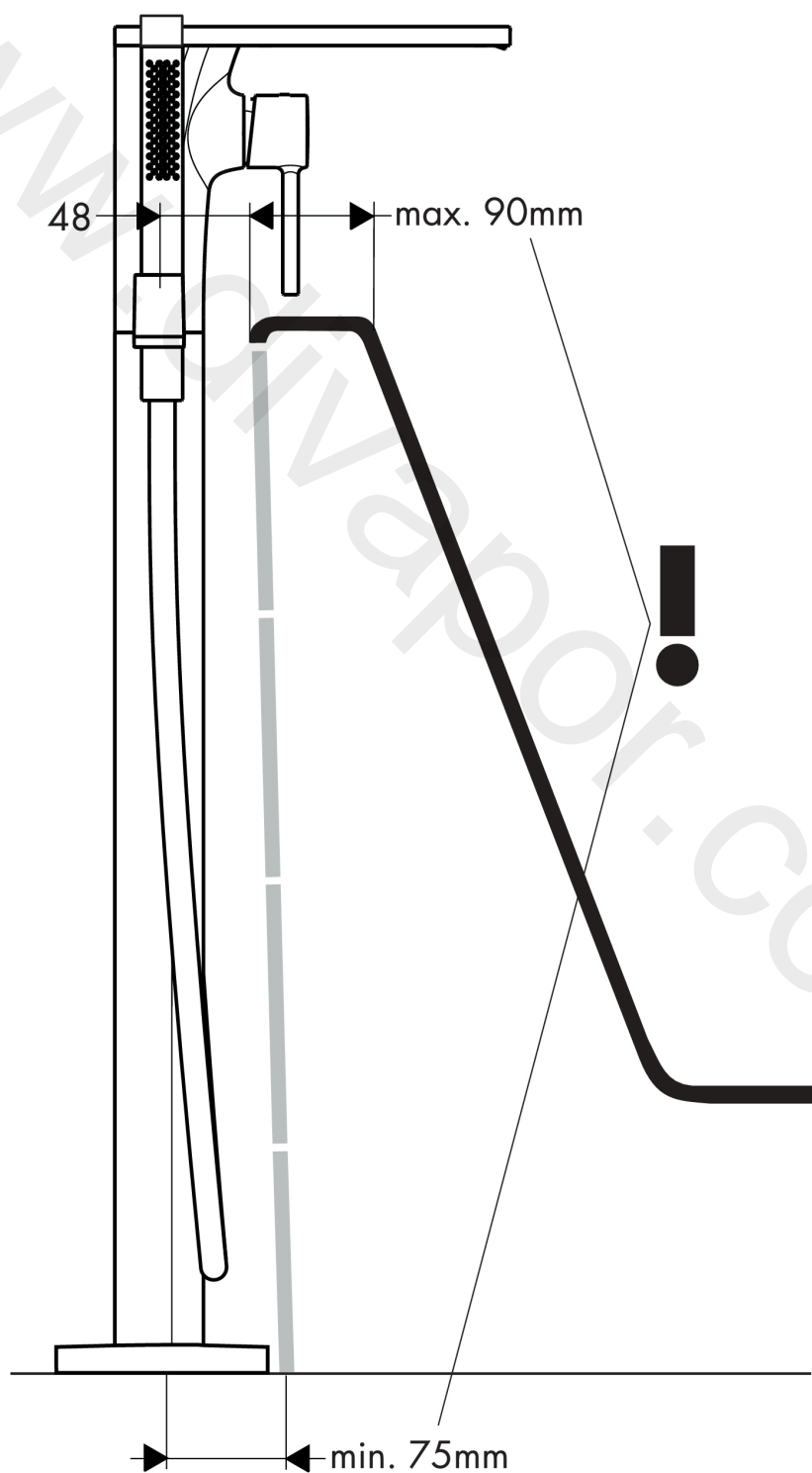
Flowchart



AXOR Massaud
Single lever bath mixer floor-standing
Finish: **Brushed Nickel** Article Number: **18450820**



Installation examples

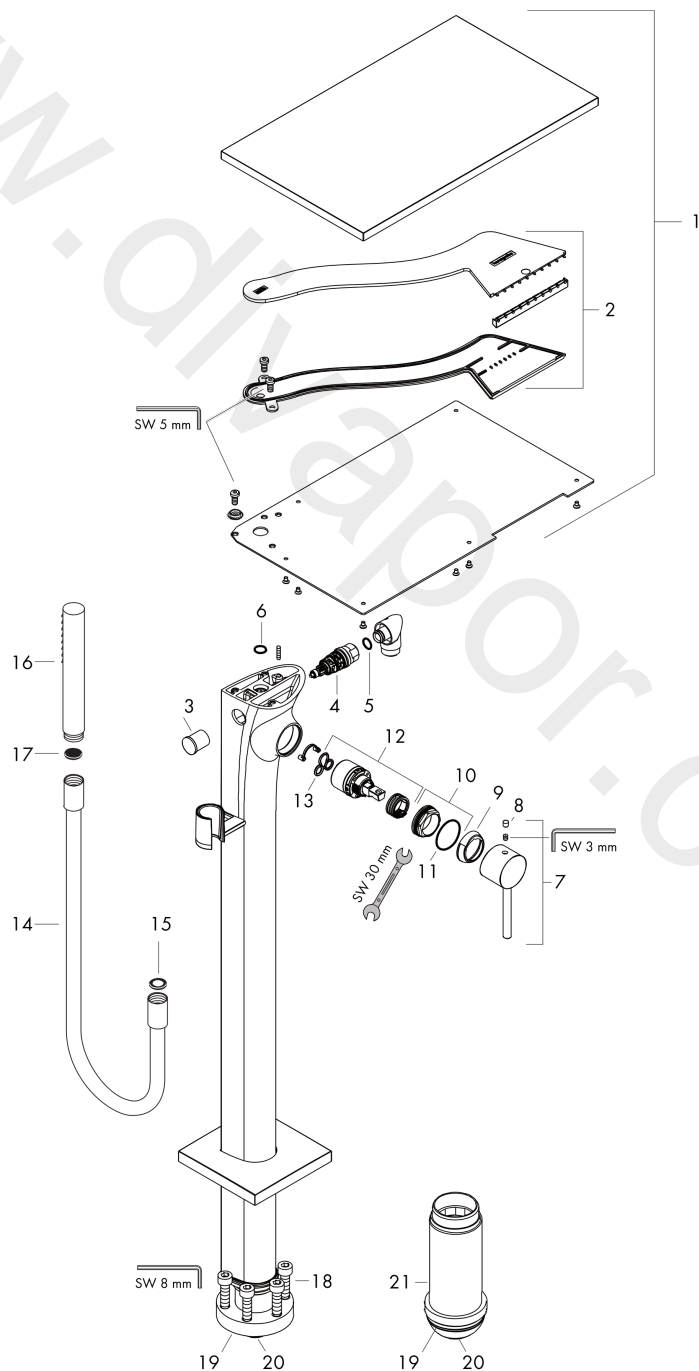


AXOR Massaud
Single lever bath mixer floor-standing
Finish: **Brushed Nickel** Article Number: **18450820**



Exploded Drawing

Year of production: >05/20



AXOR Massaud
Single lever bath mixer floor-standing
 Finish: **Brushed Nickel** Article Number: **18450820**



Spare part list

Year of production: >05/20

Pos.		Article Number	Price	PU
1	plate for spout	98704830	£ 1.785,00	1
2	spray former	97447000	£ 79,00	1
3	diverter knob	98705830	£ 118,50	1
4	selector assy	94077000	£ 43,00	1
5	O-ring 10x2	98170000	£ 3,30	1
6	O-ring 12x2	98214000	£ 3,30	1
7	handle	18493830	£ 144,00	1
8	screw cover	96762000	£ 3,30	1
9	flange	96763830	£ 13,50	1
10	nut	97209000	£ 16,10	1
11	O-ring 33x2	98154000	£ 3,30	1
12	cartridge, assy	92730000	£ 35,00	1
13	seal	95008000	£ 9,00	1
14	shower hose 1,25 m	28282830	£ 100,44	1
15	seal	98058000	£ 3,30	1
16	handshower	28532830	£ 334,44	1
17	filter packing	94246000	£ 3,30	1
18	hexagon socket screw M10x35	97670000	£ 16,10	1
19	O-ring 44x2,5	98162000	£ 3,30	1
20	O-ring 29x2	98391000	£ 3,30	1
21	extension set 60 mm	97686000	£ 320,00	1
a	concealed item	10452180	£ 575,00	1
b	diverter fixing device	97211000	£ 3,30	1