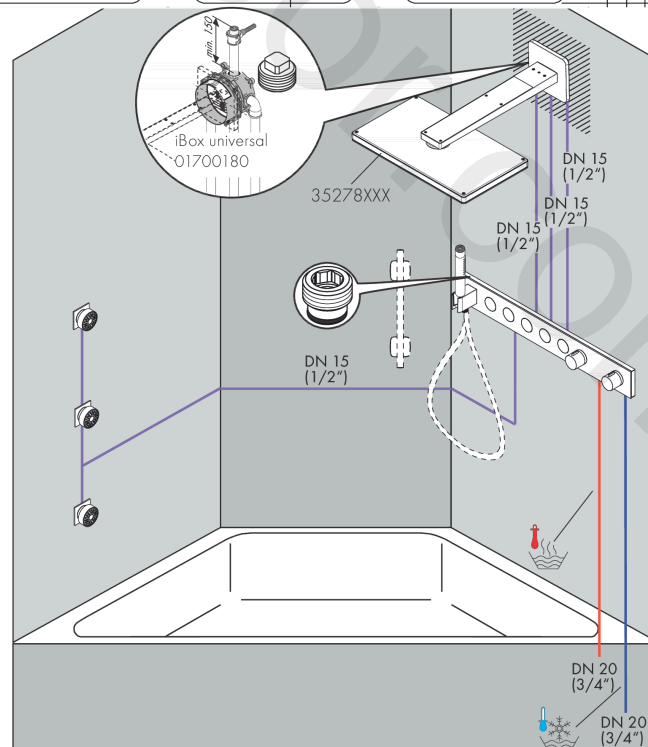
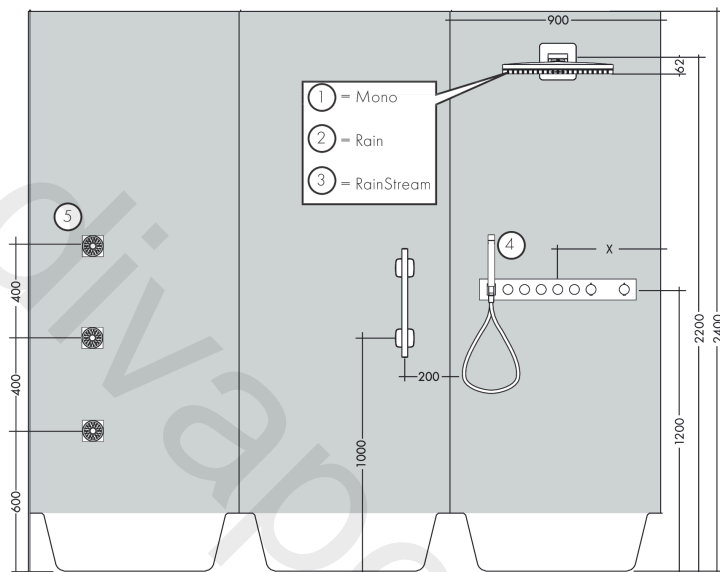
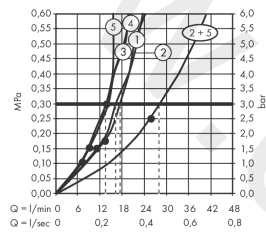


Basic set for thermostatic module Select for 5 functions
 Finish: n.a. Article Number: 18313180



Installation examples

AXOR Select
 1831318X/18358XXX

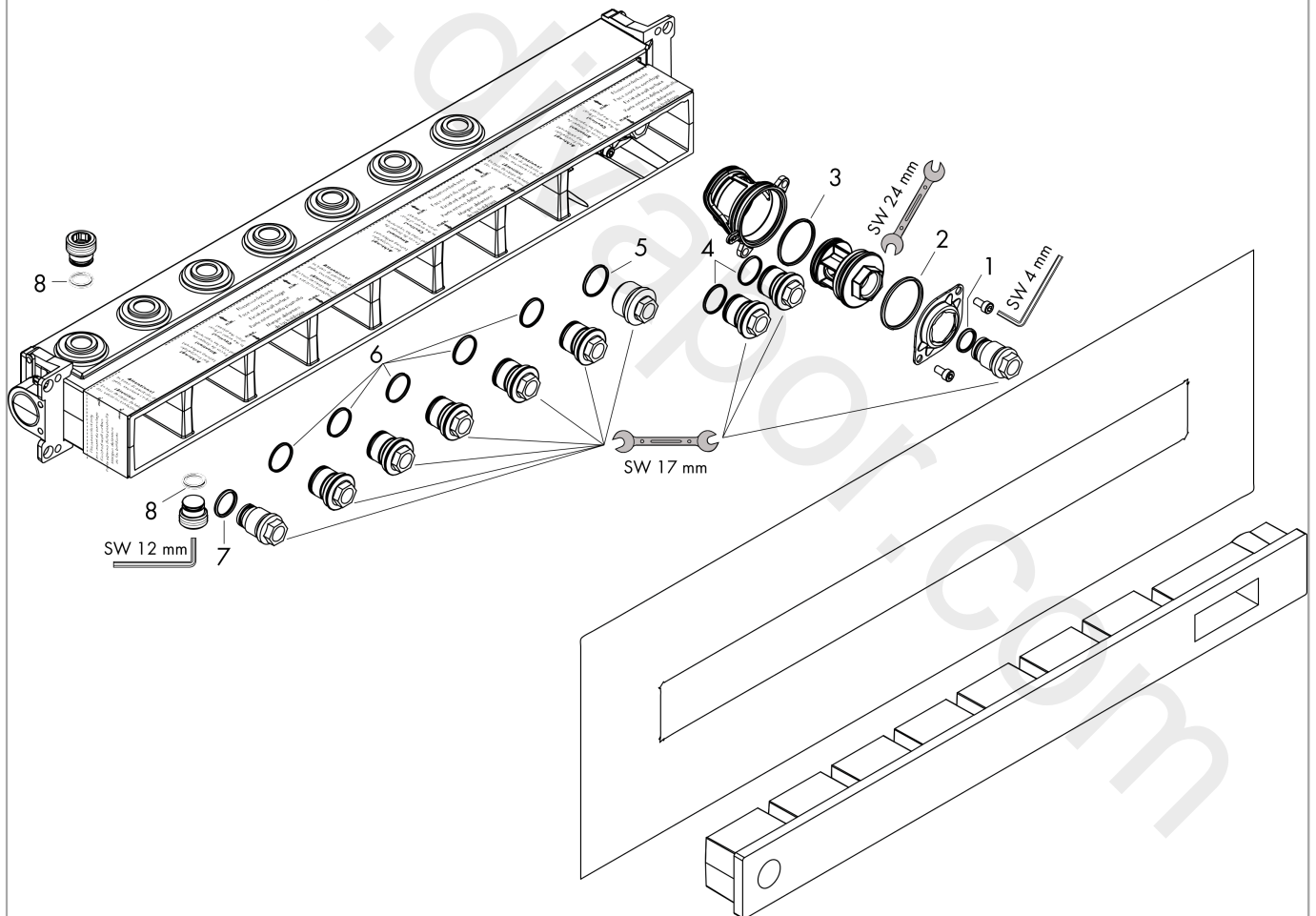


Basic set for thermostatic module Select for 5 functions
Finish: n.a. Article Number: 18313180



Exploded Drawing

Year of production: >10/17



Basic set for thermostatic module Select for 5 functions

Finish: n.a. Article Number: 18313180



Spare part list

Year of production: >10/17

Pos.		Article Number	Price	PU
1	O-ring 15x2	98163000	£ 3,30	1
2	O-ring 38x2,5	98198000	£ 6,10	1
3	O-ring 34x2	98383000	£ 6,10	1
4	O-ring 20x2	98165000	£ 3,30	1
5	O-ring 21,95x1,78	95169000	£ 3,30	1
6	O-ring 20x1,5	98197000	£ 3,30	1
7	O-ring 18x2	98181000	£ 6,10	1
8	O-ring 13x2	98128000	£ 3,30	1
a	extension 25 mm	93435000	£ 445,00	1