

Basic set for thermostatic module Select for 2 functions

Finish: n.a. Article Number: 18310180



product features

- 2 functions
- connection thread Rp 3/4
- connection dimension: DN15/DN20
- horizontal installation
- sound-decoupled installation
- minimum mounting depth: 92 mm
- maximum mounting depth: 120 mm
- WRAS 2006331
- WRAS 2006331 - WRAS 2006331_approval_letter
- WRAS 2207061
- WRAS 2207061 - Approval letter 2207061

Article Details

Price excl. VAT

1.000,00 £

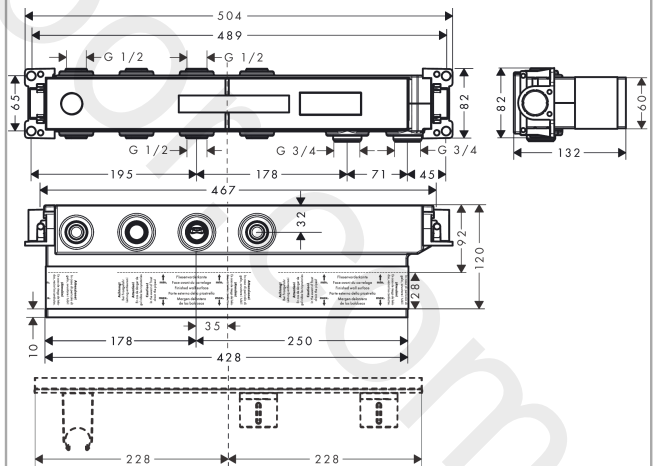
Certificates / Sustainability



Product image



Scale drawing

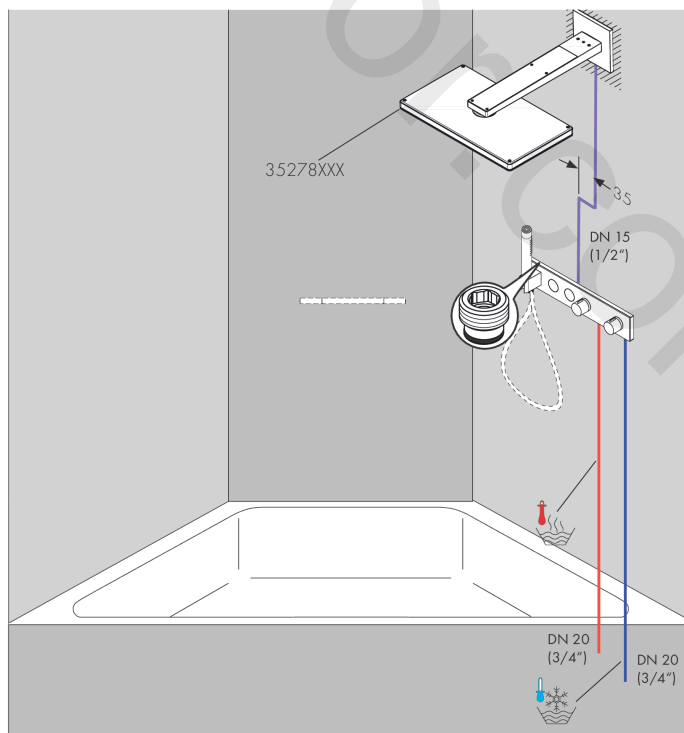
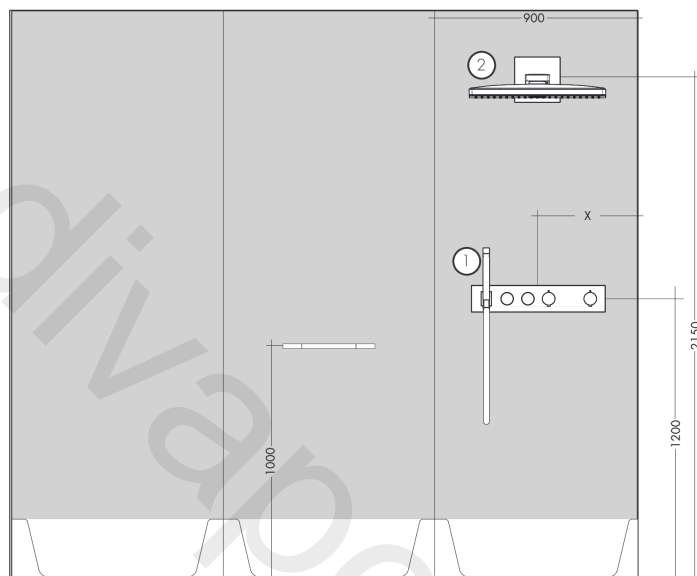
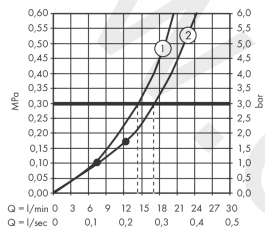


Basic set for thermostatic module Select for 2 functions
 Finish: n.a. Article Number: 18310180



Installation examples

AXOR Select
 1831018X/18355XXX



Basic set for thermostatic module Select for 2 functions

Finish: n.a. Article Number: 18310180



Spare part list

Year of production: >10/17

Pos.		Article Number	Price	PU
1	O-ring 15x2	98163000	£ 3,30	1
2	O-ring 38x2,5	98198000	£ 6,10	1
3	O-ring 34x2	98383000	£ 6,10	1
4	O-ring 20x2	98165000	£ 3,30	1
5	O-ring 21,95x1,78	95169000	£ 3,30	1
6	O-ring 20x1,5	98197000	£ 3,30	1
7	O-ring 18x2	98181000	£ 6,10	1
8	O-ring 13x2	98128000	£ 3,30	1
a	extension 25 mm	93432000	£ 370,00	1