

**AXOR Massaud**  
**Single lever bidet mixer with pop-up waste set**  
 Finish: **Chrome** Article Number: **18210000**



### product features

- consists of: single lever bidet mixer, waste set
- projection: 105 mm
- aerator with ball pivot
- spray type: laminar spray
- maximum flow rate at 3 bar: 7,2 l/min
- ceramic cartridge
- suitable for continous flow water heaters
- pop-up waste set G 1¼
- connection type: G ¾ connections
- connection dimension: DN15

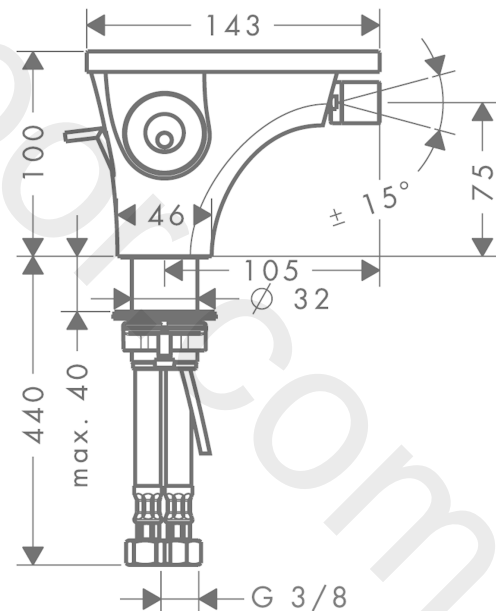
### Article Details

Price excl. VAT 1.941,67 £

### Product image



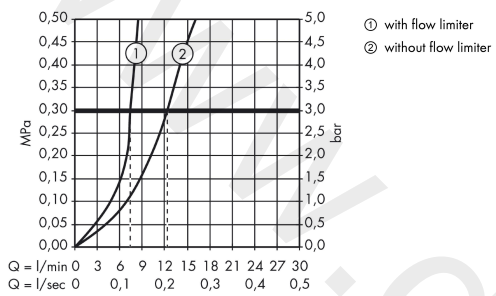
### Scale drawing



**AXOR Massaud**  
**Single lever bidet mixer with pop-up waste set**  
 Finish: **Chrome** Article Number: **18210000**



## Flowchart

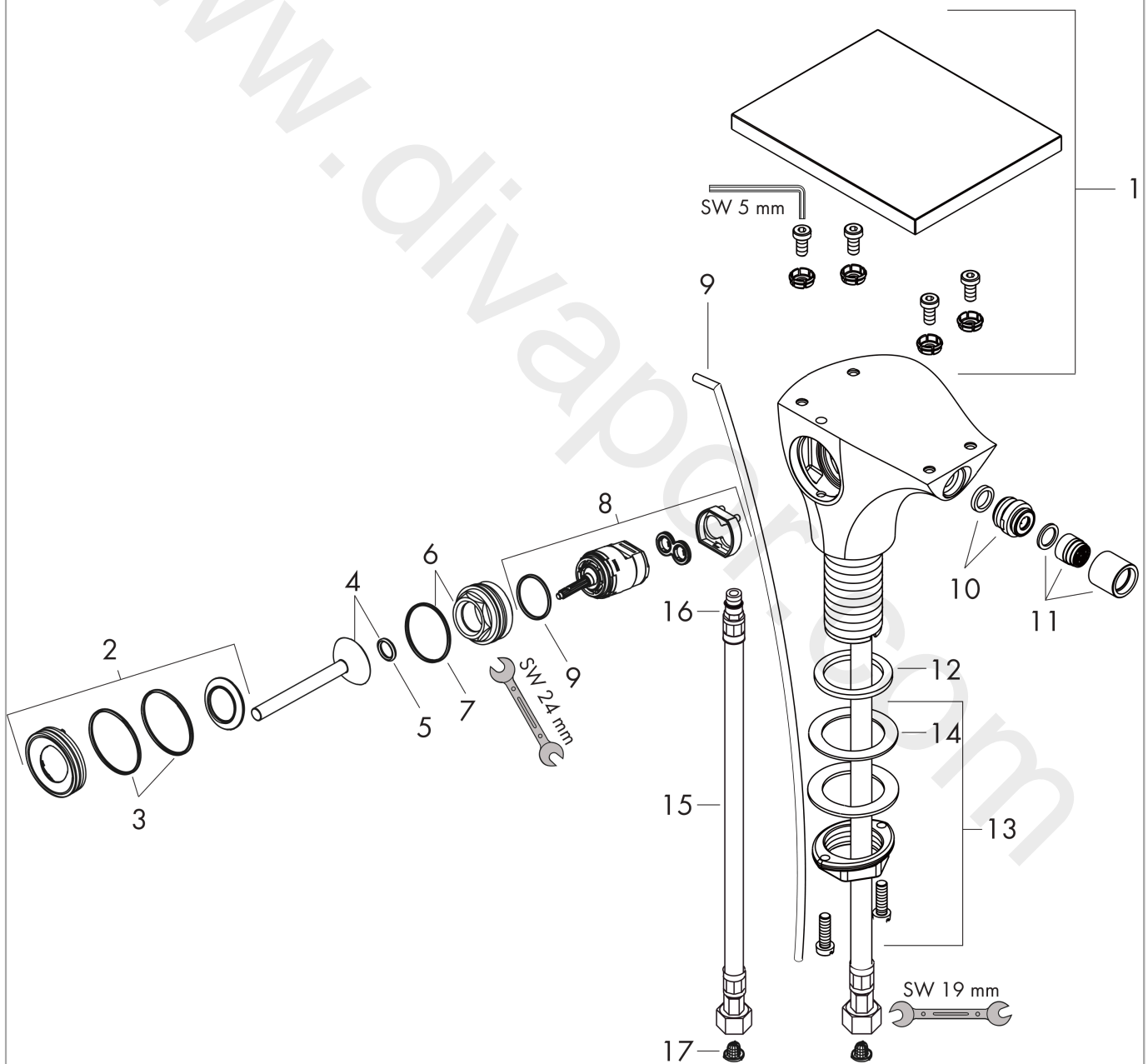


**AXOR Massaud**  
**Single lever bidet mixer with pop-up waste set**  
 Finish: **Chrome** Article Number: **18210000**



## Exploded Drawing

Year of production: >07/16



**AXOR Massaud**  
**Single lever bidet mixer with pop-up waste set**  
 Finish: **Chrome** Article Number: **18210000**



## Spare part list

Year of production: >07/16

Pos.		Article Number	Price	PU
1	cover	98651000	£ 585,00	1
2	escutcheon	92989000	£ 64,00	1
3	O-ring 35x1,5	92114000	£ 6,10	1
4	handle	92490000	£ 110,00	1
5	O-ring 9x2	98119000	£ 3,30	1
6	nut	95667000	£ 25,00	1
7	O-ring 30x1,5	98433000	£ 3,30	1
8	cartridge, assy	96339000	£ 79,00	1
9	O-ring 21,95x1,78	95169000	£ 3,30	1
10	ball joint	97362000	£ 43,00	1
11	aerator laminar M16x1 (7 l/min)	97360000	£ 43,00	1
12	pull rod	97158000	£ 25,00	1
13	flat seal	98749000	£ 6,10	1
14	fixing set (Ø 32)	13961000	£ 25,00	1
15	lever collar	97548000	£ 3,30	1
16	connection hose 450 mm M8x0,75 G3/8	97206000	£ 35,00	1
17	O-ring 7x1,5	98422000	£ 3,30	1
18	filter	97973000	£ 16,10	1
a	pop up waste	94139000	£ 96,00	1
b	fixation extension 35 mm	13898000	£ 79,00	1
c	service tool for disassembling the handle	92124000	£ 137,00	1