

## AXOR Massaud

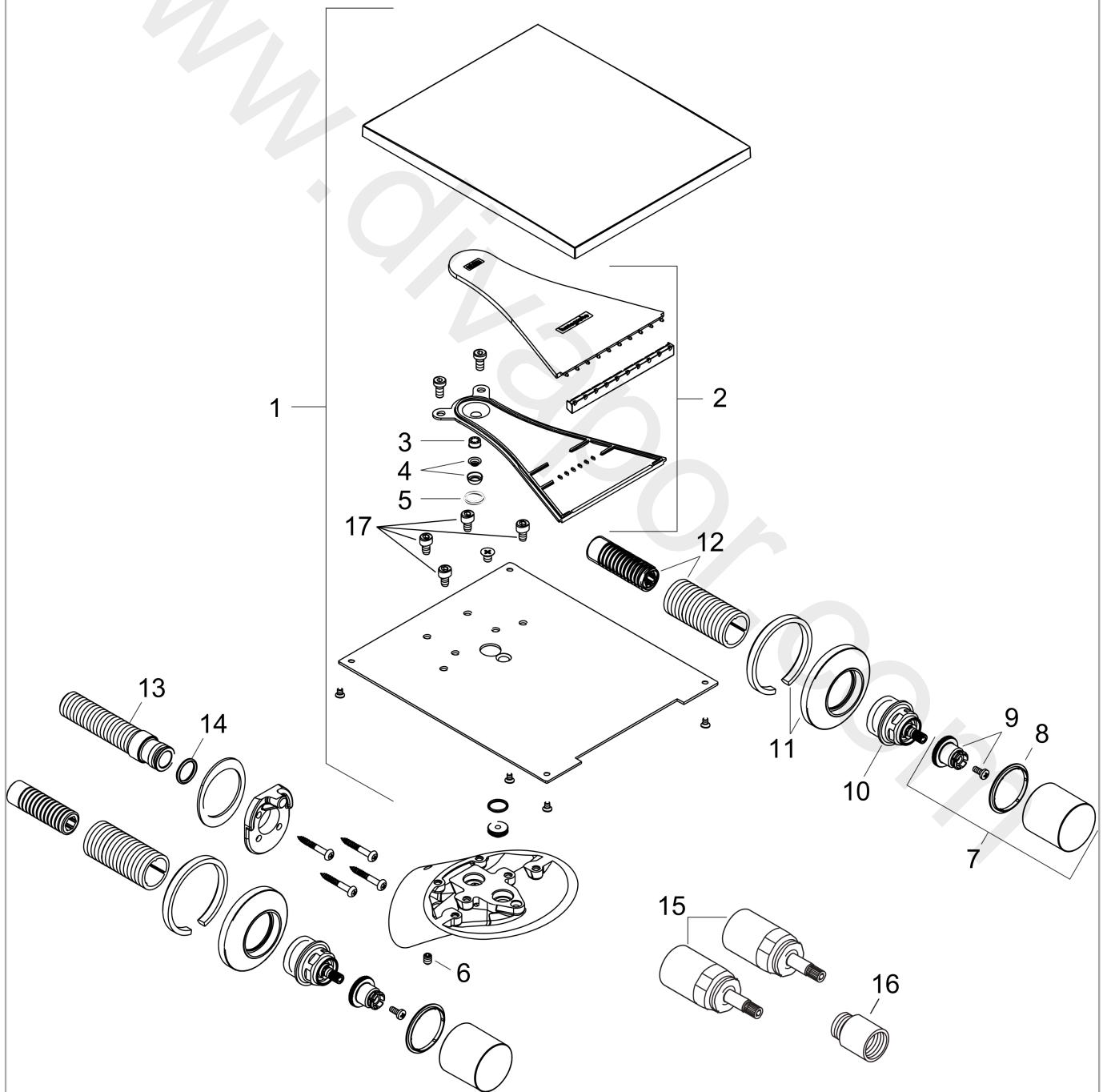
3-hole basin mixer for concealed installation wall-mounted with spout 262 mm

Surfaces: Article Number: 18115000



### Exploded Drawing

Year of production: 04/13 - 05/22



## AXOR Massaud

**3-hole basin mixer for concealed installation wall-mounted with spout 262 mm**

Surfaces: Article Number: **18115000**



### Spare part list

Year of production: **04/13 - 05/22**

| Pos. |                                     | Article Number | Price    | PU |
|------|-------------------------------------|----------------|----------|----|
| 1    | plate for spout                     | 98700000       | £ 585,00 | 1  |
| 2    | spray former                        | 97448000       | £ 96,00  | 1  |
| 3    | flow limiter (4 l/min)              | 98465000       | £ 13,30  | 1  |
| 4    | filter                              | 98516000       | £ 6,10   | 1  |
| 5    | O-ring 12x2                         | 98214000       | £ 3,30   | 1  |
| 6    | hollow set screw M6x8               | 97810000       | £ 3,30   | 1  |
| 7    | handle                              | 18098000       | £ 79,00  | 1  |
| 8    | set of color-rings cold / hot water | 98698000       | £ 9,00   | 1  |
| 9    | handle fixing set                   | 94184000       | £ 6,10   | 1  |
| 10   | nut                                 | 98677000       | £ 35,00  | 1  |
| 11   | escutcheon Ø 70 mm                  | 98697000       | £ 96,00  | 1  |
| 12   | fixing set                          | 96392000       | £ 35,00  | 1  |
| 13   | connecting thread G½                | 97228000       | £ 51,00  | 1  |
| 14   | O-ring 16x2,5                       | 98134000       | £ 3,30   | 1  |
| 15   | extension 25 mm                     | 96259000       | £ 79,00  | 1  |
| 16   | extension 25 mm                     | 95413000       | £ 79,00  | 1  |
| 17   | hexagon socket screw M6x10          | 92847000       | £ 3,30   | 1  |
| a    | waste                               | 50001000       | £ 71,00  | 1  |
| b    | concealed item                      | 18113180       | £ 335,00 | 1  |
| c    | conversion kit                      | 95759000       | £ 585,00 | 1  |
| d    | spray former (special 8°)           | 95492000       | £ 25,00  | 1  |