

AXOR Massaud
Single lever basin mixer 220 for wash bowls with waste set
 Finish: **Chrome** Article Number: **18020000**



product features

- consists of: single lever basin mixer, waste set
- ComfortZone 220
- projection: 200 mm
- spout height: 218 mm
- spray type: wide flood jet
- maximum flow rate at 3 bar: 4 l/min
- ceramic cartridge
- suitable for continuous flow water heaters
- non-closing waste set
- connection type: G ¾ connections
- connection dimension: DN15
- WRAS 1810711
- WRAS 1810711
- WRAS 1810711 - Approval letter

Article Details

Price excl. VAT

1.450,00 £

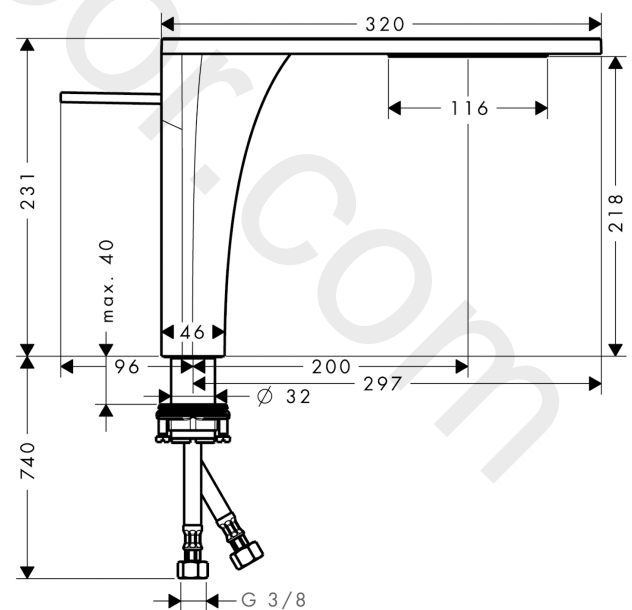
Technology



Product image



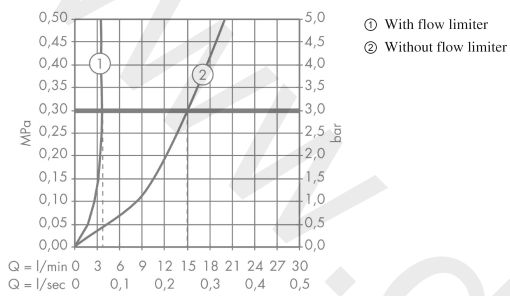
Scale drawing



AXOR Massaud
Single lever basin mixer 220 for wash bowls with waste set
Finish: **Chrome** Article Number: **18020000**



Flowchart

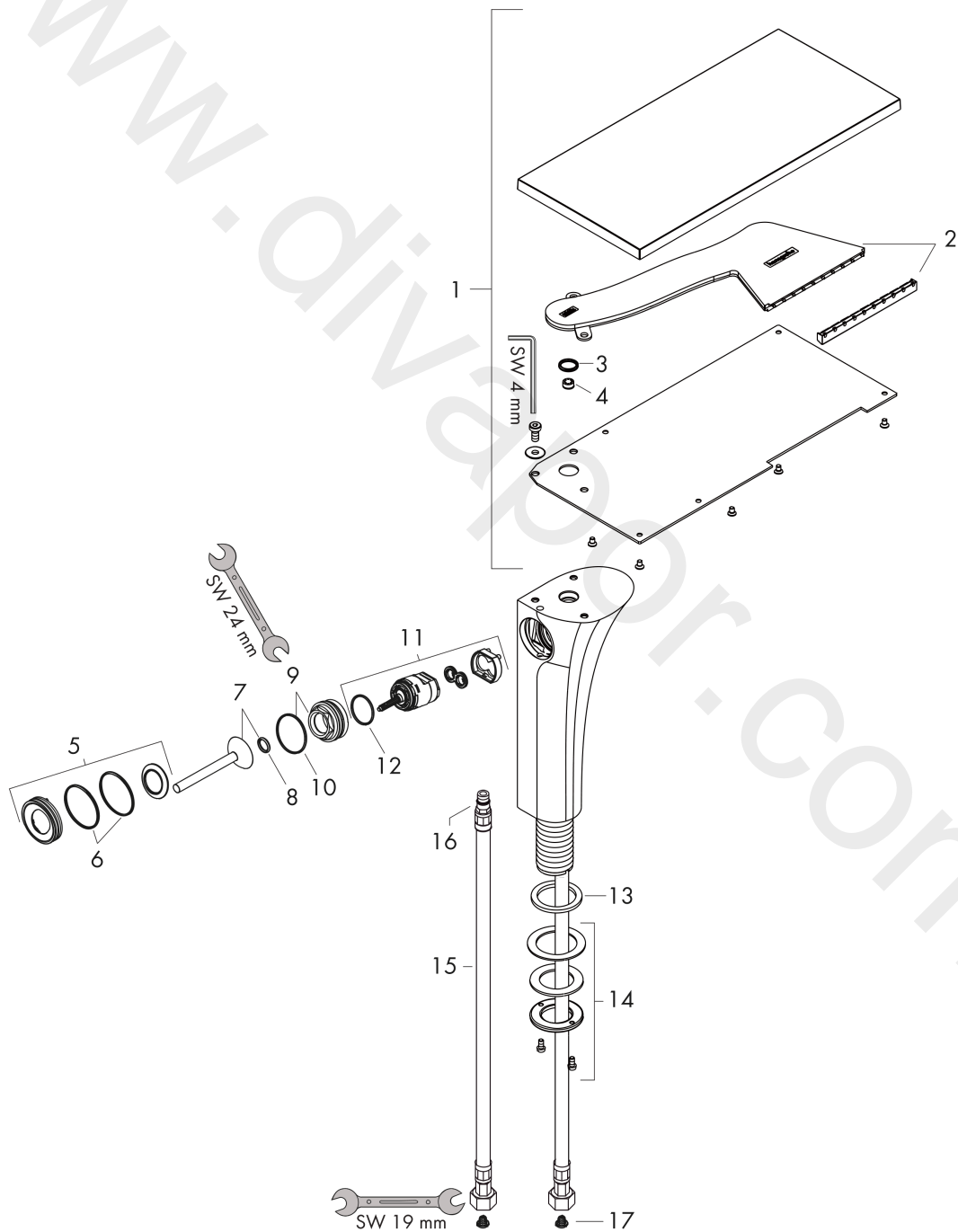


AXOR Massaud
Single lever basin mixer 220 for wash bowls with waste set
 Finish: **Chrome** Article Number: **18020000**



Exploded Drawing

Year of production: >07/16



AXOR Massaud
Single lever basin mixer 220 for wash bowls with waste set
 Finish: **Chrome** Article Number: **18020000**



Spare part list

Year of production: >07/16

Pos.		Article Number	Price	PU
1	spout cpl.	98652000	£ 445,00	1
2	spray former	97445000	£ 79,00	1
3	O-ring 12x2	98214000	£ 3,30	1
4	flow limiter (4 l/min)	98465000	£ 13,30	1
5	escutcheon	92989000	£ 64,00	1
6	O-ring 35x1,5	92114000	£ 6,10	1
7	handle	92490000	£ 110,00	1
8	O-ring 9x2	98119000	£ 3,30	1
9	nut	95667000	£ 25,00	1
10	O-ring 30x1,5	98433000	£ 3,30	1
11	cartridge, assy	96339000	£ 79,00	1
12	O-ring 21,95x1,78	95169000	£ 3,30	1
13	flat seal	98749000	£ 6,10	1
14	fixing set (Ø 32)	13961000	£ 25,00	1
15	connection hose 900 mm M8x0,75 G3/8	95372000	£ 35,00	1
16	O-ring 7x1,5	98422000	£ 3,30	1
17	filter	97973000	£ 16,10	1
a	waste	50001000	£ 71,00	1
b	fixation extension 35 mm	13898000	£ 79,00	1
c	service tool for disassembling the handle	92124000	£ 137,00	1
d	sealing set	95581000	£ 6,10	1