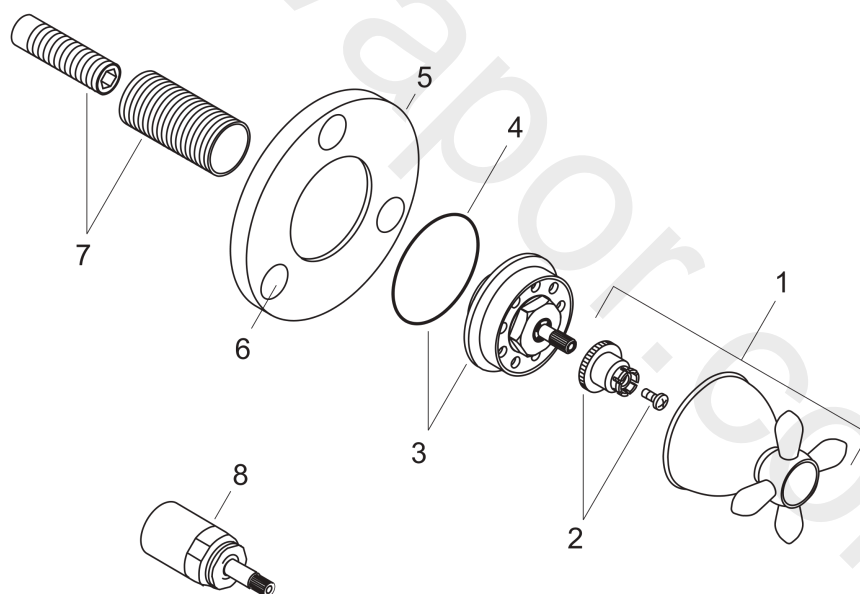


AXOR Carlton
Trio/ Quattro shut-off/ diverter valve for concealed installation with cross handle
Surfaces: Article Number: **17925090**



Exploded Drawing

Year of production: **04/01 - 12/17**



AXOR Carlton

Trio/ Quattro shut-off/ diverter valve for concealed installation with cross handle

Surfaces: Article Number: **17925090**



Spare part list

Year of production: **04/01 - 12/17**

| Pos. | | Article Number | Price | PU |
|------|----------------------|----------------|----------|----|
| 1 | handle | 17298090 | £ 173,00 | 1 |
| 2 | handle fixing set | 94184000 | £ 6,10 | 1 |
| 3 | nut | 96489000 | £ 35,00 | 1 |
| 4 | escutcheon Ø 108 mm | 13936000 | £ 64,00 | 1 |
| 5 | stickers for symbols | 97218610 | £ 20,50 | 1 |
| 6 | fixing set | 96392000 | £ 35,00 | 1 |
| 7 | extension 25 mm | 96370000 | £ 84,00 | 1 |
| a | concealed item | 15930180 | £ 410,00 | 1 |
| b | concealed item | 15981180 | £ 250,00 | 1 |