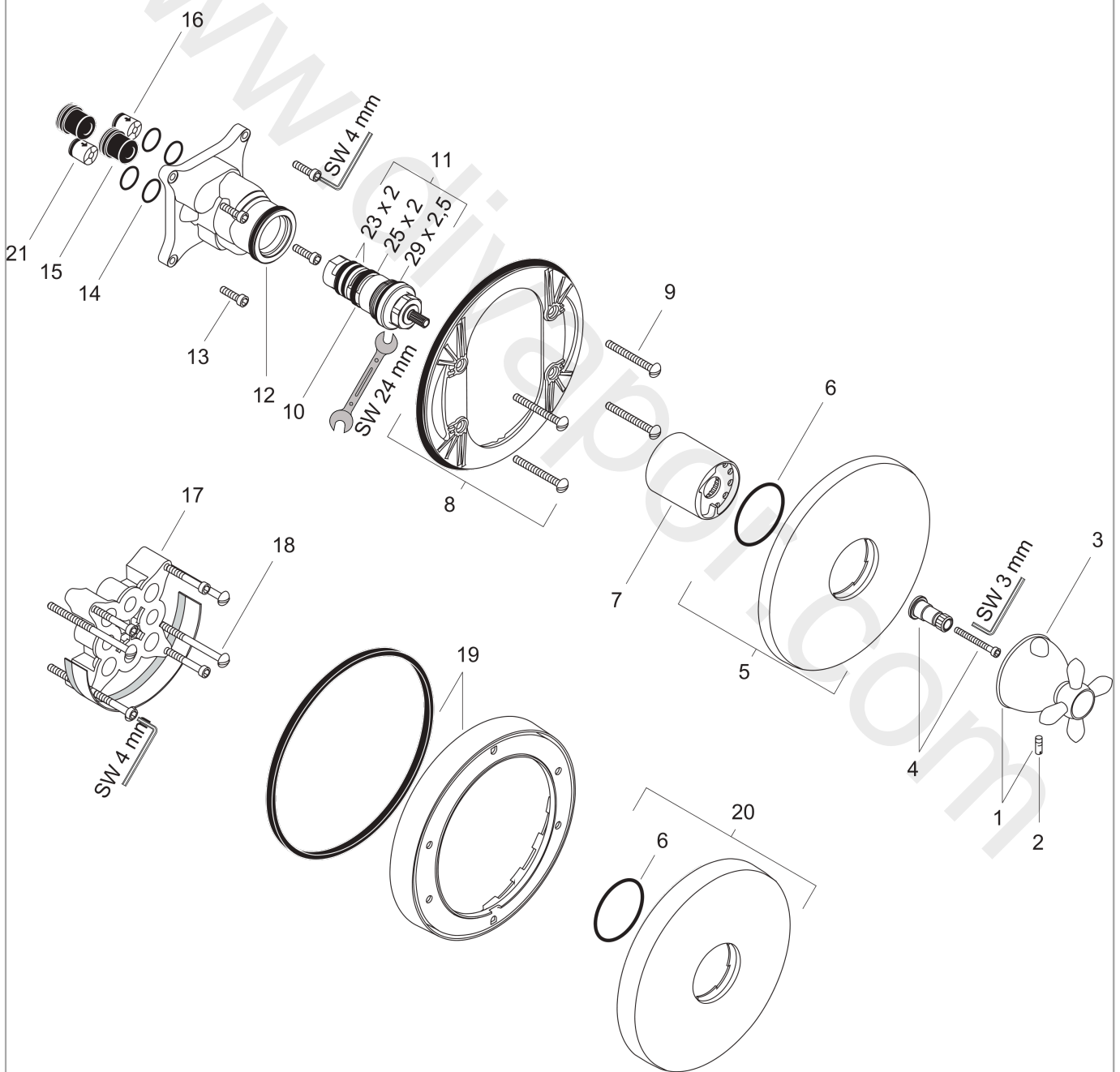


**AXOR Carlton**  
**Thermostatic mixer 43 l/min for concealed installation with cross handle**  
 Surfaces: Article Number: **17715090**



## Exploded Drawing

Year of production: **07/08 - 04/11**



**AXOR Carlton**  
**Thermostatic mixer 43 l/min for concealed installation with cross handle**  
 Surfaces: Article Number: **17715090**



## Spare part list

Year of production: **07/08 - 04/11**

Pos.		Article Number	Price	PU
1	handle for thermostat	17994000	£ 173,00	1
2	hollow set screw M5x16	97666000	£ 3,30	1
3	pushbutton red	97212000	£ 25,00	1
4	adapter for handle	96435000	£ 20,50	1
5	escutcheon Ø 170 mm	96452000	£ 64,00	1
6	sleeve	96439000	£ 43,00	1
7	O-ring 48x5	98174000	£ 3,30	1
8	sub plate	96447000	£ 51,00	1
9	set of fixing screws	96454000	£ 9,00	1
10	thermostat cartridge	94282000	£ 137,00	1
11	sealing set	95037000	£ 51,00	1
12	O-ring 39x2	98158000	£ 3,30	1
13	set of screws	96525000	£ 9,00	1
14	O-ring 16x2	98133000	£ 3,30	1
15	noise reduction	94073000	£ 25,00	1
16	set of non return valves DW 15	94074000	£ 16,10	1
17	extension 25 mm	13595000	£ 75,00	1
18	set of fixing screws	97747000	£ 3,30	1
19	extension 22 mm (Ø 170 mm)	13596000	£ 72,00	1
20	non return valve (pressure-resistant up to 2 MPa)	92594000	£ 16,10	1
a	concealed item	01800180	£ 163,00	1
b	pushbutton	97792000	£ 16,10	1
c	non return valve with filter	92499000	£ 16,10	1