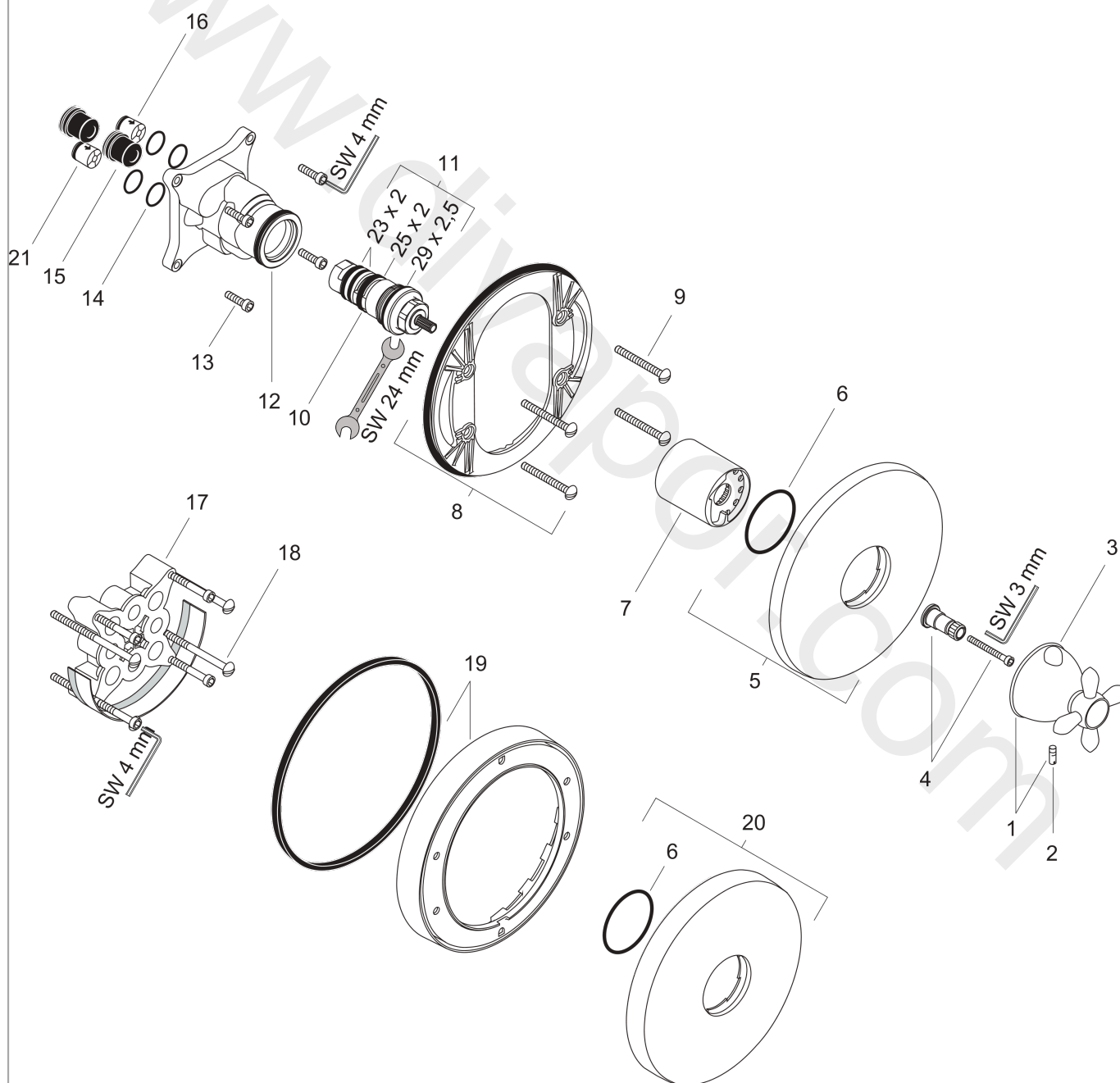


AXOR Carlton
Thermostatic mixer 43 l/min for concealed installation with cross handle
 Surfaces: Article Number: **17715000**



Exploded Drawing

Year of production: **07/08 - 04/11**



AXOR Carlton

Thermostatic mixer 43 l/min for concealed installation with cross handle

Surfaces: Article Number: 17715000



Spare part list

Year of production: 07/08 - 04/11

| Pos. | | Article Number | Price | PU |
|------|---|----------------|----------|----|
| 1 | handle for thermostat | 17994000 | £ 173,00 | 1 |
| 2 | hollow set screw M5x16 | 97666000 | £ 3,30 | 1 |
| 3 | pushbutton red | 97212000 | £ 25,00 | 1 |
| 4 | adapter for handle | 96435000 | £ 20,50 | 1 |
| 5 | escutcheon Ø 170 mm | 96452000 | £ 64,00 | 1 |
| 6 | sleeve | 96439000 | £ 43,00 | 1 |
| 7 | O-ring 48x5 | 98174000 | £ 3,30 | 1 |
| 8 | sub plate | 96447000 | £ 51,00 | 1 |
| 9 | set of fixing screws | 96454000 | £ 9,00 | 1 |
| 10 | thermostat cartridge | 94282000 | £ 137,00 | 1 |
| 11 | sealing set | 95037000 | £ 51,00 | 1 |
| 12 | O-ring 39x2 | 98158000 | £ 3,30 | 1 |
| 13 | set of screws | 96525000 | £ 9,00 | 1 |
| 14 | O-ring 16x2 | 98133000 | £ 3,30 | 1 |
| 15 | noise reduction | 94073000 | £ 25,00 | 1 |
| 16 | set of non return valves DW 15 | 94074000 | £ 16,10 | 1 |
| 17 | extension 25 mm | 13595000 | £ 75,00 | 1 |
| 18 | set of fixing screws | 97747000 | £ 3,30 | 1 |
| 19 | extension 22 mm (Ø 170 mm) | 13596000 | £ 72,00 | 1 |
| 20 | escutcheon height = 33 mm (when wall is not deep enough). | 14960000 | £ 71,00 | 1 |
| 21 | non return valve (pressure-resistant up to 2 MPa) | 92594000 | £ 16,10 | 1 |
| a | concealed item | 01800180 | £ 163,00 | 1 |
| b | pushbutton | 97792000 | £ 16,10 | 1 |
| c | non return valve with filter | 92499000 | £ 16,10 | 1 |