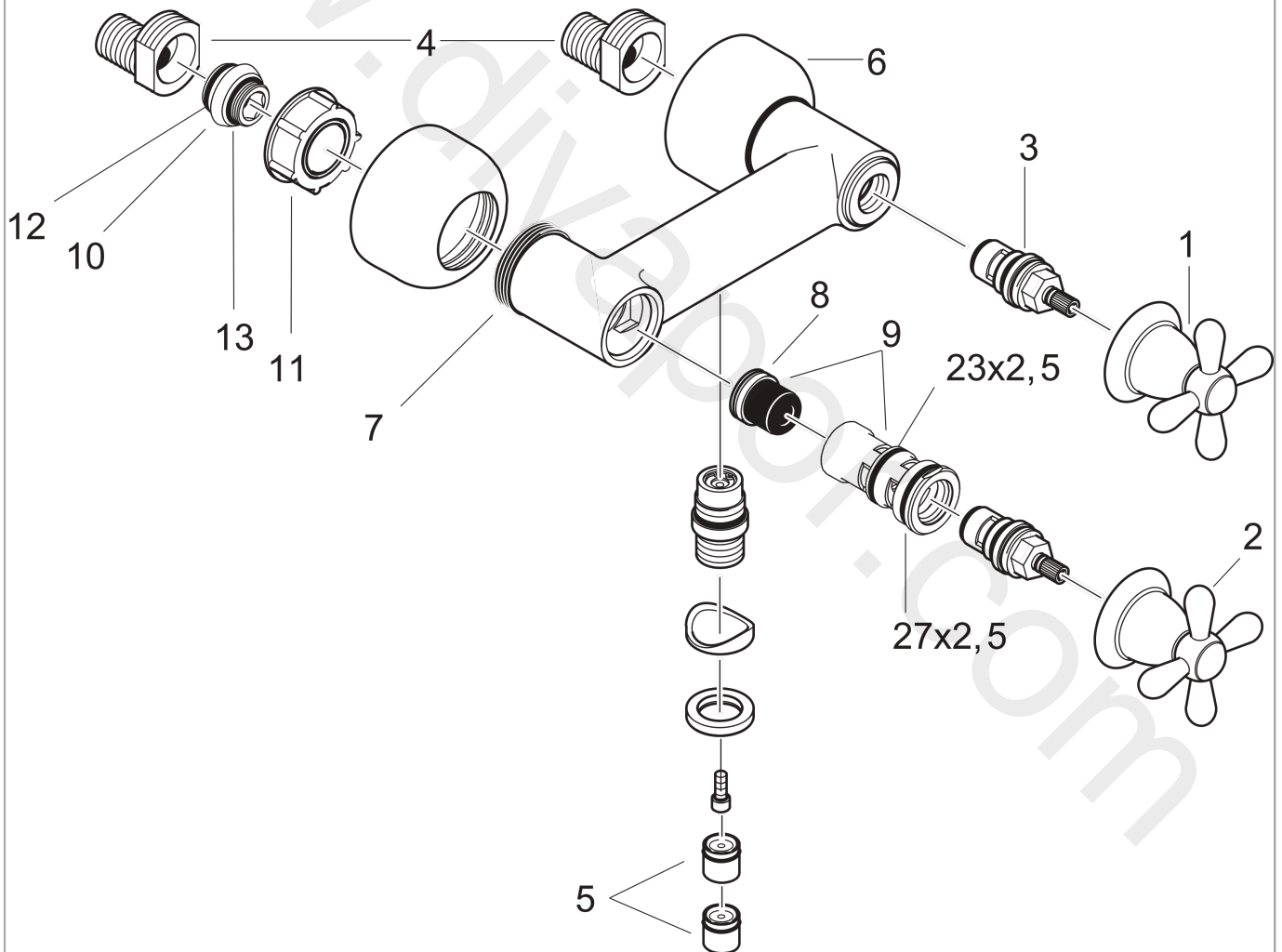


AXOR Carlton
2-handle shower mixer for exposed installation
Surfaces: Article Number: **17630090**



Exploded Drawing

Year of production: **05/94 - 12/17**



AXOR Carlton
2-handle shower mixer for exposed installation
 Surfaces: Article Number: **17630090**



Spare part list

Year of production: **05/94 - 12/17**

Pos.		Article Number	Price	PU
1	handle for cold water	17291000	£ 110,00	1
2	handle for hot water	17292090	£ 173,00	1
3	shut off unit	94149000	£ 35,00	1
4	ball S - unions	13989000	£ 43,00	1
5	set of non return valves DW 15	94074000	£ 16,10	1
6	escutcheon Ø 68 mm	96428000	£ 16,10	1
7	plastic thread	97751000	£ 6,10	1
8	noise reduction	94073000	£ 25,00	1
9	adapter for shut off unit	97254000	£ 64,00	1
10	connecting thread	97233000	£ 20,50	1
11	sleeve nut	97528000	£ 9,00	1
12	O-ring 20x2,5	92602000	£ 6,10	1
13	O-ring 17x1,5	98137000	£ 3,30	1
a	ball s-unions 120 - 180 mm	13988000	£ 137,00	1