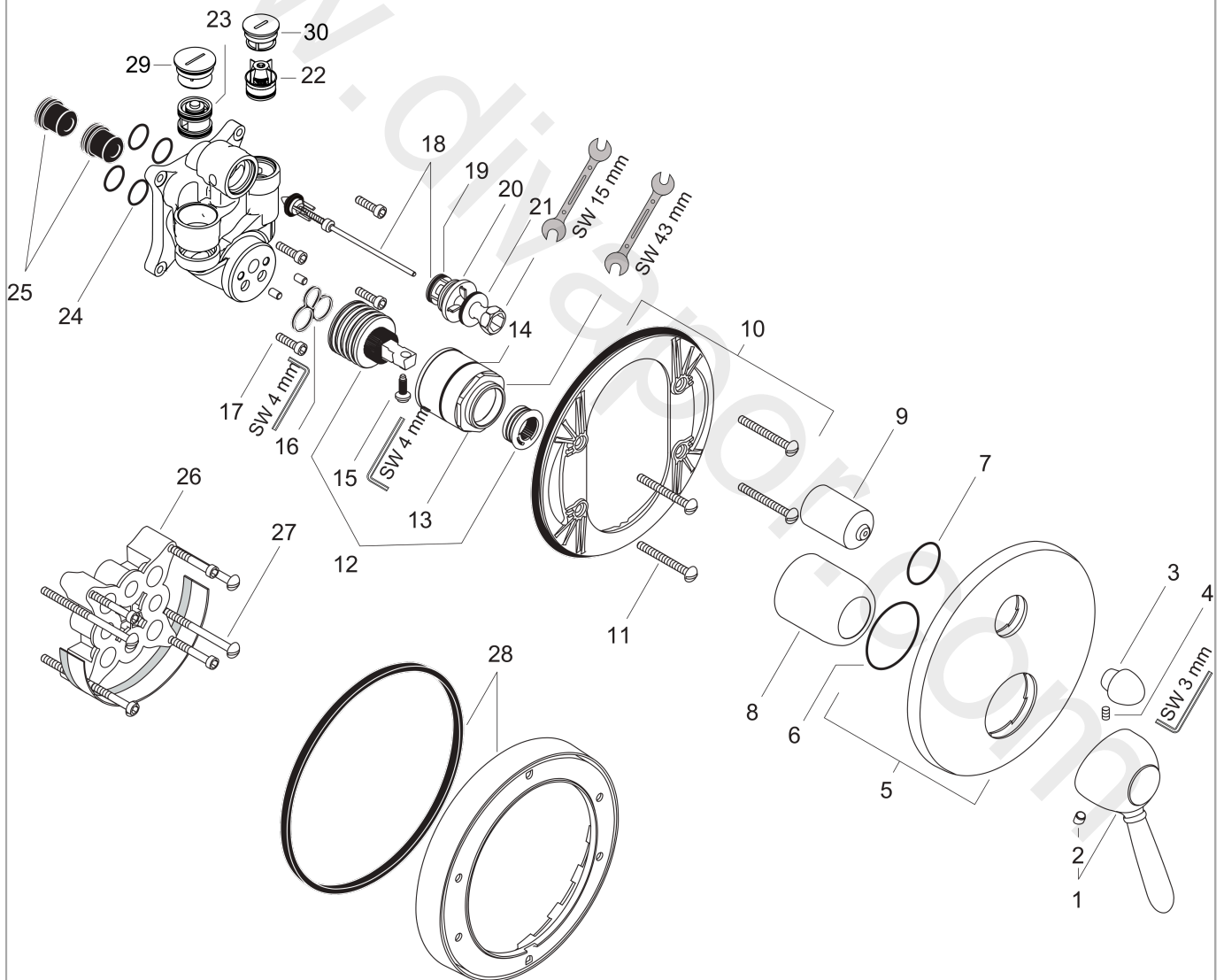


AXOR Carlton
Single lever bath mixer for concealed installation with integrated security combination
according to EN1717
 Surfaces: Article Number: **17417000**



Exploded Drawing

Year of production: **06/02 - 03/12**



AXOR Carlton
Single lever bath mixer for concealed installation with integrated security combination
according to EN1717
 Surfaces: Article Number: **17417000**



Spare part list

Year of production: **06/02 - 03/12**

Pos.		Article Number	Price	PU
1	handle	17092000	£ 137,00	1
2	screw cover	96338000	£ 3,30	1
3	diverter knob cpl.	95013000	£ 16,10	1
4	hollow set screw M4x10	97667000	£ 3,30	1
5	escutcheon Ø 170 mm	96453000	£ 64,00	1
6	O-ring 48x5	98174000	£ 3,30	1
7	O-ring 30x5	98153000	£ 3,30	1
8	flange	95010000	£ 35,00	1
9	sleeve	96448000	£ 43,00	1
10	sub plate	96447000	£ 51,00	1
11	set of fixing screws	96454000	£ 9,00	1
12	cartridge, assy	92730000	£ 35,00	1
13	nut	95007000	£ 51,00	1
14	O-ring 43x1,5	98148000	£ 3,30	1
15	locking screw for handle	96059000	£ 9,00	1
16	seal	95008000	£ 9,00	1
17	set of screws	96525000	£ 9,00	1
18	selector assy	95014000	£ 64,00	1
19	O-ring 16x2,3	98207000	£ 3,30	1
20	O-ring 20x2,5	92602000	£ 6,10	1
21	O-ring 21x2	98205000	£ 6,10	1
22	non return valve	96655000	£ 13,30	1
23	vacuum breaker	96753000	£ 16,10	1
24	O-ring 13x2	98128000	£ 3,30	1
25	noise reduction	94073000	£ 25,00	1
26	extension 25 mm	13595000	£ 75,00	1
27	set of fixing screws	97747000	£ 3,30	1
28	extension 22 mm (Ø 170 mm)	13596000	£ 72,00	1
29	O-Ring 22x2	98185000	£ 3,30	1
30	O-ring 19x2	98426000	£ 3,30	1
a	concealed item	01800180	£ 163,00	1