

AXOR Carlton
Single lever bath mixer for concealed installation
Finish: **Chrome** Article Number: **17415000**



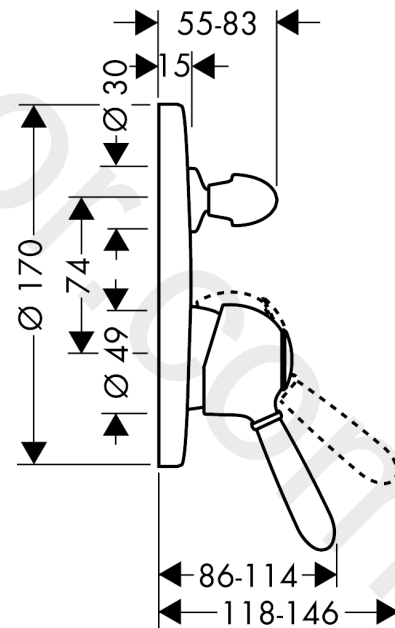
product features

- 2 functions
- ceramic cartridge
- temperature limitation adjustable
- diverter with automatic resetting
- with silencer
- suitable for continuous flow water heaters
- connection type: basic set
- wall-mounted
- min. operating pressure: 1 bar
- max. operating pressure: 10 bar
- WRAS 1903005

Product image



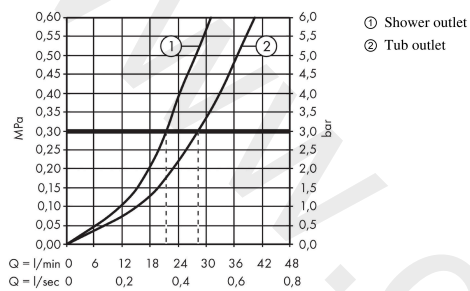
Scale drawing



AXOR Carlton
Single lever bath mixer for concealed installation
Finish: **Chrome** Article Number: **17415000**



Flowchart

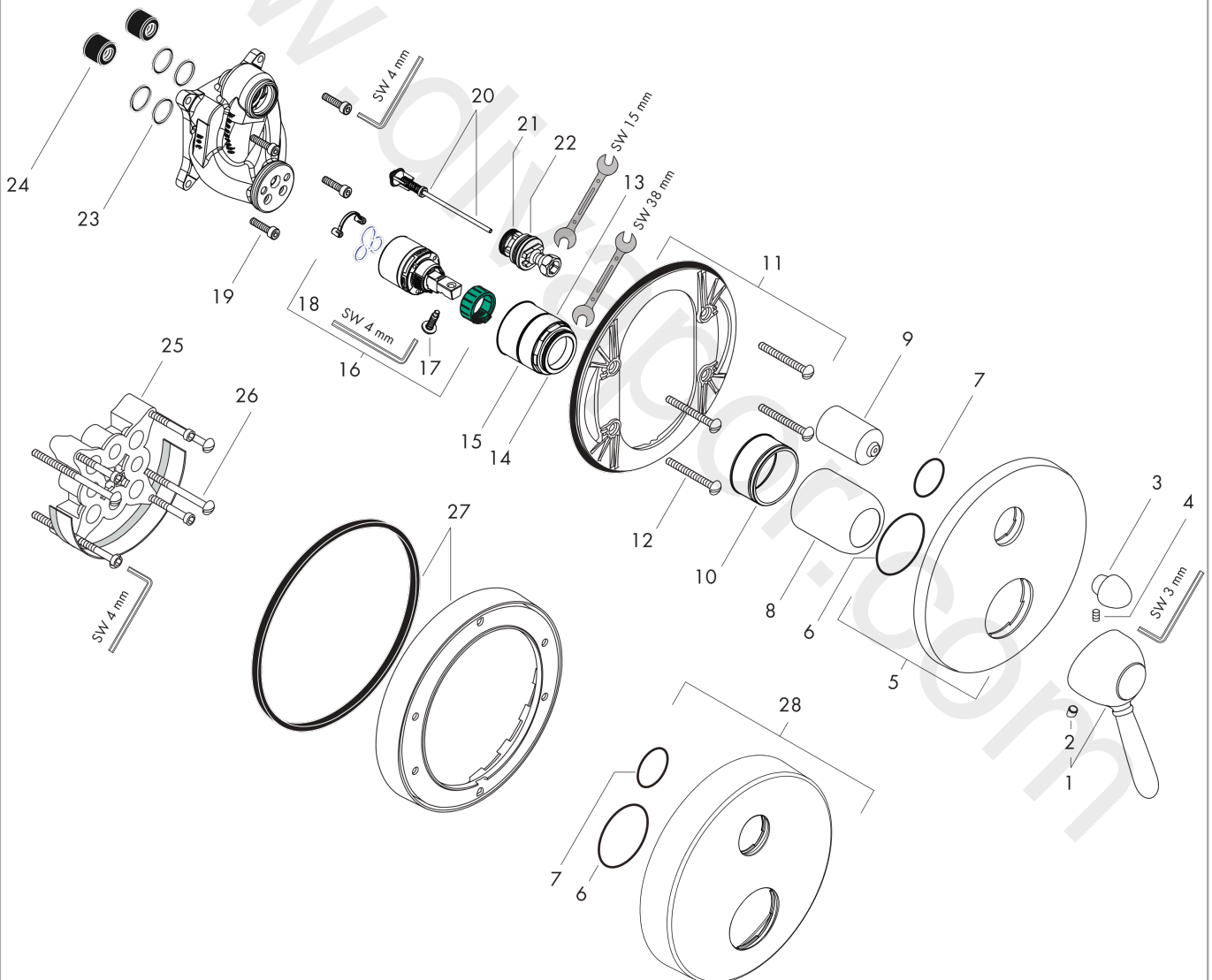


AXOR Carlton
Single lever bath mixer for concealed installation
Finish: **Chrome** Article Number: **17415000**



Exploded Drawing

Year of production: >01/17



AXOR Carlton
Single lever bath mixer for concealed installation
 Finish: **Chrome** Article Number: **17415000**



Spare part list

Year of production: >01/17

Pos.		Article Number	Price	PU
1	handle	17092000	£ 137,00	1
2	screw cover	96338000	£ 3,30	1
3	diverter knob cpl.	95013000	£ 16,10	1
4	hollow set screw M4x10	97667000	£ 3,30	1
5	escutcheon Ø 170 mm	96453000	£ 64,00	1
6	O-Ring 48x3	95508000	£ 3,30	1
7	O-ring 29x3	98371000	£ 6,10	1
8	flange	95010000	£ 35,00	1
9	sleeve	96448000	£ 43,00	1
10	O-ring 43x1,5	98148000	£ 3,30	1
11	sub plate	96447000	£ 51,00	1
12	set of fixing screws	96454000	£ 9,00	1
13	nut	98796000	£ 43,00	1
14	O-ring 30x1,5	98433000	£ 3,30	1
15	O-ring 39x1,5	98400000	£ 3,30	1
16	cartridge, assy	92730000	£ 35,00	1
17	locking screw for handle	95140000	£ 6,10	1
18	seal	95008000	£ 9,00	1
19	set of screws	96525000	£ 9,00	1
20	selector assy	95014000	£ 64,00	1
21	O-ring 16x2,3	98207000	£ 3,30	1
22	O-ring 20x2,5	92602000	£ 6,10	1
23	O-ring 16x2	98133000	£ 3,30	1
24	noise reduction	94073000	£ 25,00	1
25	extension 25 mm	13595000	£ 75,00	1
26	set of fixing screws	97747000	£ 3,30	1
27	extension 22 mm (Ø 170 mm)	13596000	£ 72,00	1
28	escutcheon height = 33 mm (when wall is not deep enough).	14961000	£ 71,00	1
a	concealed item	01800180	£ 163,00	1
b	adapter for exchanged connections	93181000	£ 275,00	1
c	spring for exchanged connections	96365000	£ 43,00	1