

Product Finish: Chrome / black

Product code: AT1244  
EAN13 barcode: 5060344153522



**Product features:**

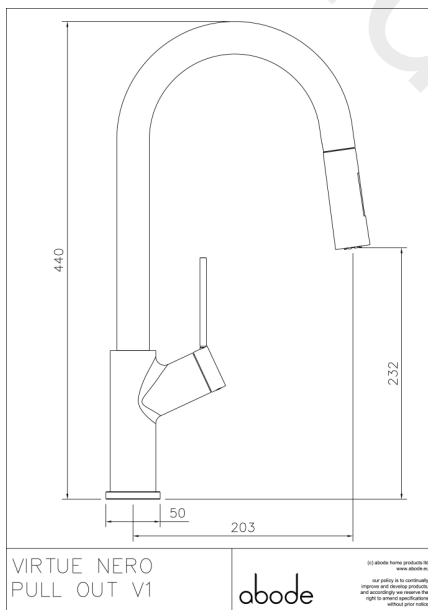
- Metal construction throughout
- Single lever control for effortless single handed control
- Contemporary design with contrasting handle and spout details
- Single spray pattern showerhead
- Supplied complete with flexible tail pipes for fast simple fitting

**Additional information / Parts included:**

The installation of this product should respect requirement IRN R090.  
Includes triangular stabilising bracket, TT Cache key, 2 x hose weights

Note: the image shown may not reflect the product finish, chrome finish is typically depicted.

**Product dimensions:**



- Overall Height / projection: 440 mm
- Exit reach: 203 mm
- Exit height: 232 mm
- Centre distance(s):

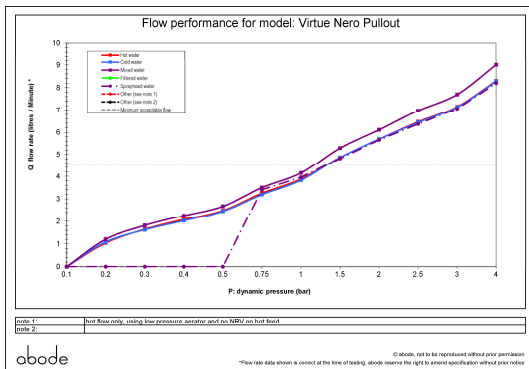
- Base diameter(s): 50 mm
- Recommended hole diameter: Ø 35 mm
- Max. surface depth: 60 mm

- Spout diameter: 30 mm
- Spout aerator size: 1/2" M

**Packaged properties:**

- Box length: 640mm
- Box depth: 75mm
- Box width: 270mm
- Units per outer: 5
- Tap only weight: 2.18kg
- Boxed weight: 3.72kg

**Product flow characteristics:**



- Min / Max water pressure: 1.50 / 5.5 bar
- Recommended / Max water temperature: 46°C / 70°C
- Part G - Mixed flow rate at 3 bar (litres / min): 07.70

- Control valve type: 35mm single lever ceramic cartridge
- Product flow characteristics: Single flow
- Non return valve(s): Hot & cold (separate)

- Aerator type: Honeycomb & spray
- Accepts revolve / spray areator: No
- Spout connection method: Grub screw

- Tail pipe inlet / outlet size: M8 / 1/2" BSP Female
- Inlet pipe type / length: flexible stainless braided hose / 450 mm

**Care instructions summary:**

- Clean the mixers and showers regularly as required, using soap, do not use any other cleaners.
- Regular cleaning will prevent the build-up of lime scale and dirt
- After cleaning rinse thoroughly with clean water to remove any cleaner residue
- Residues of sink & worktop cleaners can also cause damage, so rinse with clean water after using, avoid contact with any abrasives

**Warranty Summary (Full details available on request):**

- Materials and workmanship defects warranted for 5 years
- Valves and working parts warranted for 5 years
- Surface warranty defects warranted for 1 year
- O-rings, hoses & gaskets warranted for 1 year