

**AXOR Carlton**  
**Shower thermostat for exposed installation**  
 Finish: **Chrome** Article Number: **17261000**



### product features

- 1 function
- thermostat cartridge, ceramic valve 180°
- maximum flow rate at 3 bar: 20 l/min
- min. operating pressure: 1 bar
- max. operating pressure: 10 bar
- safety stop at 40 °C
- temperature limitation adjustable
- non-return valve
- with silencer
- centre distance: 150 ± 12 mm
- connection dimension: DN15
- connection type: s-shaped connections

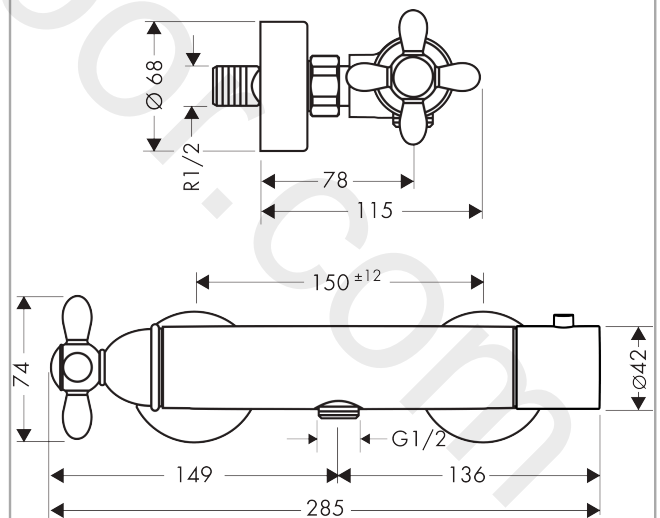
### Article Details

Price excl. VAT 691,67 £

### Product image



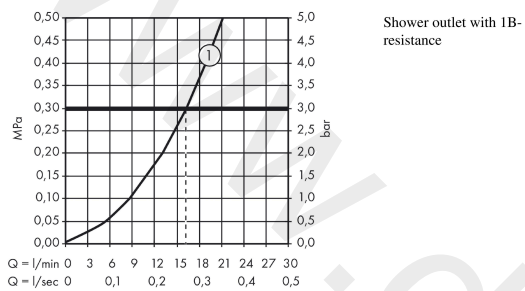
### Scale drawing



**AXOR Carlton**  
**Shower thermostat for exposed installation**  
Finish: **Chrome** Article Number: **17261000**



## Flowchart

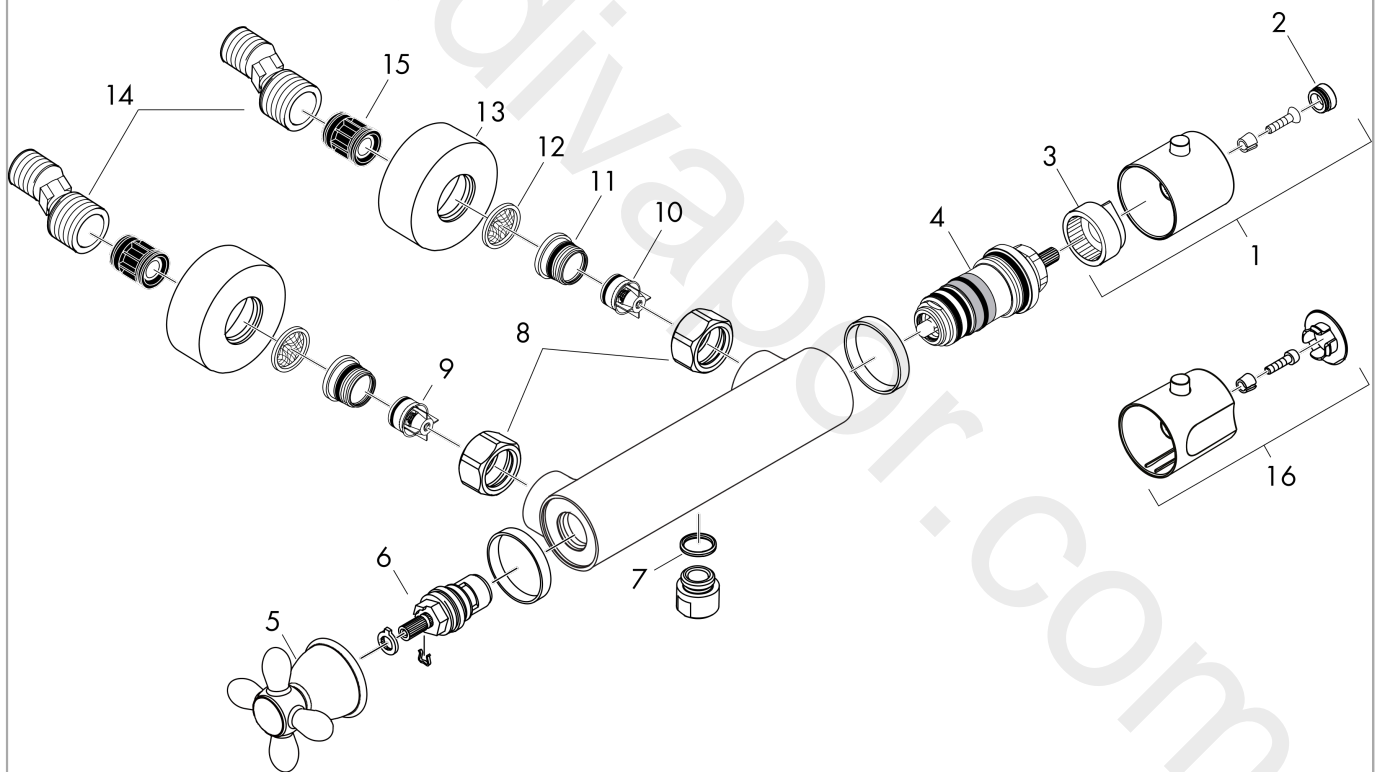


**AXOR Carlton**  
**Shower thermostat for exposed installation**  
Finish: **Chrome** Article Number: **17261000**



## Exploded Drawing

Year of production: >09/19



**AXOR Carlton**  
**Shower thermostat for exposed installation**  
 Finish: **Chrome** Article Number: **17261000**



## Spare part list

Year of production: >09/19

Pos.		Article Number	Price	PU
1	handle for thermostat	39398000	£ 110,00	1
2	screw cover	98906000	£ 35,00	1
3	safety set for temperature control	95041000	£ 16,10	1
4	thermostat cartridge	94282000	£ 137,00	1
5	handle	17396000	£ 137,00	1
6	shut off unit	94149000	£ 35,00	1
7	O-ring 14x2	98129000	£ 3,30	1
8	set of nuts	96157000	£ 35,00	1
9	non return valve (pressure-resistant up to 2 MPa)	93136000	£ 35,00	1
10	non return valve	96737000	£ 35,00	1
11	O-ring 17x1,5	98137000	£ 3,30	1
12	filter packing	96922000	£ 9,00	1
13	escutcheon Ø 68 mm	96467000	£ 20,50	1
14	noise reduction	96429000	£ 6,10	1
15	set of S-unions (±12 mm)	94140000	£ 51,00	1
16	handle	98920000	£ 43,00	1
a	pushbutton	92848000	£ 6,10	1