

**AXOR Carlton**  
**Thermostatic bath mixer for exposed installation**  
 Finish: **Chrome/Gold Optic** Article Number: **17241090**



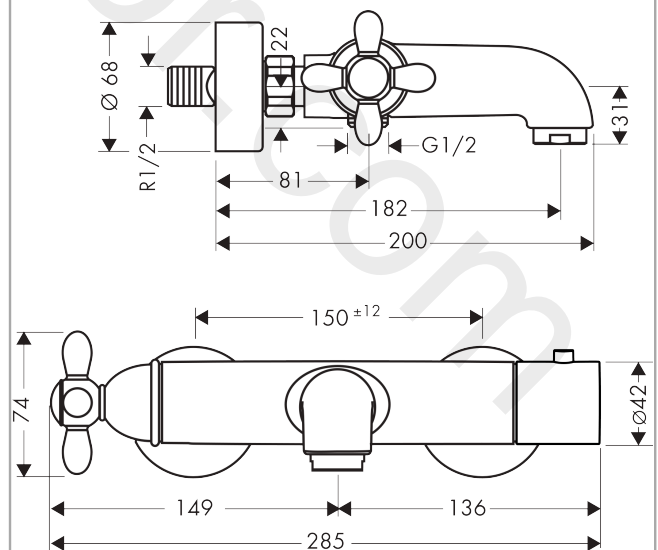
### product features

- projection 182 mm
- 2 functions
- spray type mixer: normal spray
- maximum flow rate at 3 bar: 20 l/min
- thermostat cartridge, shut-off valve
- safety stop at 40 °C
- temperature limitation adjustable
- non-return valve
- with silencer
- connection type: s-shaped connections
- connection dimension: DN15
- wall-mounted
- min. operating pressure: 1 bar
- max. operating pressure: 10 bar
- centre distance: 150 ± 12 mm

### Product image



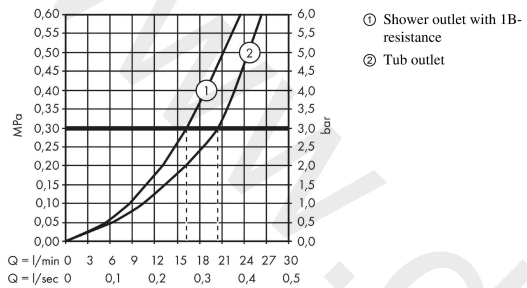
### Scale drawing



**AXOR Carlton**  
**Thermostatic bath mixer for exposed installation**  
 Finish: **Chrome/Gold Optic** Article Number: **17241090**



## Flowchart

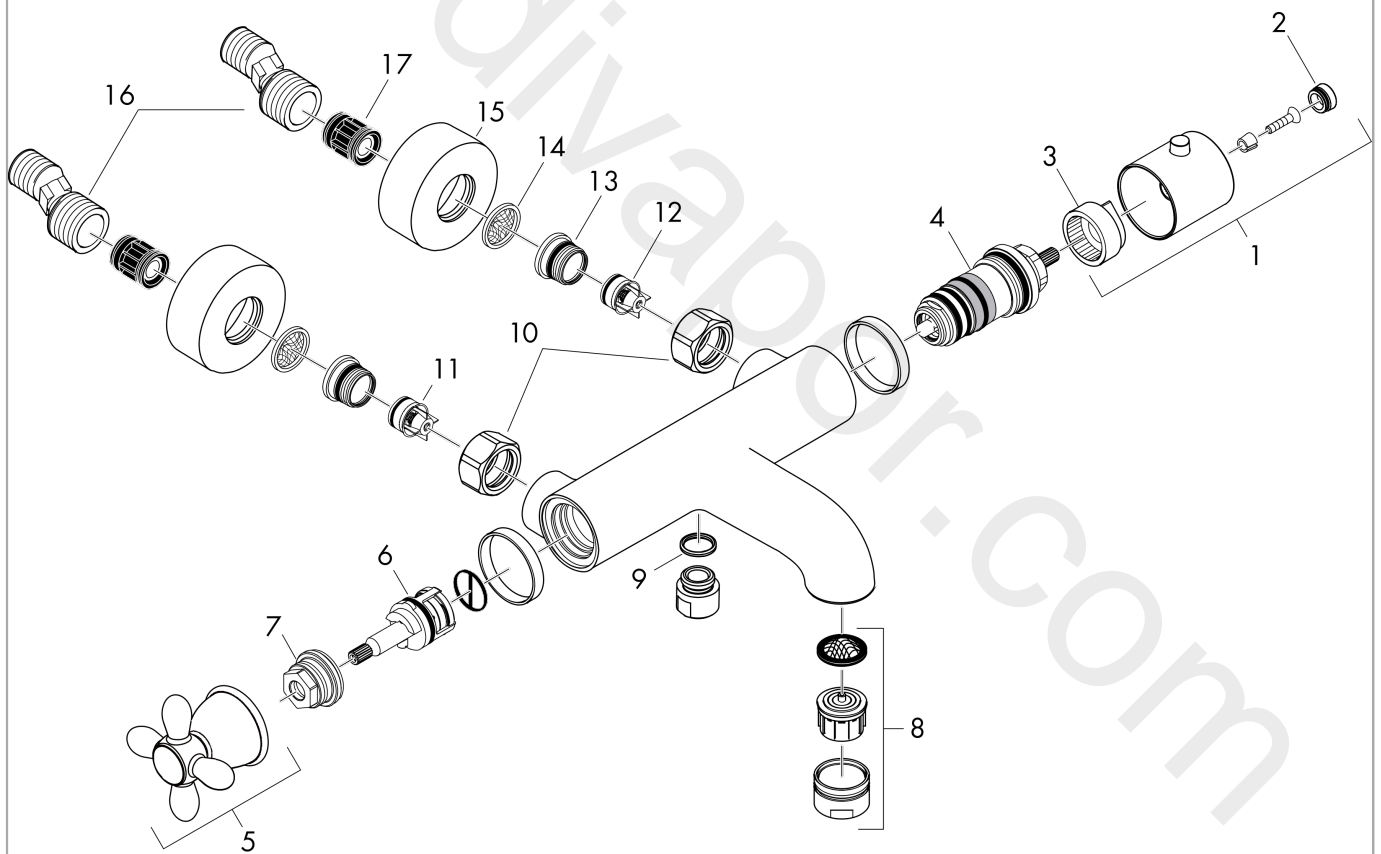


**AXOR Carlton**  
**Thermostatic bath mixer for exposed installation**  
Finish: **Chrome/Gold Optic** Article Number: **17241090**



## Exploded Drawing

Year of production: >09/19



**AXOR Carlton**  
**Thermostatic bath mixer for exposed installation**  
 Finish: **Chrome/Gold Optic** Article Number: **17241090**



## Spare part list

Year of production: >09/19

Pos.		Article Number	Price	PU
1	handle for thermostat	39398000	£ 110,00	1
2	screw cover	98906000	£ 35,00	1
3	safety set for temperature control	95041000	£ 16,10	1
4	thermostat cartridge	94282000	£ 137,00	1
5	handle	17396000	£ 137,00	1
6	shut off unit with selector	96509000	£ 96,00	1
7	nut	92853000	£ 9,00	1
8	aerator M24x1 (25 l/min)	92511000	£ 13,30	1
9	O-ring 14x2	98129000	£ 3,30	1
10	set of nuts	96157000	£ 35,00	1
11	non return valve (pressure-resistant up to 2 MPa)	93136000	£ 35,00	1
12	non return valve	96737000	£ 35,00	1
13	O-ring 17x1,5	98137000	£ 3,30	1
14	filter packing	96922000	£ 9,00	1
15	escutcheon Ø 68 mm	96467000	£ 20,50	1
16	set of S-unions (±12 mm)	94140000	£ 51,00	1
17	noise reduction	96429000	£ 6,10	1