

AXOR Carlton
3-hole basin mixer 120 with pop-up waste set, lever handles and high spout
 Finish: **Chrome/Gold Optic** Article Number: **17134090**



product features

- consists of: 3-hole basin mixer, waste set
- ComfortZone 120
- projection: 128 mm
- handle variant: lever handle
- spray type: normal spray
- maximum flow rate at 3 bar: 5 l/min
- ceramic valves hot/cold 90°
- suitable for continuous flow water heaters
- pop-up waste set G 1¼
- connection type: G ¾ connections
- connection dimension: DN15

Article Details

Price excl. VAT 1.941,67 £

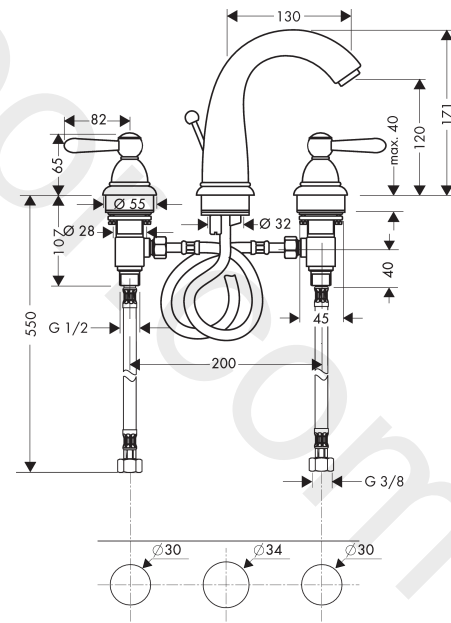
Technology



Product image



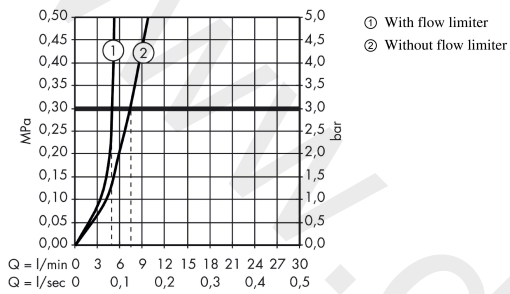
Scale drawing



AXOR Carlton
3-hole basin mixer 120 with pop-up waste set, lever handles and high spout
 Finish: **Chrome/Gold Optic** Article Number: **17134090**



Flowchart

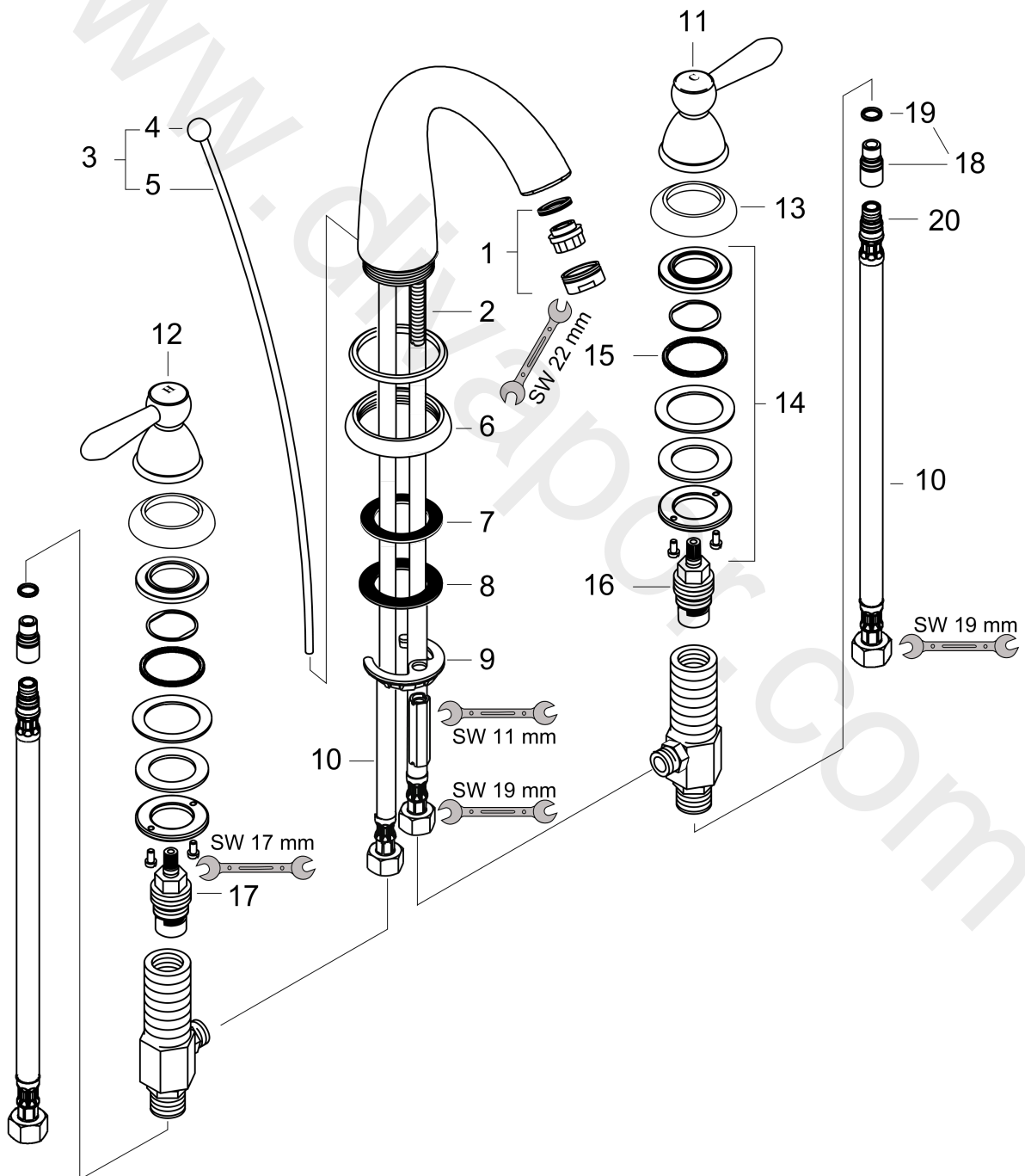


AXOR Carlton
3-hole basin mixer 120 with pop-up waste set, lever handles and high spout
 Finish: **Chrome/Gold Optic** Article Number: **17134090**



Exploded Drawing

Year of production: >11/13



AXOR Carlton
3-hole basin mixer 120 with pop-up waste set, lever handles and high spout
 Finish: **Chrome/Gold Optic** Article Number: **17134090**



Spare part list

Year of production: >11/13

Pos.		Article Number	Price	PU
1	aerator M24x1 (5 l/min)	13185990	£ 51,00	1
2	screw M8 x 68	97736000	£ 6,10	1
3	pop up rod	92620000	£ 35,00	1
4	diverter knob	94066000	£ 9,00	1
5	pull rod	94067000	£ 20,50	1
6	escutcheon	89446000	-	1
7	sealing washer	97825000	£ 3,30	1
8	lever collar	97548000	£ 3,30	1
9	fixing set	96016000	£ 35,00	1
10	connection hose 450 mm M8x0,75 G3/8	97206000	£ 35,00	1
11	handle for cold water	17296090	£ 275,00	1
12	handle for hot water	17295090	£ 275,00	1
13	escutcheon for handle	94035000	£ 20,50	1
14	fixing set for shut off unit	88511000	£ 51,00	1
15	O-ring 40x3	92634000	£ 3,30	1
16	shut off unit left closing	94008000	£ 43,00	1
17	shut off unit right closing	94009000	£ 43,00	1
18	set of connecting threads	98350000	£ 6,10	1
19	O-ring 8x1,75	97827000	£ 3,30	1
20	O-ring 7x1,5	98422000	£ 3,30	1
a	pop up waste	94139000	£ 96,00	1