

**AXOR Carlton**  
**3-hole basin mixer 50 with pop-up waste set and cross handles**  
 Finish: **Polished Gold Optic** Article Number: **17133990**



### product features

- consists of: 3-hole basin mixer, waste set
- ComfortZone 50
- projection: 136 mm
- spray type: normal spray
- maximum flow rate at 3 bar: 5 l/min
- ceramic valves hot/ cold 180°
- suitable for continuous flow water heaters
- pop-up waste set G 1¼
- connection type: G ¾ connections
- connection dimension: DN15

### Article Details

Price excl. VAT

1.487,50 £

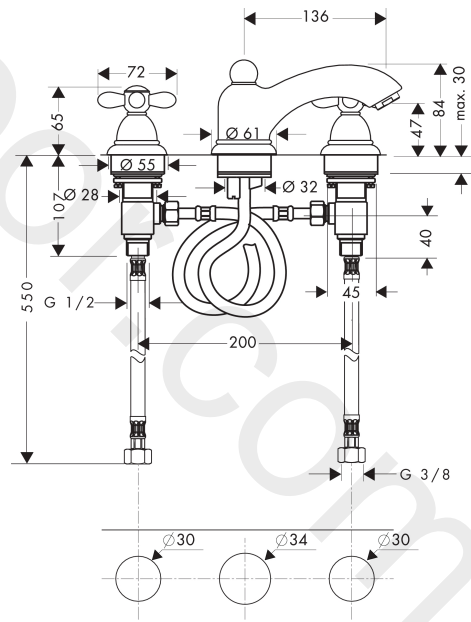
### Technology



### Product image



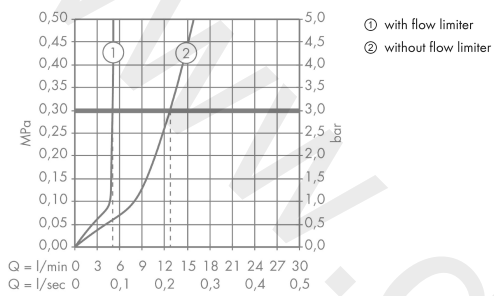
### Scale drawing



**AXOR Carlton**  
**3-hole basin mixer 50 with pop-up waste set and cross handles**  
Finish: **Polished Gold Optic** Article Number: **17133990**



## Flowchart

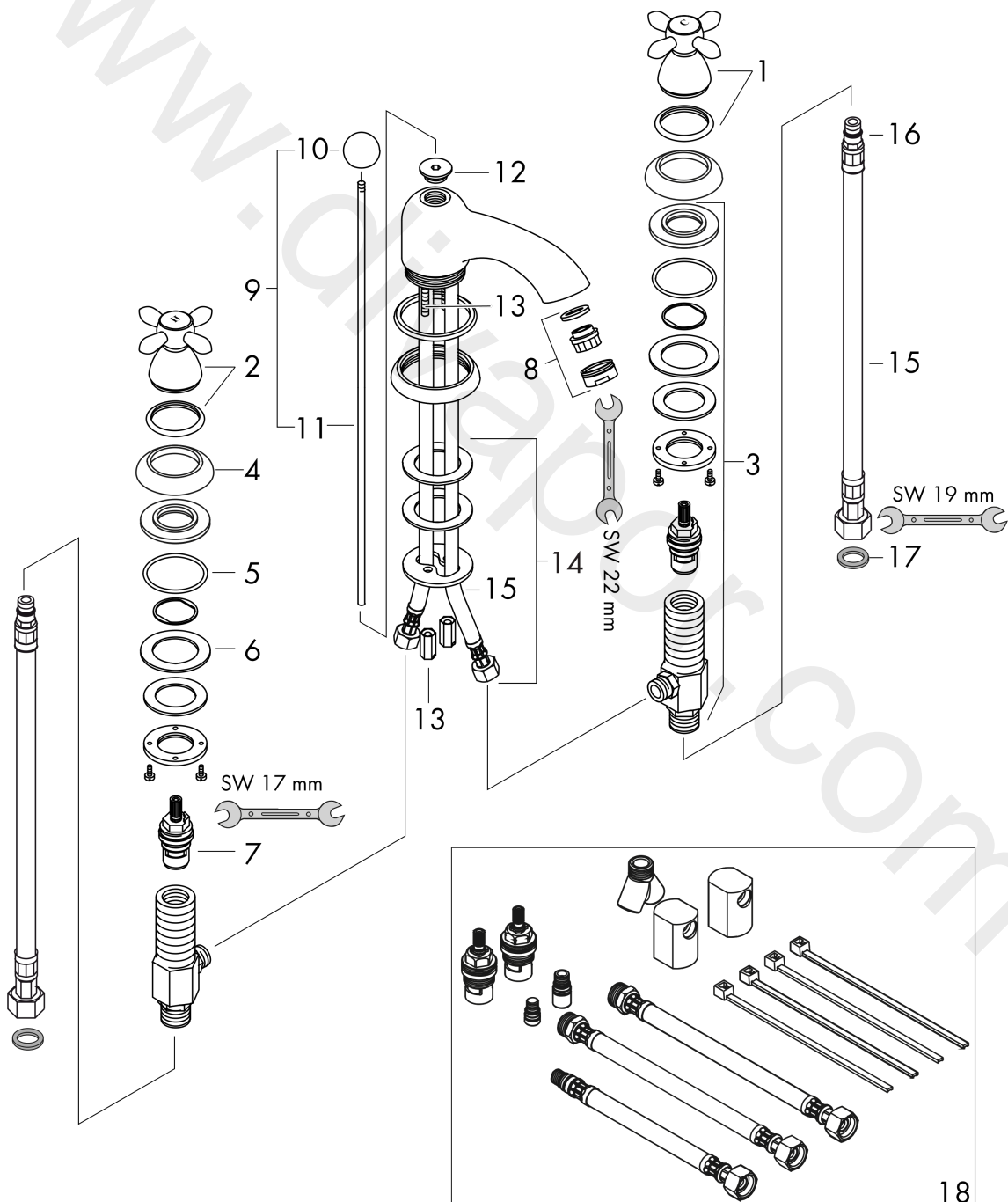


**AXOR Carlton**  
**3-hole basin mixer 50 with pop-up waste set and cross handles**  
 Finish: **Polished Gold Optic** Article Number: **17133990**



## Exploded Drawing

Year of production: >10/16



**AXOR Carlton**  
**3-hole basin mixer 50 with pop-up waste set and cross handles**  
 Finish: **Polished Gold Optic** Article Number: **17133990**



## Spare part list

Year of production: >10/16

Pos.		Article Number	Price	PU
1	handle for cold water	17291990	£ 19,80	1
2	handle for hot water	17292990	£ 19,80	1
3	stop valve cpl.	92933000	£ 137,00	1
4	escutcheon for handle	94035990	-	1
5	O-ring 40x3	92634000	£ 3,30	1
6	lever collar	97548000	£ 3,30	1
7	shut off unit	94149000	£ 35,00	1
8	aerator M24x1 (5 l/min)	13185990	£ 51,00	1
9	pop up rod	94028990	-	1
10	diverter knob	94086990	£ 33,00	1
11	pull rod	94067000	£ 20,50	1
12	deco-ring	97824990	£ 64,00	1
13	threaded rod and nut	97654000	£ 6,10	1
14	fixing set	94138000	£ 43,00	1
15	connection hose 450 mm M10x1 G3/8	96507000	£ 43,00	1
16	O-ring 8x1,75	97827000	£ 3,30	1
17	sealing set	95581000	£ 6,10	1
18	Hose extension set for 3-Hole Basin Mixer	38959000	£ 147,00	1
a	pop up waste	94139990	£ 144,00	1