

Basic set 52 l/min for shut-off valve for concealed installation spindle
 Finish: n.a. Article Number: 16973180



product features

- connection type: DN15
- suitable for all shut-off valves finish sets
- maximum flow rate at 3 bar: 52 l/min
- connection dimension: DN15

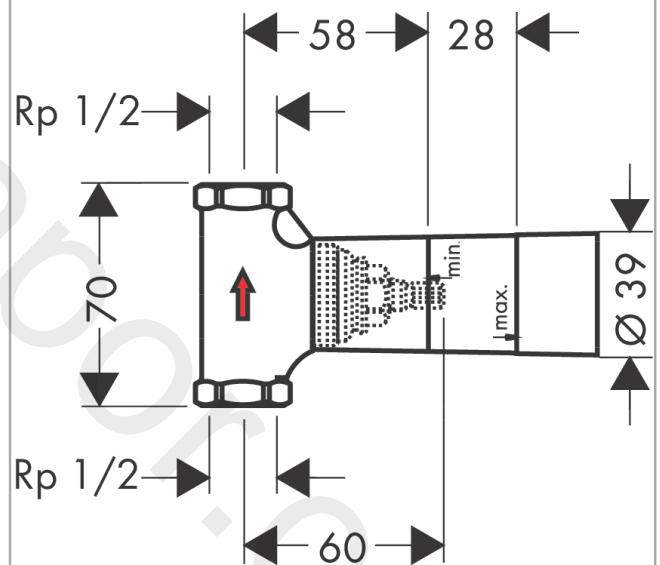
Article Details

Price excl. VAT 108,33 £

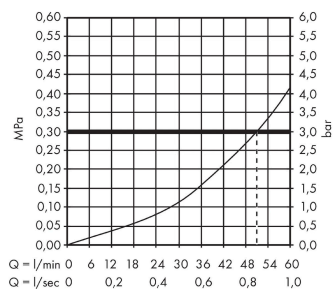
Product image



Scale drawing



Flowchart

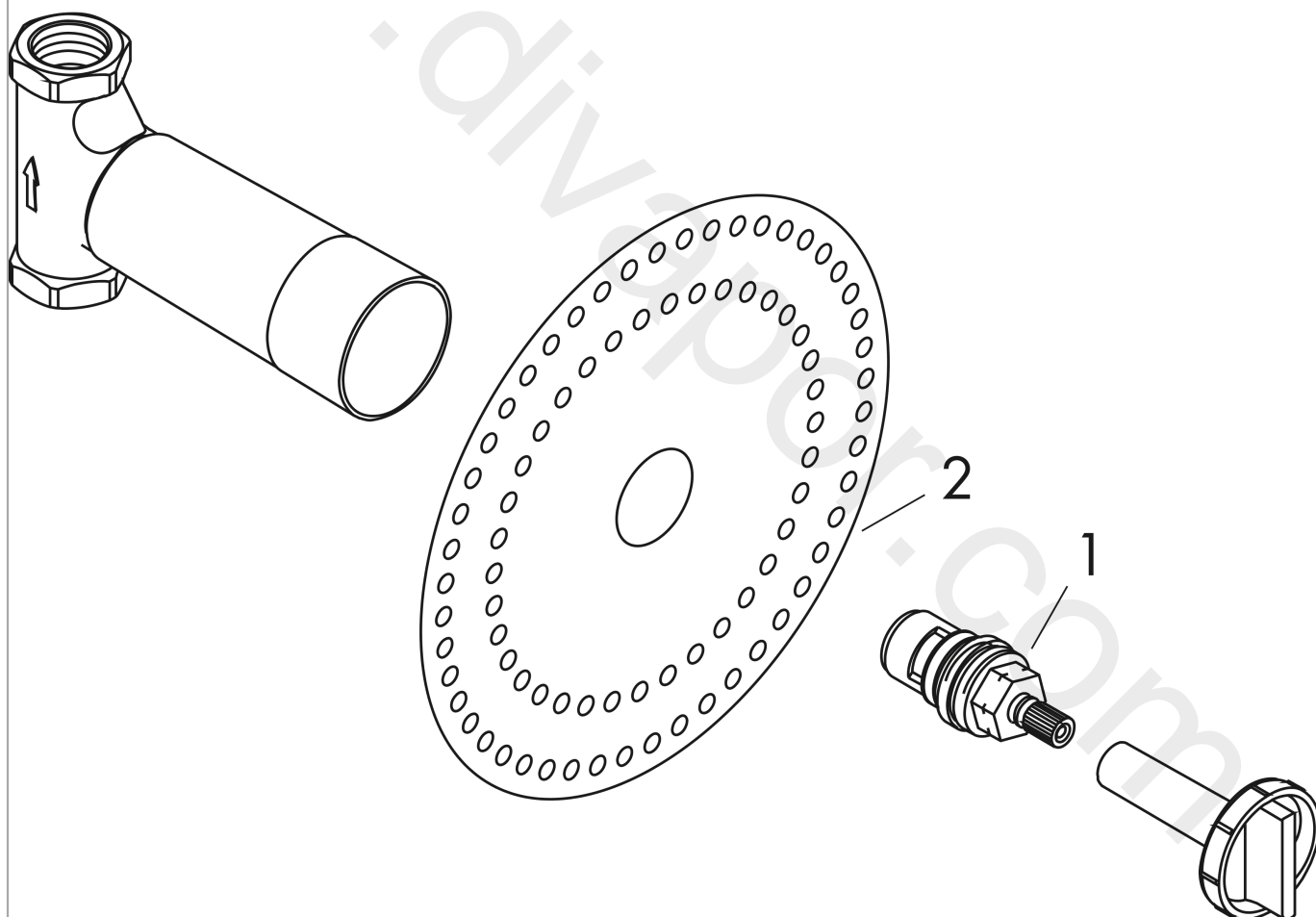


Basic set 52 l/min for shut-off valve for concealed installation spindle
Finish: n.a. Article Number: 16973180



Exploded Drawing

Year of production: >10/17



Basic set 52 l/min for shut-off valve for concealed installation spindle

Finish: n.a. Article Number: 16973180

**Spare part list**

Year of production: >10/17

Pos.		Article Number	Price	PU
1	shut off unit with spindle 1/2"	94142000	£ 35,00	1
2	sealing foil	96492000	£ 9,00	1