

Basic set 130 l/min for shut-off valve for concealed installation spindle
 Finish: n.a. Article Number: **16970180**



product features

- suitable for all shut-off valves finish sets
- maximum flow rate at 3 bar: 130 l/min
- connection dimension: DN20

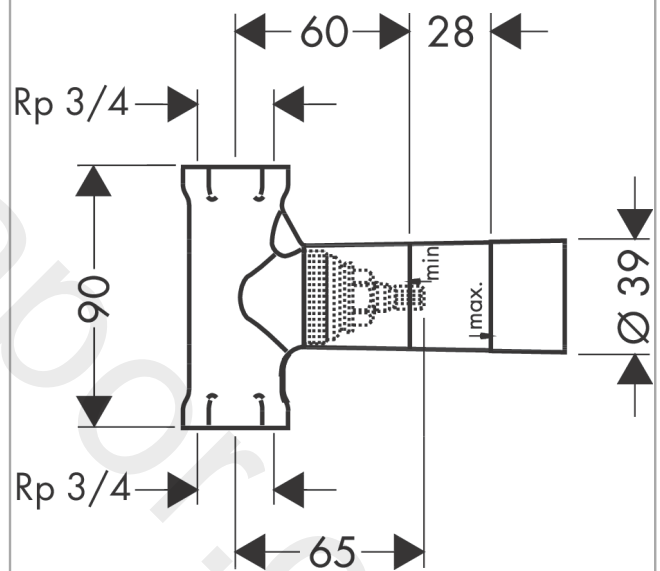
Article Details

Price excl. VAT 115,00 £

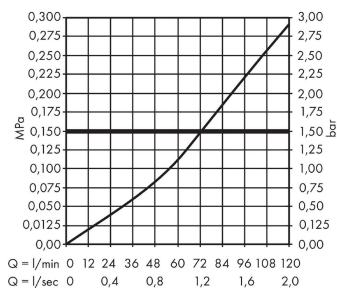
Product image



Scale drawing



Flowchart

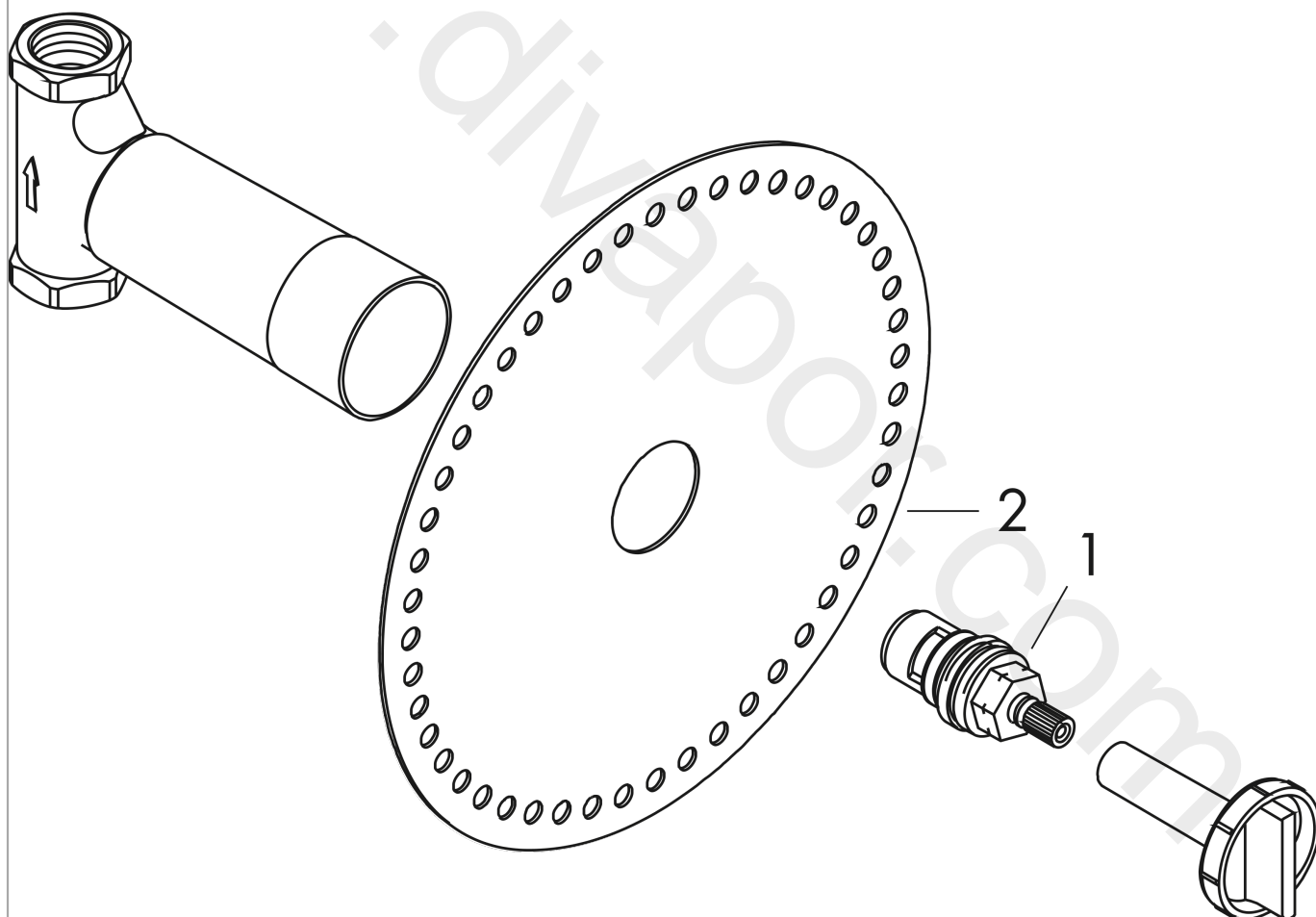


Basic set 130 l/min for shut-off valve for concealed installation spindle
Finish: n.a. Article Number: 16970180



Exploded Drawing

Year of production: >10/17



Basic set 130 l/min for shut-off valve for concealed installation spindle

Finish: n.a. Article Number: **16970180**



Spare part list

Year of production: >10/17

Pos.		Article Number	Price	PU
1	shut off unit with spindle DN20 (3/4")	92929000	£ 35,00	1
2	sealing foil	96492000	£ 9,00	1