

AXOR Montreux
Thermostat HighFlow for concealed installation with lever handle
 Finish: **Brushed Nickel** Article Number: **16824820**



product features

- thermostat cartridge
- maximum flow rate at 3 bar: 59 l/min
- flow rate upper outlet: 42 l/min
- flow rate lower outlet: 42 l/min
- min. operating pressure: 1 bar
- max. operating pressure: 10 bar
- safety stop at 40 °C
- temperature limitation adjustable
- non-return valve
- with silencer
- connection type: basic set
- WRAS 2305061
- WRAS 2305061 - Approval letter 2305061

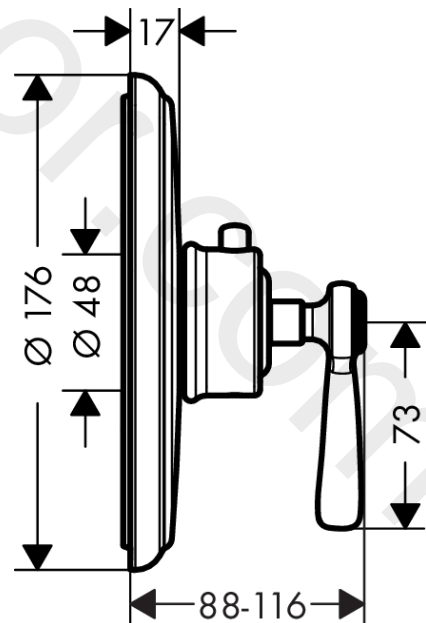
Article Details

Price excl. VAT 1.225,00 £

Product image



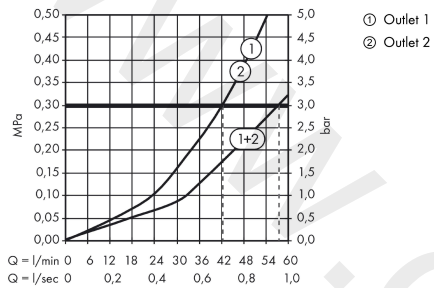
Scale drawing



AXOR Montreux
Thermostat HighFlow for concealed installation with lever handle
 Finish: **Brushed Nickel** Article Number: **16824820**



Flowchart

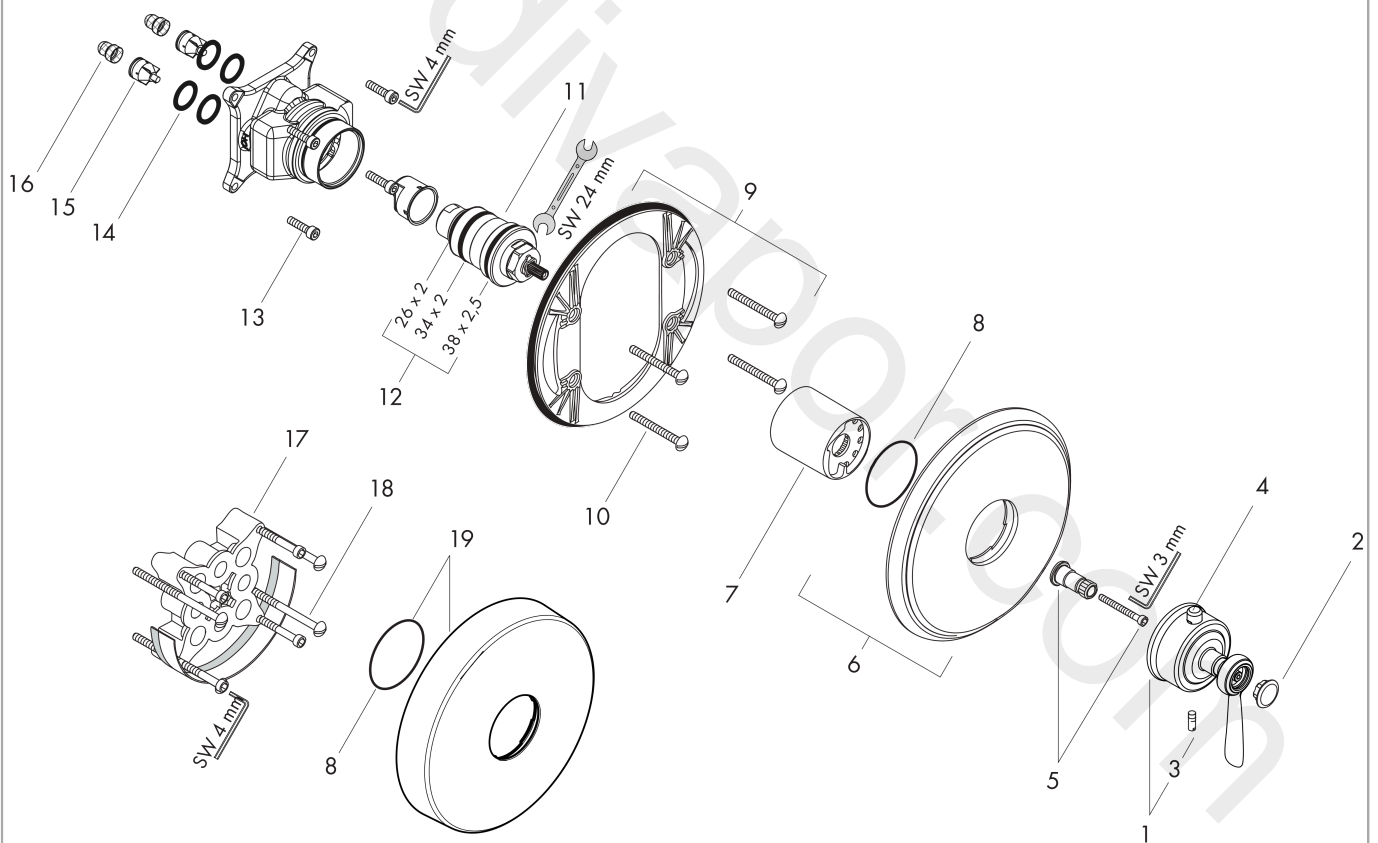


AXOR Montreux
Thermostat HighFlow for concealed installation with lever handle
Finish: **Brushed Nickel** Article Number: **16824820**



Exploded Drawing

Year of production: >10/16



AXOR Montreux
Thermostat HighFlow for concealed installation with lever handle
 Finish: **Brushed Nickel** Article Number: **16824820**



Spare part list

Year of production: >10/16

Pos.		Article Number	Price	PU
1	handle for thermostat	16694820	£ 370,00	1
2	set of screw covers, cold / hot water / neutral	97987000	£ 64,00	1
3	hollow set screw M5x16	97666000	£ 3,30	1
4	pushbutton	97792820	£ 25,00	1
5	adapter for handle	96435000	£ 20,50	1
6	escutcheon	98648820	£ 445,00	1
7	sleeve	97439820	£ 64,00	1
8	O-Ring 48x3	95508000	£ 3,30	1
9	sub plate	96447000	£ 51,00	1
10	set of fixing screws	96454000	£ 9,00	1
11	thermostat cartridge	96633000	£ 137,00	1
12	sealing set	96636000	£ 51,00	1
13	set of screws	96525000	£ 9,00	1
14	O-ring 16x2	98133000	£ 3,30	1
15	set of non return valves DW 15	97350000	£ 20,50	1
16	filter	98513000	£ 3,30	1
17	extension 25 mm	13595000	£ 75,00	1
18	set of fixing screws	97747000	£ 3,30	1
19	escutcheon height = 33 mm (when wall is not deep enough).	14960820	£ 106,56	1
a	concealed item	01800180	£ 163,00	1
b	adapter for exchanged connections	93181000	£ 275,00	1