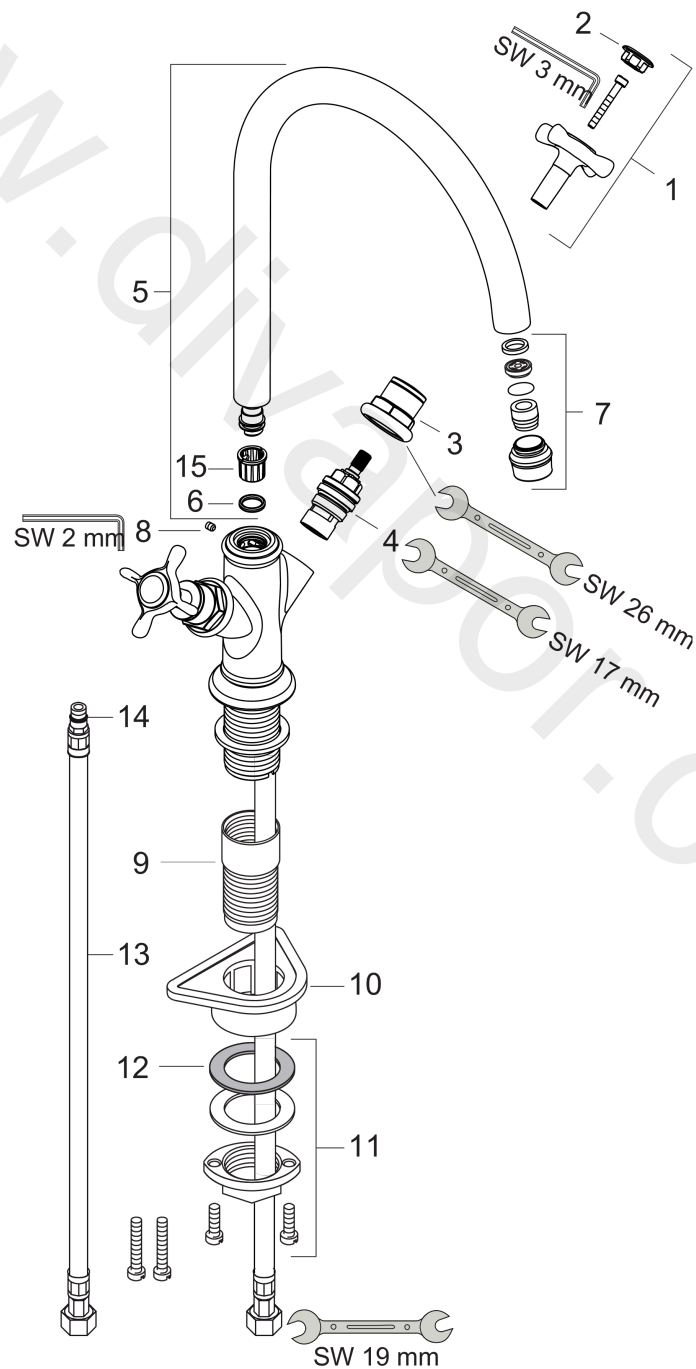


AXOR Montreux
2-Handle Kitchen Mixer DN15
Surfaces: Article Number: **16802820**



Exploded Drawing

Year of production: **10/10 - 07/12**



AXOR Montreux
2-Handle Kitchen Mixer DN15
 Surfaces: Article Number: **16802820**



Spare part list

Year of production: **10/10 - 07/12**

Pos.		Article Number	Price	PU
1	handle	16291820	£ 137,00	1
2	set of screw covers, cold / hot water / neutral	97987000	£ 64,00	1
3	sleeve	97993820	£ 79,00	1
4	shut off unit right closing	94009000	£ 43,00	1
5	spout cpl.	98616820	£ 370,00	1
6	O-ring 11x2	98127000	£ 3,30	1
7	aerator laminar M18x1 (15 l/min)	98617820	£ 96,00	1
8	hollow set screw M4x5	98731000	£ 3,30	1
9	fixation extension 35 mm	13898000	£ 79,00	1
10	support	97523000	£ 6,10	1
11	fixing set (Ø 32)	13961000	£ 25,00	1
12	lever collar	97548000	£ 3,30	1
13	connection hose 900 mm M8x0,75 G3/8	96316000	£ 43,00	1
14	O-ring 7x1,5	98422000	£ 3,30	1
15	lever collar	92849000	£ 9,00	1