

## AXOR Montreux

Thermostat for concealed installation with cross handle and shut-off valve

Finish: **Chrome** Article Number: **16800003**



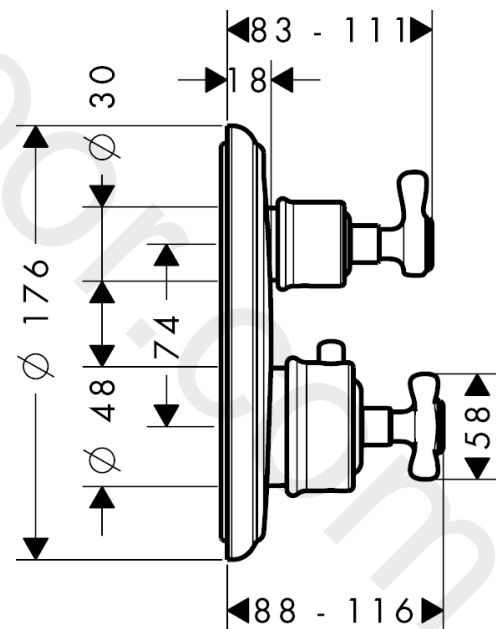
### product features

- 1 function
- thermostat cartridge, ceramic valves 90°
- maximum flow rate at 3 bar: 26 l/min
- min. operating pressure: 1 bar
- max. operating pressure: 10 bar
- Safety stop at 40 °C
- temperature limitation adjustable
- non-return valve
- with silencer
- connection type: basic set

### Product image



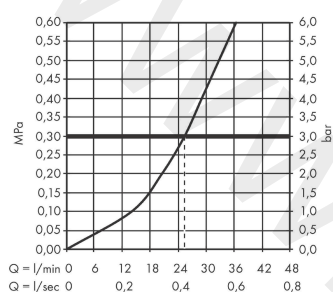
### Scale drawing



**AXOR Montreux**  
**Thermostat for concealed installation with cross handle and shut-off valve**  
Finish: **Chrome** Article Number: **16800003**



## Flowchart

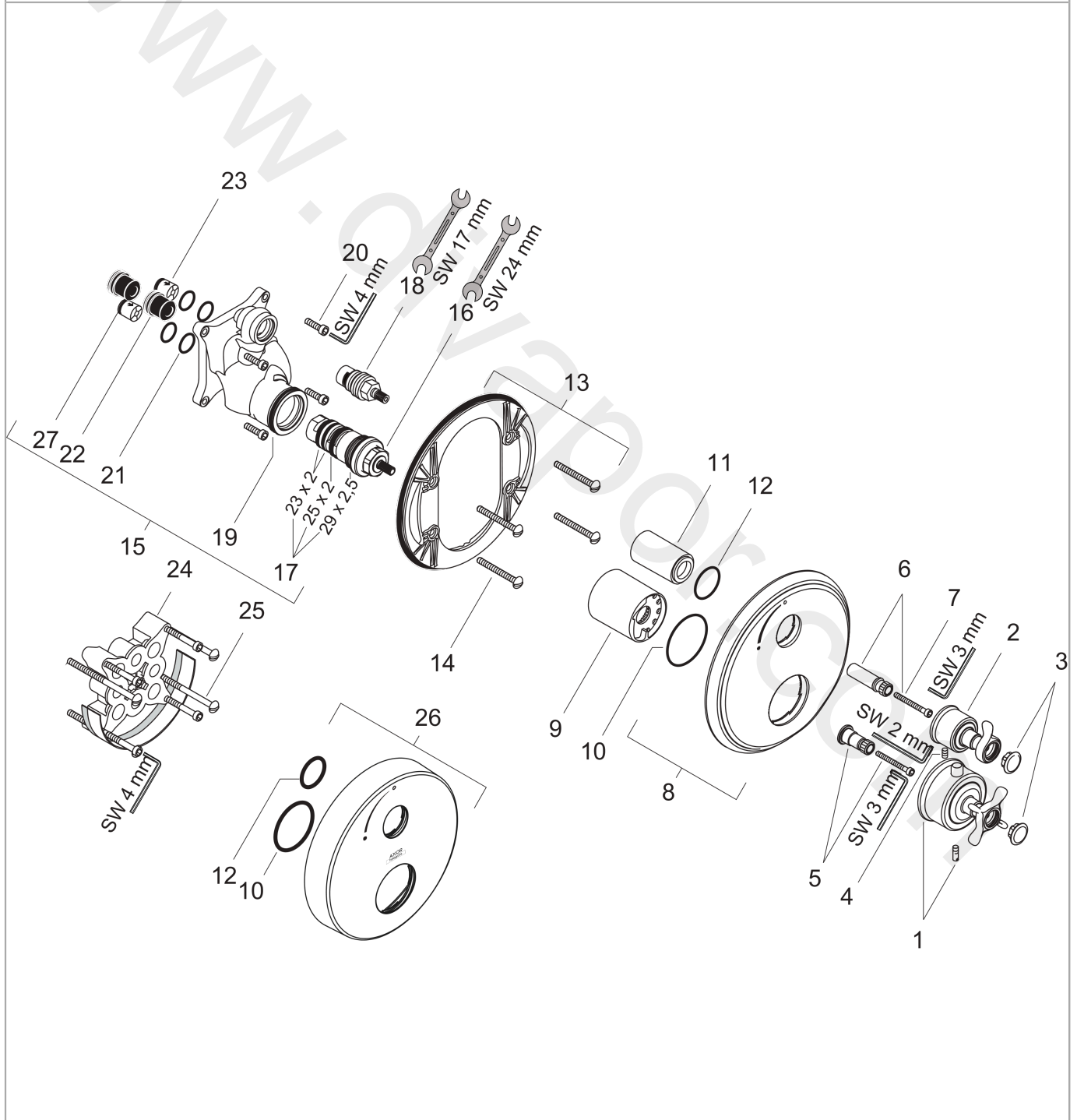


**AXOR Montreux**  
**Thermostat for concealed installation with cross handle and shut-off valve**  
 Finish: **Chrome** Article Number: **16800003**



## Exploded Drawing

Year of production: >04/20



## AXOR Montreux

Thermostat for concealed installation with cross handle and shut-off valve

Finish: **Chrome** Article Number: **16800003**



### Spare part list

Year of production: >04/20

Pos.		Article Number	Price	PU
1	handle for thermostat	16594000	£ 173,00	1
2	handle	96520000	£ 64,00	1
3	set of screw covers, cold / hot water / neutral	97987000	£ 64,00	1
4	hollow set screw M4x8	97669000	£ 3,30	1
5	adapter for handle	96435000	£ 20,50	1
6	adapter for handle	96451000	£ 16,10	1
7	O-ring 23x2	98398000	£ 3,30	1
8	escutcheon	98668000	£ 137,00	1
9	sleeve	96439000	£ 43,00	1
10	O-Ring 48x3	95508000	£ 3,30	1
11	sleeve	96446000	£ 35,00	1
12	O-ring 29x3	98371000	£ 6,10	1
13	sub plate	96447000	£ 51,00	1
14	set of fixing screws	96454000	£ 9,00	1
15	installation unit cpl.	92760000	£ 275,00	1
16	thermostat cartridge	94282000	£ 137,00	1
17	sealing set	95037000	£ 51,00	1
18	shut off unit right closing	94009001	-	1
19	O-ring 39x2	98158000	£ 3,30	1
20	set of screws	96525000	£ 9,00	1
21	O-ring 16x2	98133000	£ 3,30	1
22	noise reduction	94073000	£ 25,00	1
23	set of non return valves DW 15	94074000	£ 16,10	1
24	extension 25 mm	13595000	£ 75,00	1
25	set of fixing screws	97747000	£ 3,30	1
26	escutcheon height = 33 mm (when wall is not deep enough).	14963000	£ 71,00	1
27	non return valve (pressure-resistant up to 2 MPa)	92594000	£ 16,10	1
a	compensation set 1°	95521000	£ 173,00	1
b	Grease	90920000	£ 16,10	1