

AXOR Montreux
Single lever kitchen mixer 210 Semi-Pro
 Finish: **Chrome** Article Number: **16582000**



product features

- ComfortZone 210
- swivel range 360°
- shower spray, laminar spray
- lockable shower spray, spray returns through pressing spray diverter
- connection dimension: DN15
- maximum flow rate at 3 bar: 11 l/min
- ceramic cartridge
- connection type: G 3/8 connections
- temperature limitation adjustable
- integrated non-return valve
- suitable for continuous flow water heaters

Article Details

Price excl. VAT

816,67 £

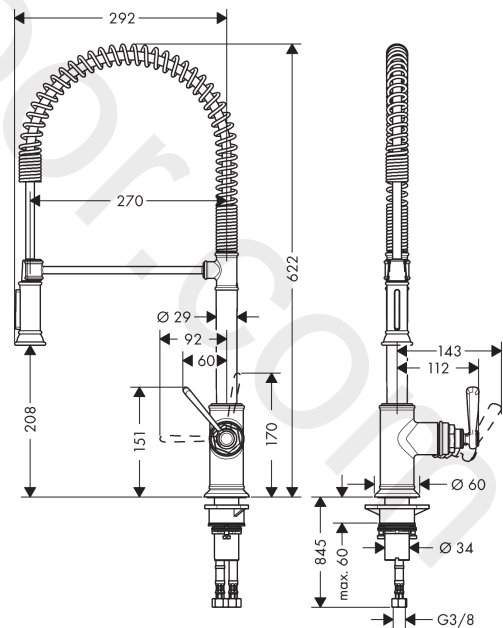
Technology



Product image



Scale drawing



AXOR Montreux
Single lever kitchen mixer 210 Semi-Pro
Finish: **Chrome** Article Number: **16582000**



Flowchart

- ⓪ Normal spray
- Ⓛ Shower spray

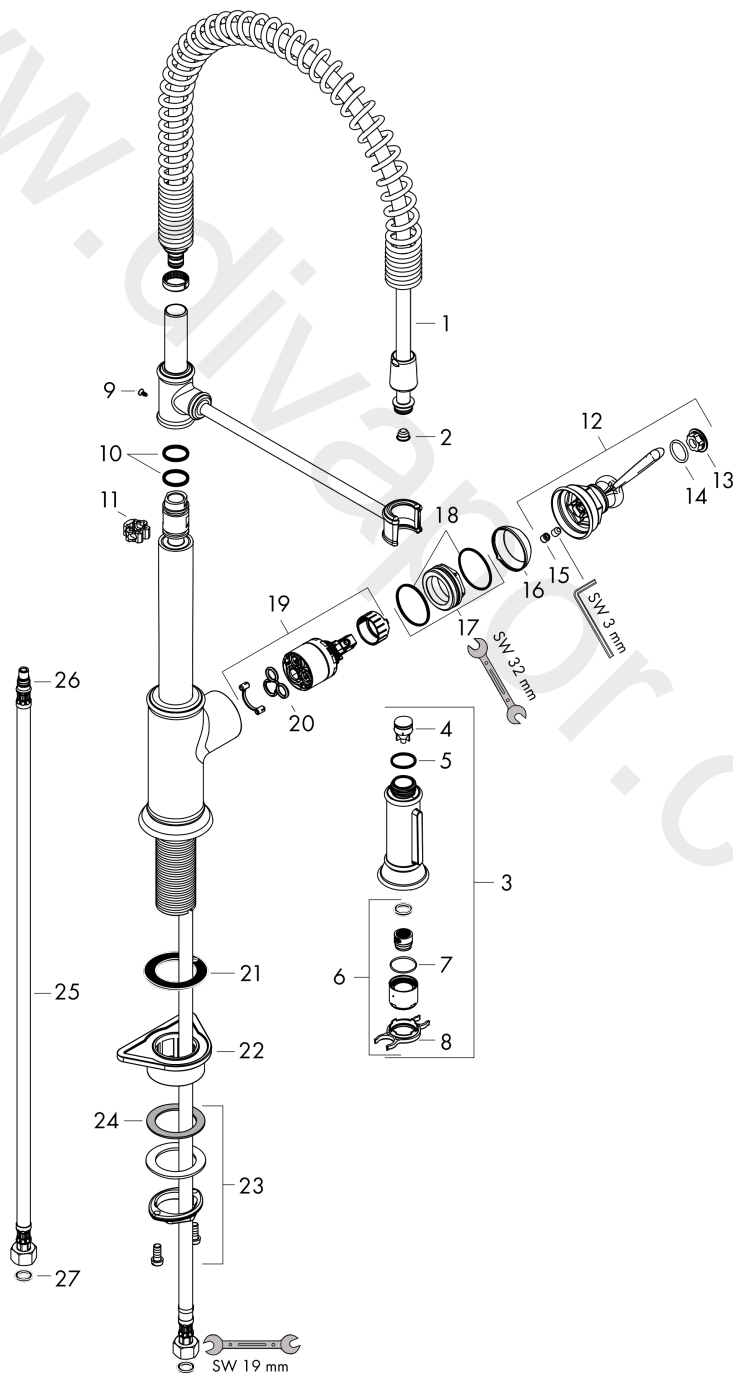


AXOR Montreux
Single lever kitchen mixer 210 Semi-Pro
 Finish: **Chrome** Article Number: **16582000**



Exploded Drawing

Year of production: >01/17



AXOR Montreux
Single lever kitchen mixer 210 Semi-Pro
 Finish: **Chrome** Article Number: **16582000**



Spare part list

Year of production: >01/17

Pos.		Article Number	Price	PU
1	shower hose	97475000	£ 79,00	1
2	filter	97735000	£ 3,30	1
3	handspray	92967000	£ 173,00	1
4	set of non return valves DW 15	97350000	£ 20,50	1
5	O-ring 18x1,5	98231000	£ 3,30	1
6	aerator laminar M22x1 (15 l/min)	95909000	£ 51,00	1
7	O-ring 20x1	98140000	£ 3,30	1
8	service tool	95910000	£ 9,00	1
9	screw	97662000	£ 9,00	1
10	O-ring 17x2,5	98387000	£ 3,30	1
11	axialring	97558000	£ 3,30	1
12	handle	92963000	£ 64,00	1
13	cover cap	92964000	£ 20,50	1
14	O-ring 16x2	98133000	£ 3,30	1
15	screw cover	96338000	£ 3,30	1
16	flange	92965000	£ 35,00	1
17	nut	92966000	£ 43,00	1
18	O-ring 33x1,5	98164000	£ 3,30	1
19	cartridge, assy	92730000	£ 35,00	1
20	seal	95008000	£ 9,00	1
21	sealing washer	97825000	£ 3,30	1
22	support	97523000	£ 6,10	1
23	fixing set (Ø 34)	95049000	£ 16,10	1
24	lever collar	97548000	£ 3,30	1
25	connection hose 900 mm M8x0,75 G3/8	96316000	£ 43,00	1
26	O-ring 7x1,5	98422000	£ 3,30	1
27	sealing set	95581000	£ 6,10	1