

AXOR Montreux
2-handle shower mixer for exposed installation with cross handles
 Finish: **Brushed Nickel** Article Number: **16560820**



product features

- 1 function
- centre distance: 170 ± 32 mm
- maximum flow rate at 3 bar: 11 l/min
- ceramic valves hot/ cold 180°
- non-return valve
- suitable for continuous flow water heaters
- hose connection DN15
- connection dimension: DN15
- min. operating pressure: 1 bar
- max. operating pressure: 10 bar
- connection type: s-shaped connections

Article Details

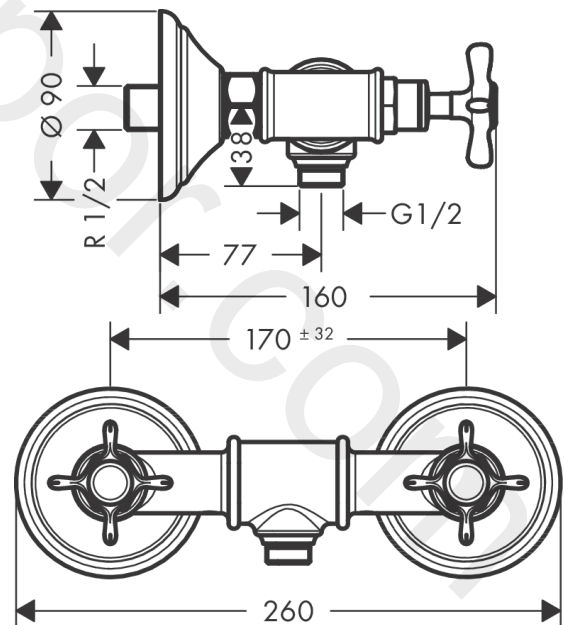
Price excl. VAT

1.575,00 £

Product image



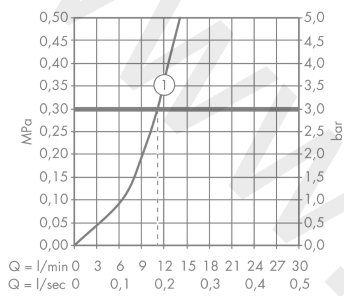
Scale drawing



AXOR Montreux
2-handle shower mixer for exposed installation with cross handles
Finish: **Brushed Nickel** Article Number: **16560820**



Flowchart

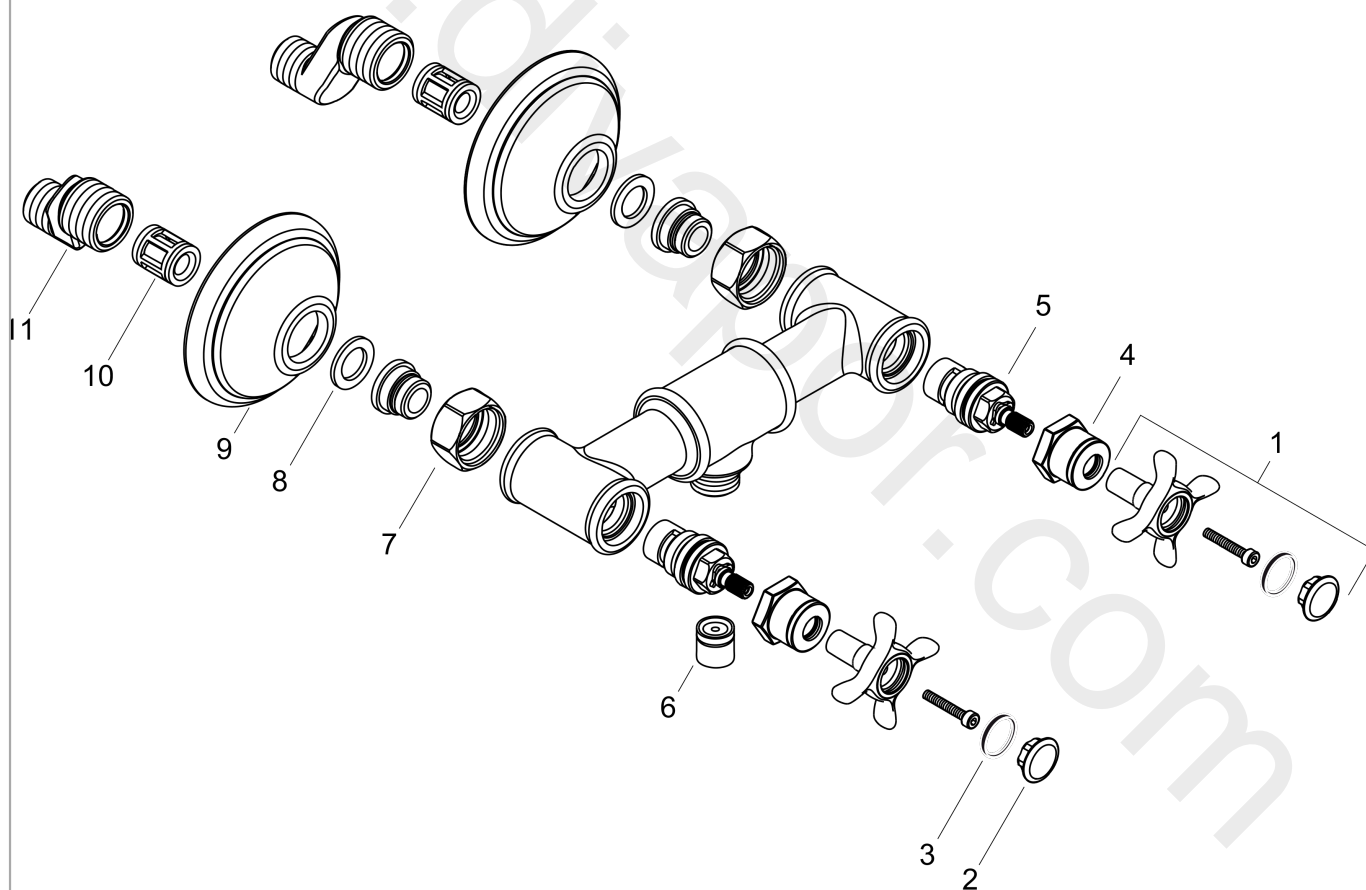


AXOR Montreux
2-handle shower mixer for exposed installation with cross handles
Finish: **Brushed Nickel** Article Number: **16560820**



Exploded Drawing

Year of production: >04/06



AXOR Montreux
2-handle shower mixer for exposed installation with cross handles
 Finish: **Brushed Nickel** Article Number: **16560820**



Spare part list

Year of production: >04/06

Pos.		Article Number	Price	PU
1	handle	16597820	£ 173,00	1
2	set of screw covers, cold / hot water / neutral	97987000	£ 64,00	1
3	O-ring 16x2	98133000	£ 3,30	1
4	sleeve	97993820	£ 79,00	1
5	shut off unit right closing	94009000	£ 43,00	1
6	set of non return valves DW 15	94074000	£ 16,10	1
7	set of nuts	96157000	£ 35,00	1
8	filter packing	96922000	£ 9,00	1
9	escutcheon	98595820	£ 64,00	1
10	noise reduction	96429000	£ 6,10	1
11	set of S-unions (±32 mm)	98592000	£ 43,00	1