

AXOR Montreux
2-handle bath mixer for exposed installation with lever handles
 Finish: **Chrome** Article Number: **16551000**



product features

- consists of: 2-handle bath mixer, hand shower, shower hose, shower holder
- 2 functions
- projection: 224 mm
- centre distance: 170 ± 32 mm
- spray type mixer: normal spray
- spray type hand shower: RainAir
- maximum flow rate at 3 bar: 20 l/min
- flow rate for bath spout at 3 bar: 20 l/min
- flow rate of hand shower at 3 bar: 14 l/min
- ceramic valves hot/cold 90°
- non-return valve
- suitable for continuous flow water heaters
- connection dimension: DN15
- connection type: s-shaped connections
- wall-mounted
- min. operating pressure: 1 bar
- max. operating pressure: 10 bar

Article Details

Price excl. VAT

1.258,33 £

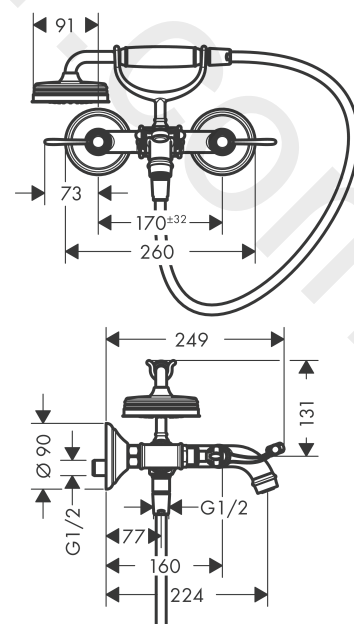
Technology



Product image



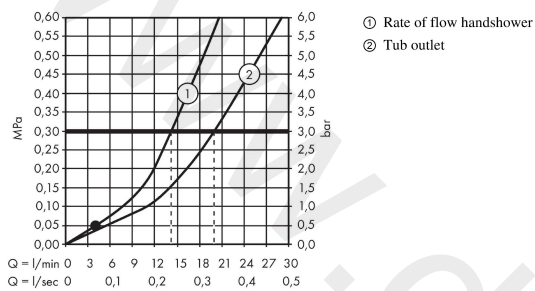
Scale drawing



AXOR Montreux
2-handle bath mixer for exposed installation with lever handles
 Finish: **Chrome** Article Number: **16551000**



Flowchart

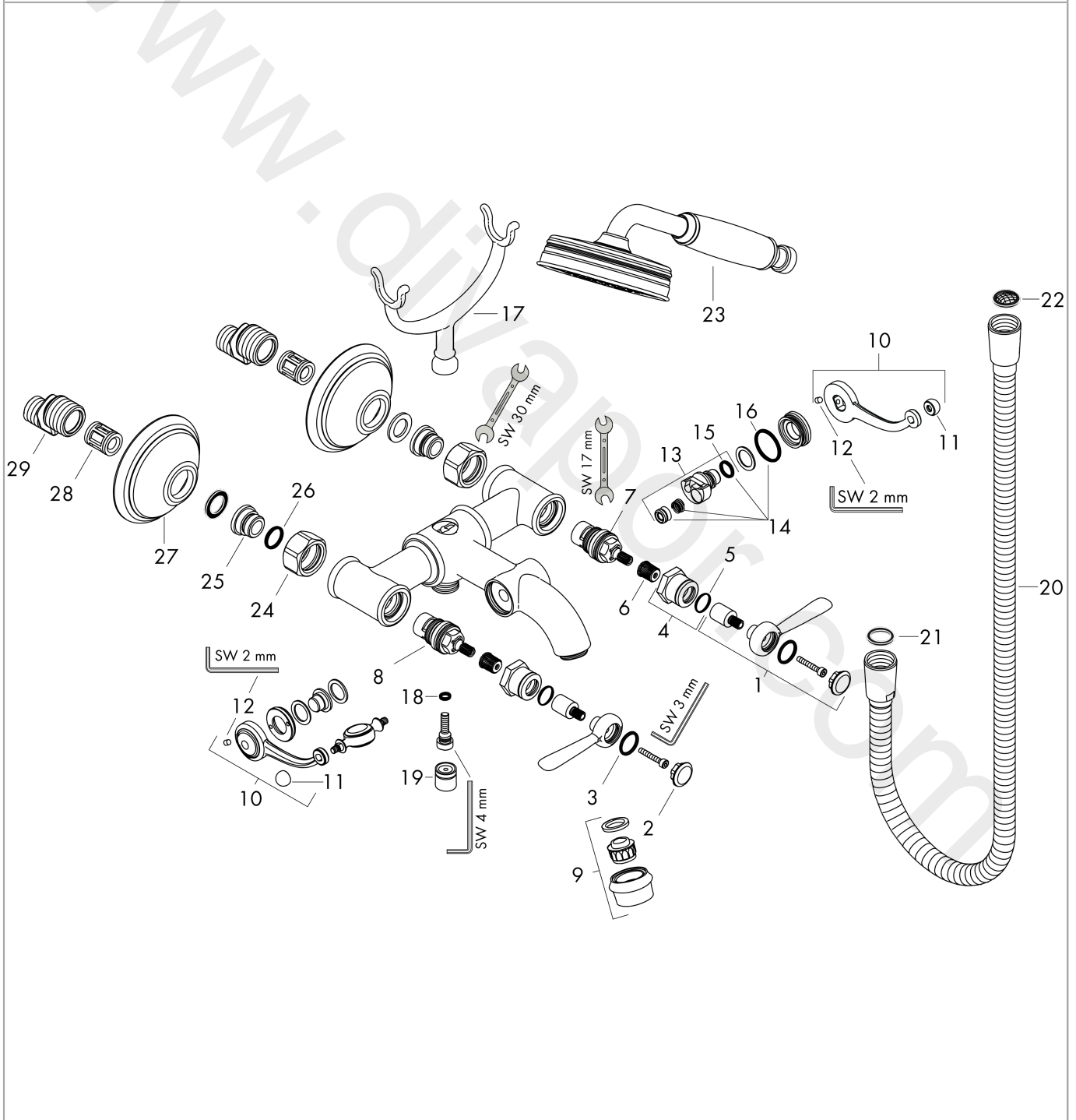


AXOR Montreux
2-handle bath mixer for exposed installation with lever handles
 Finish: **Chrome** Article Number: **16551000**



Exploded Drawing

Year of production: >10/16



AXOR Montreux
2-handle bath mixer for exposed installation with lever handles
 Finish: **Chrome** Article Number: **16551000**



Spare part list

Year of production: >10/16

Pos.		Article Number	Price	PU
1	handle	92705000	£ 96,00	1
2	set of screw covers, cold / hot water / neutral	97987000	£ 64,00	1
3	O-ring 16x2	98133000	£ 3,30	1
4	sleeve	92712000	£ 79,00	1
5	O-ring 14x1,78	92984000	£ 3,30	1
6	adapter for handle	92375000	£ 51,00	1
7	shut off unit right closing	96350001	-	1
8	shut off unit left closing	96351001	-	1
9	aerator M22x1 (25 l/min)	98575000	£ 79,00	1
10	sliding gear lever	98594000	£ 110,00	1
11	set of nuts	92852000	£ 51,00	1
12	hollow set screw M4x6	97767000	£ 3,30	1
13	selector	98591000	£ 96,00	1
14	service set	96301000	£ 51,00	1
15	O-ring 10x2	98170000	£ 3,30	1
16	O-ring 23x2	98398000	£ 3,30	1
17	shower base	98590000	£ 51,00	1
18	O-ring 5x2	98215000	£ 3,30	1
19	set of non return valves DW 15	94074000	£ 16,10	1
20	shower hose 1,25 m	28112000	£ 98,00	1
21	seal	98058000	£ 3,30	1
22	filter packing	94246000	£ 3,30	1
23	handshower	16320000	£ 255,00	1
24	set of nuts	96157000	£ 35,00	1
25	connecting thread	97220000	£ 16,10	1
26	O-ring 15x2	98163000	£ 3,30	1
27	escutcheon	98595000	£ 43,00	1
28	set of S-unions (±32 mm)	98592000	£ 43,00	1
29	noise reduction	96429000	£ 6,10	1