

AXOR Montreux
2-handle bath mixer floor-standing with cross handles
 Finish: **Brushed Black Chrome** Article Number: **16547340**



product features

- consists of: 2-handle bath mixer floor standing, hand shower, shower hose, shower holder
- 2 functions
- projection: 234 mm
- spray type mixer: normal spray
- spray type hand shower: RainAir
- maximum flow rate at 3 bar: 16,5 l/min
- flow rate for bath spout at 3 bar: 16,5 l/min
- flow rate of hand shower at 3 bar: 14 l/min
- ceramic valves hot/cold 90°
- non-return valve
- suitable for continuous flow water heaters
- connection dimension: DN15
- connection type: basic set
- deck mounted
- min. operating pressure: 1 bar
- max. operating pressure: 10 bar
- Sealing foil 96441000 is needed twice
- WRAS 2207052
- WRAS 2207052 - Approval letter

Article Details

Price excl. VAT 4.150,00 £

Technology



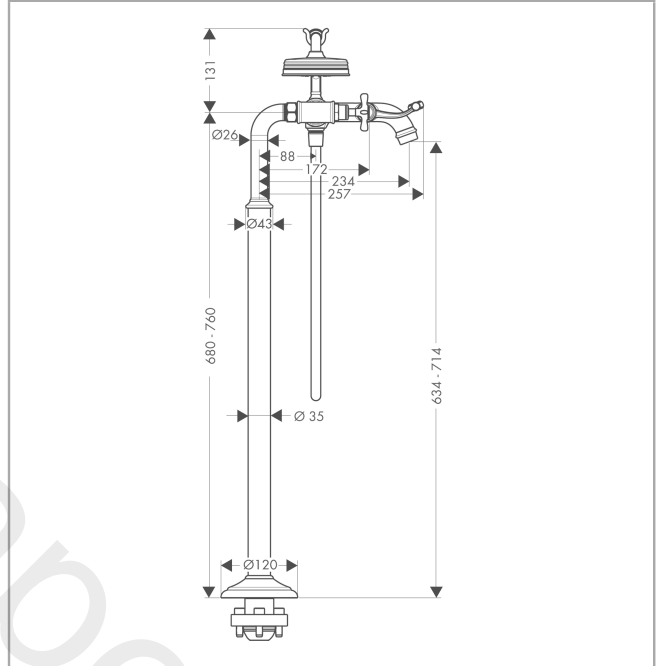
AXOR Montreux
2-handle bath mixer floor-standing with cross handles
 Finish: **Brushed Black Chrome** Article Number: **16547340**



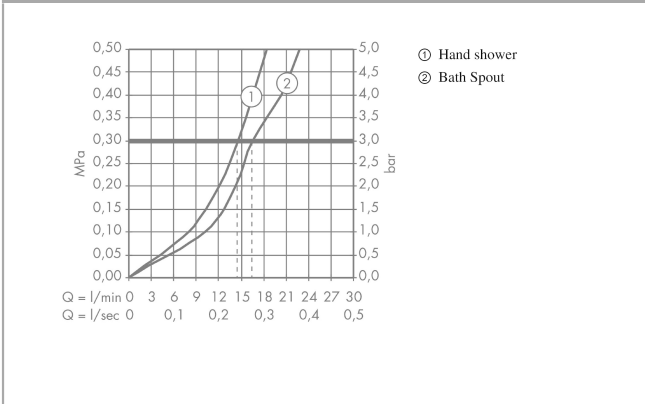
Product image



Scale drawing



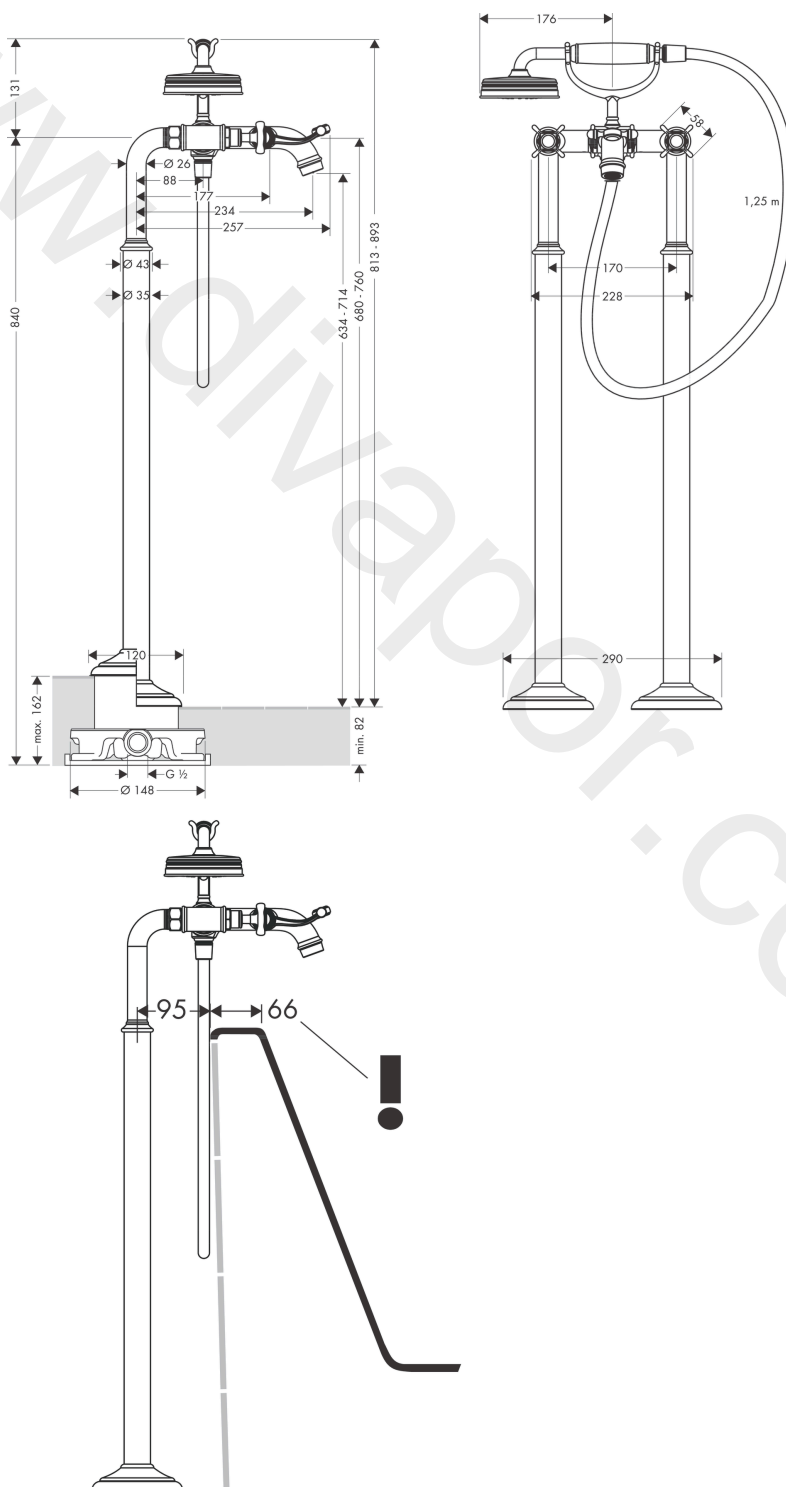
Flowchart



AXOR Montreux
2-handle bath mixer floor-standing with cross handles
 Finish: **Brushed Black Chrome** Article Number: **16547340**



Installation examples

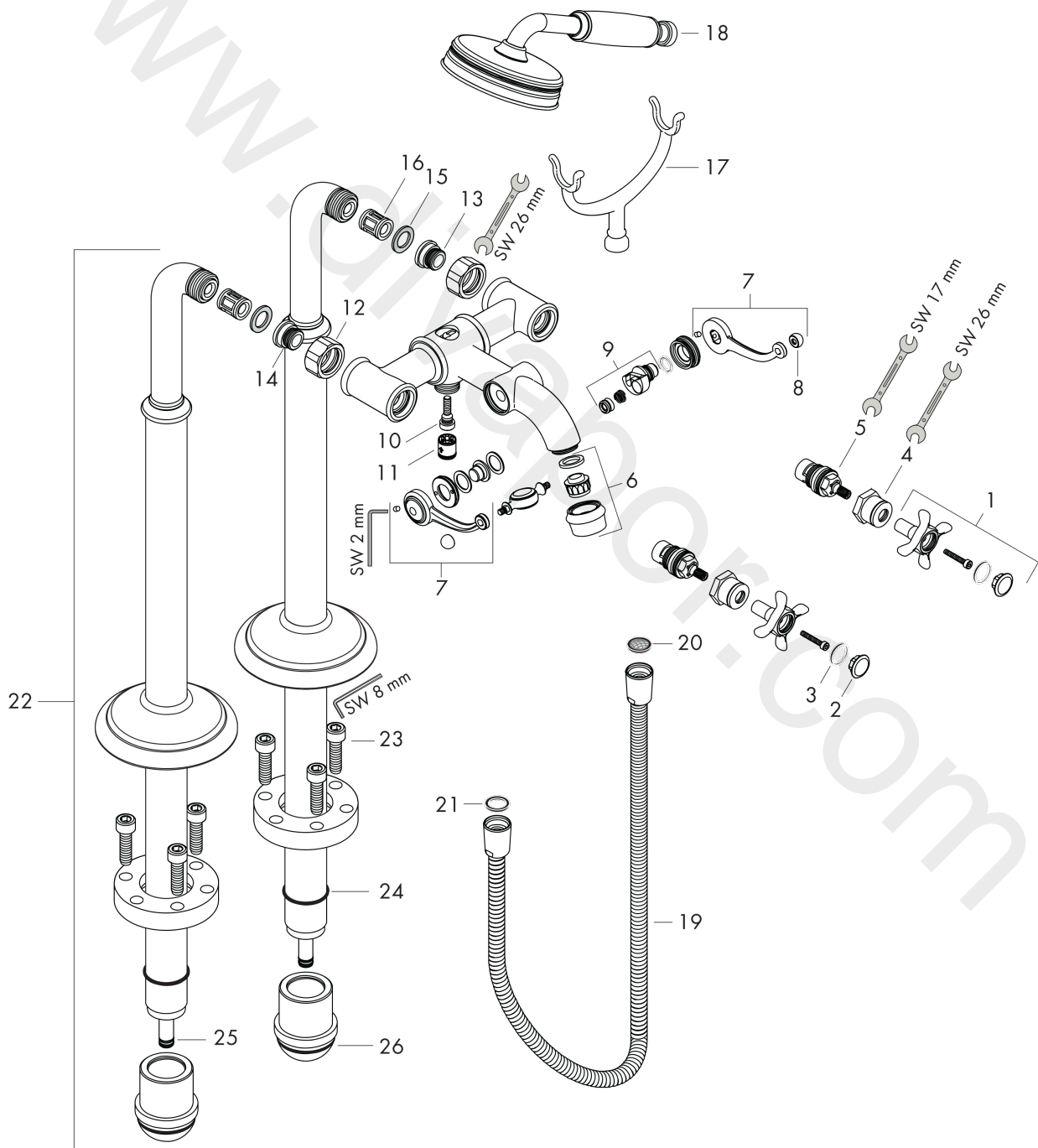


AXOR Montreux
2-handle bath mixer floor-standing with cross handles
Finish: **Brushed Black Chrome** Article Number: **16547340**



Exploded Drawing

Year of production: >11/16



AXOR Montreux
2-handle bath mixer floor-standing with cross handles
 Finish: **Brushed Black Chrome** Article Number: **16547340**



Spare part list

Year of production: >11/16

| Pos. | | Article Number | Price | PU |
|------|---|----------------|------------|----|
| 1 | handle | 16597330 | £ 205,50 | 1 |
| 2 | set of screw covers, cold / hot water / neutral | 97987000 | £ 64,00 | 1 |
| 3 | O-ring 16x2 | 98133000 | £ 3,30 | 1 |
| 4 | sleeve | 97993330 | £ 76,50 | 1 |
| 5 | shut off unit right closing | 94009000 | £ 43,00 | 1 |
| 6 | aerator M22x1 (25 l/min) | 98575330 | £ 118,50 | 1 |
| 7 | sliding gear lever | 98594330 | £ 165,00 | 1 |
| 8 | set of nuts | 92852340 | £ 76,50 | 1 |
| 9 | selector | 98591330 | £ 144,00 | 1 |
| 10 | O-ring 5x2 | 98215000 | £ 3,30 | 1 |
| 11 | set of non return valves DW 15 | 94074000 | £ 16,10 | 1 |
| 12 | set of nuts | 96157340 | £ 51,00 | 1 |
| 13 | connecting thread | 97220000 | £ 16,10 | 1 |
| 14 | O-ring 15x2 | 98163000 | £ 3,30 | 1 |
| 15 | filter packing | 96922000 | £ 9,00 | 1 |
| 16 | noise reduction | 96429000 | £ 6,10 | 1 |
| 17 | shower base | 98590330 | £ 76,50 | 1 |
| 18 | handshower | 16320330 | £ 382,56 | 1 |
| 19 | shower hose 1,25 m | 28112330 | £ 147,00 | 1 |
| 20 | filter packing | 94246000 | £ 3,30 | 1 |
| 21 | seal | 98058000 | £ 3,30 | 1 |
| 22 | pillar union | 98856330 | £ 1.245,00 | 1 |
| 23 | hexagon socket screw M10x35 | 97670000 | £ 16,10 | 1 |
| 24 | O-ring 35x2 | 92604000 | £ 6,10 | 1 |
| 25 | O-ring 9x1,5 | 98117000 | £ 3,30 | 1 |
| 26 | O-ring 44x2,5 | 98162000 | £ 3,30 | 1 |
| a | concealed item | 16549180 | £ 1.200,00 | 1 |