

AXOR Montreux
2-handle bath mixer floor-standing with cross handles
 Finish: **Brushed Bronze** Article Number: **16547140**



product features

- consists of: 2-handle bath mixer floor standing, hand shower, shower hose, shower holder
- 2 functions
- projection: 234 mm
- spray type mixer: normal spray
- spray type hand shower: RainAir
- maximum flow rate at 3 bar: 16,5 l/min
- flow rate for bath spout at 3 bar: 16,5 l/min
- flow rate of hand shower at 3 bar: 14 l/min
- ceramic valves hot/cold 90°
- non-return valve
- suitable for continuous flow water heaters
- connection dimension: DN15
- connection type: basic set
- deck mounted
- min. operating pressure: 1 bar
- max. operating pressure: 10 bar
- Sealing foil 96441000 is needed twice
- WRAS 2207052
- WRAS 2207052 - Approval letter

Article Details

Price excl. VAT 4.150,00 £

Technology



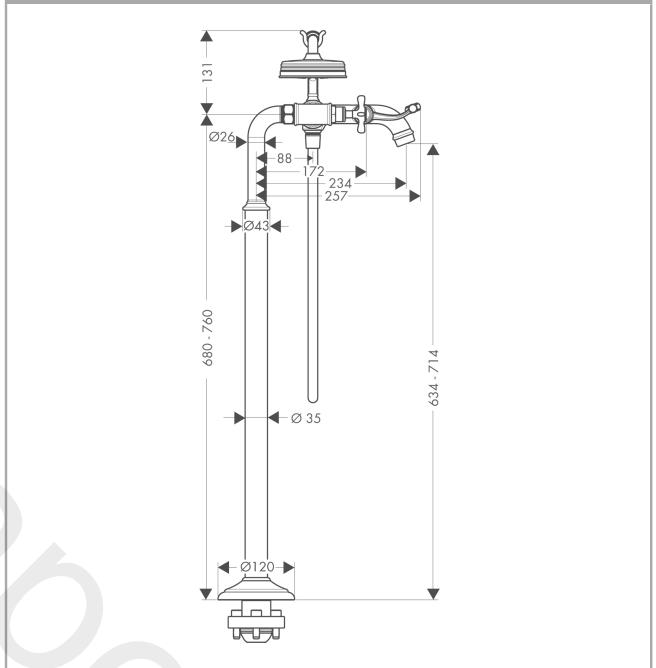
AXOR Montreux
2-handle bath mixer floor-standing with cross handles
 Finish: **Brushed Bronze** Article Number: **16547140**



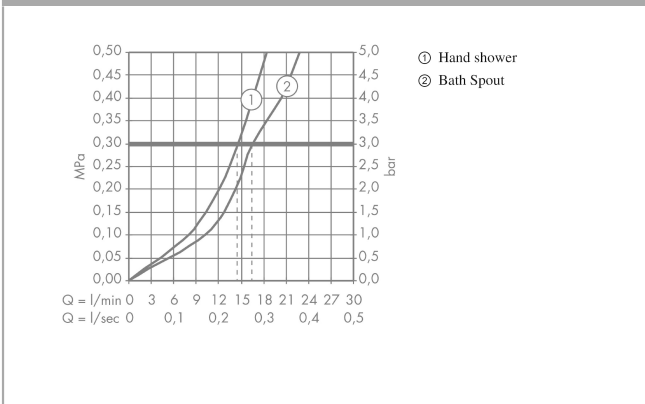
Product image



Scale drawing



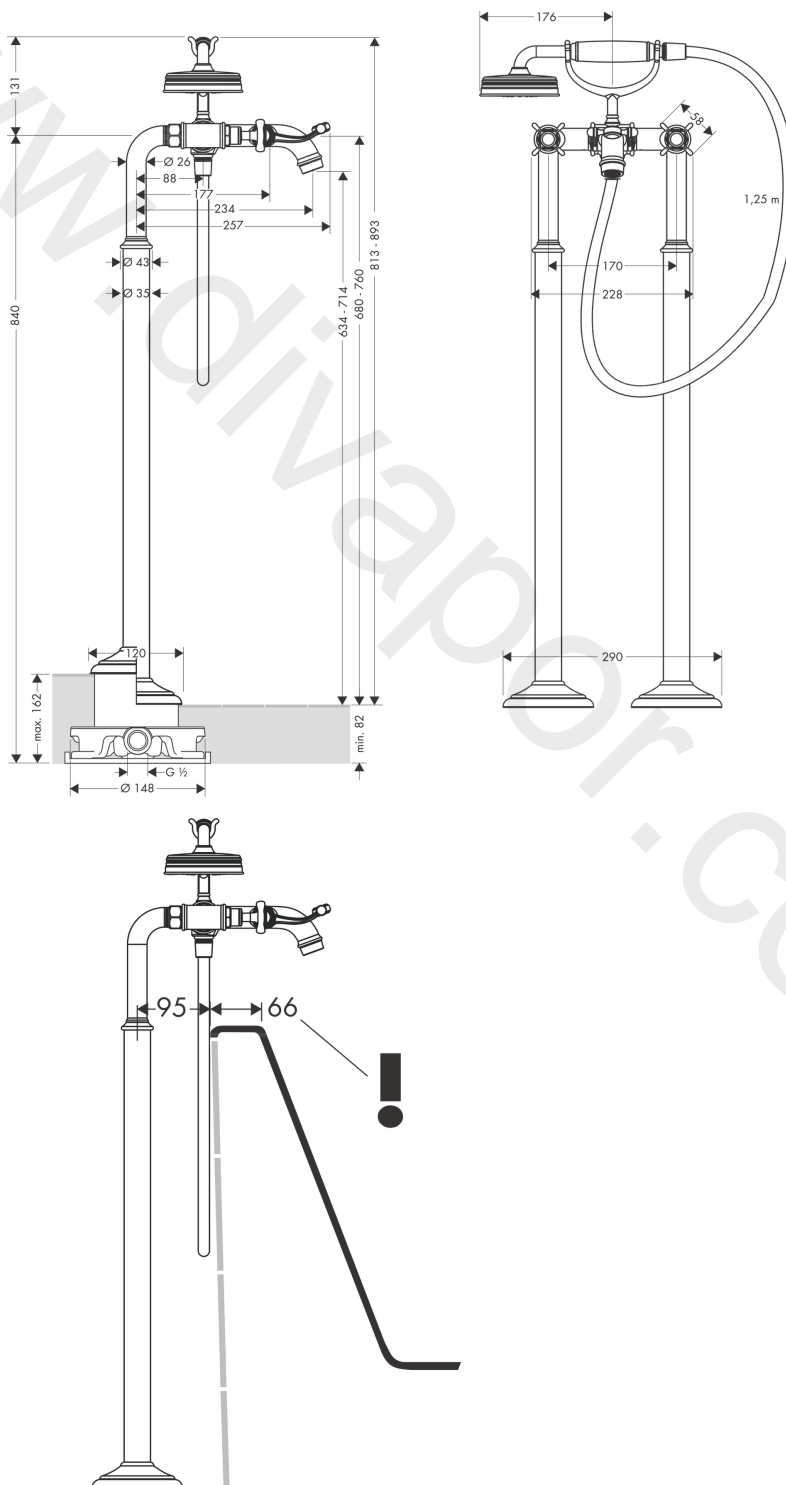
Flowchart



AXOR Montreux
2-handle bath mixer floor-standing with cross handles
 Finish: **Brushed Bronze** Article Number: **16547140**



Installation examples

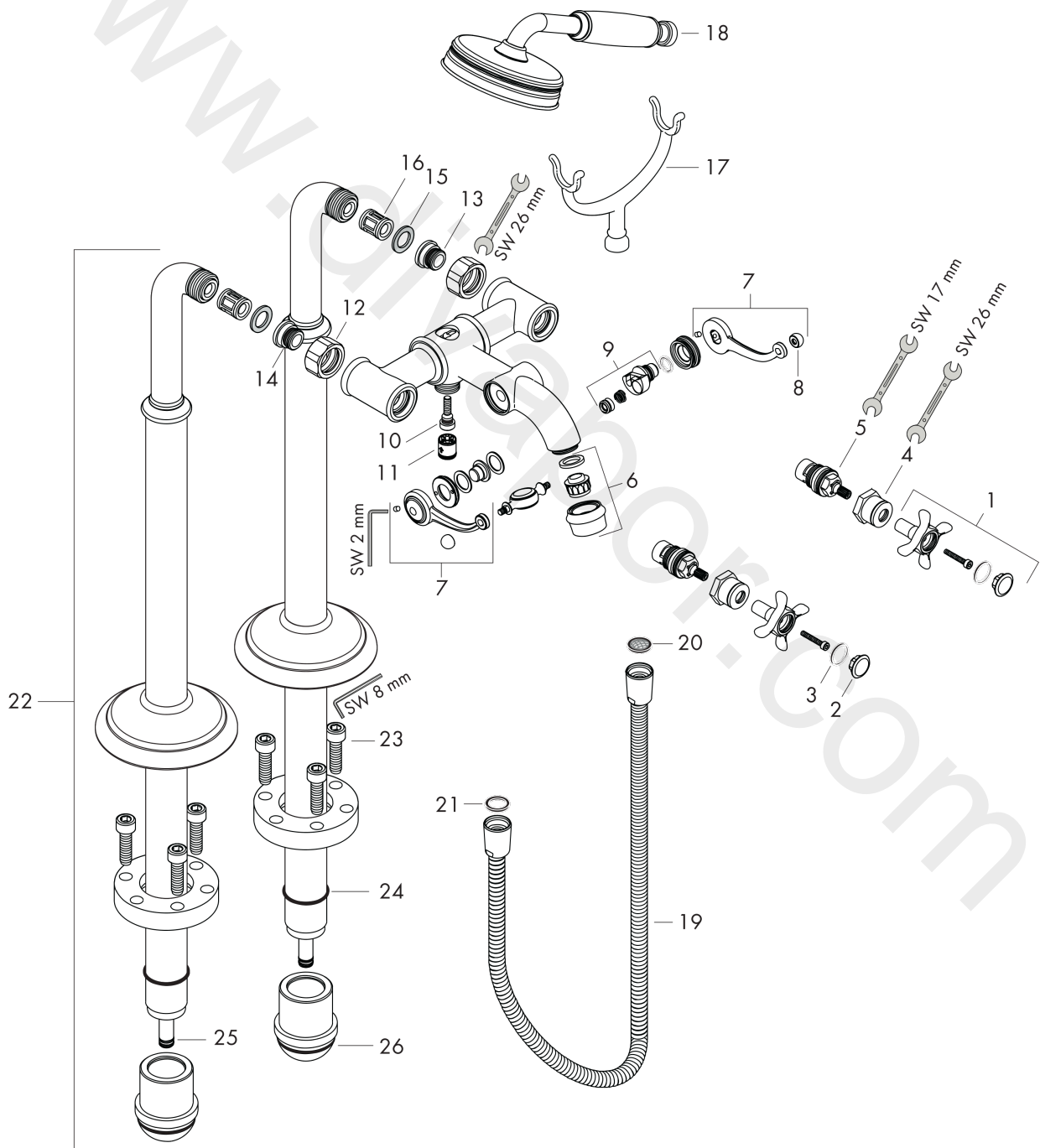


AXOR Montreux
2-handle bath mixer floor-standing with cross handles
 Finish: **Brushed Bronze** Article Number: **16547140**



Exploded Drawing

Year of production: >11/16



AXOR Montreux
2-handle bath mixer floor-standing with cross handles
 Finish: **Brushed Bronze** Article Number: **16547140**



Spare part list

Year of production: >11/16

Pos.		Article Number	Price	PU
1	handle	16597130	£ 205,50	1
2	set of screw covers, cold / hot water / neutral	97987000	£ 64,00	1
3	O-ring 16x2	98133000	£ 3,30	1
4	sleeve	97993130	£ 76,50	1
5	shut off unit right closing	94009000	£ 43,00	1
6	aerator M22x1 (25 l/min)	98575130	£ 118,50	1
7	sliding gear lever	98594130	£ 163,00	1
8	set of nuts	92852140	£ 76,50	1
9	selector	98591130	£ 142,00	1
10	O-ring 5x2	98215000	£ 3,30	1
11	set of non return valves DW 15	94074000	£ 16,10	1
12	set of nuts	96157140	£ 52,50	1
13	connecting thread	97220000	£ 16,10	1
14	O-ring 15x2	98163000	£ 3,30	1
15	filter packing	96922000	£ 9,00	1
16	noise reduction	96429000	£ 6,10	1
17	shower base	98590130	£ 76,50	1
18	handshower	16320130	£ 382,56	1
19	shower hose 1,25 m	28112130	£ 147,00	1
20	filter packing	94246000	£ 3,30	1
21	seal	98058000	£ 3,30	1
22	pillar union	98856130	£ 1.245,00	1
23	hexagon socket screw M10x35	97670000	£ 16,10	1
24	O-ring 35x2	92604000	£ 6,10	1
25	O-ring 9x1,5	98117000	£ 3,30	1
26	O-ring 44x2,5	98162000	£ 3,30	1
a	concealed item	16549180	£ 1.200,00	1