

AXOR Montreux
4-hole rim mounted bath mixer for exposed installation with cross handles
 Finish: **Chrome** Article Number: **16546007**



product features

- consists of: 4-hole rim mounted bath mixer, hand shower, shower hose, shower holder
- 2 functions
- projection: 196 mm
- spray type mixer: normal spray
- spray type hand shower: RainAir
- maximum pull-out length of hand shower: 1.10 m
- maximum flow rate at 3 bar: 20 l/min
- flow rate of hand shower at 3 bar: 11 l/min
- ceramic valves hot/ cold 180°
- non-return valve
- connection dimension: DN15
- connection type: basic set
- suitable for installation on bath rim
- min. operating pressure: 1 bar
- max. operating pressure: 10 bar

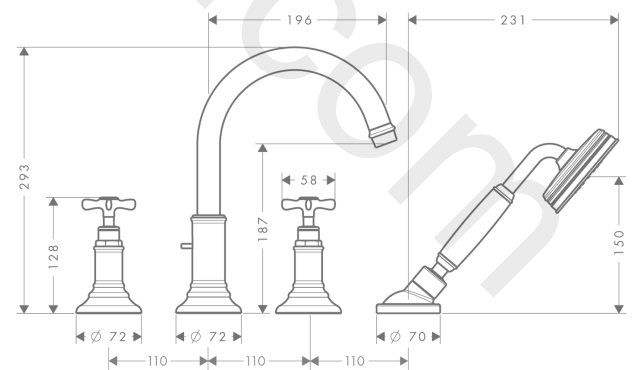
Technology



Product image



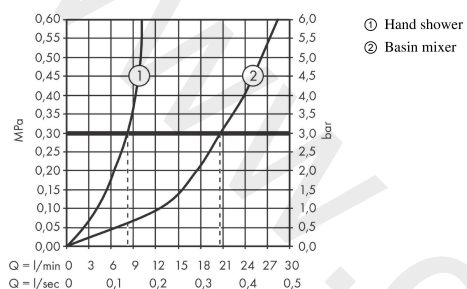
Scale drawing



AXOR Montreux
4-hole rim mounted bath mixer for exposed installation with cross handles
 Finish: **Chrome** Article Number: **16546007**



Flowchart



AXOR Montreux
4-hole rim mounted bath mixer for exposed installation with cross handles
 Finish: **Chrome** Article Number: **16546007**



Spare part list

Year of production: >10/18

Pos.		Article Number	Price	PU
1	spout cpl.	98615000	£ 585,00	1
2	aerator M22x1 (25 l/min)	98575000	£ 79,00	1
3	diverter knob	98607000	£ 16,10	1
4	hollow set screw M6x6	97660000	£ 3,30	1
5	handle	16291000	£ 96,00	1
6	set of screw covers, cold / hot water / neutral	97987000	£ 64,00	1
7	O-ring 16x2	98133000	£ 3,30	1
8	escutcheon	98605000	£ 173,00	1
9	guide tube	92214000	£ 51,00	1
10	O-ring 21x1,5	98219000	£ 3,30	1
11	selector assy	96775000	£ 79,00	1
12	O-Ring 14x2,5	98189000	£ 3,30	1
13	O-Ring 23x2,5	98183000	£ 3,30	1
14	O-Ring 22x2	98185000	£ 3,30	1
15	O-ring 9x2,5	98217000	£ 3,30	1
16	-	16320007	-	1
17	back flow preventor cartridge	93339000	£ 20,50	1
18	filter packing	94246000	£ 3,30	1
19	shower holder, assy	96433000	£ 110,00	1
20	escutcheon for shower holder	96237000	£ 43,00	1
21	escutcheon chuck	97105000	£ 9,00	1
22	nut	97584000	£ 16,10	1
23	insert for shower holder	96942000	£ 13,30	1
24	O-ring 38x2	98396000	£ 3,30	1
25	O-Ring 28x2	98194000	£ 3,30	1
26	shower hose 2,00 m	94148000	£ 79,00	1
27	O-ring 11x2	98127000	£ 3,30	1
28	set of non return valves DW 15	94074000	£ 16,10	1