

**AXOR Montreux**  
**2-handle bath mixer for exposed installation with cross handles**  
 Finish: **Chrome** Article Number: **16540000**



## product features

- consists of: 2-handle bath mixer, hand shower, shower hose, shower holder
- 2 functions
- projection: 224 mm
- centre distance: 170 ± 32 mm
- spray type mixer: normal spray
- spray type hand shower: RainAir
- maximum flow rate at 3 bar: 20 l/min
- flow rate for bath spout at 3 bar: 20 l/min
- flow rate of hand shower at 3 bar: 14 l/min
- ceramic valves hot/cold 90°
- non-return valve
- suitable for continuous flow water heaters
- connection dimension: DN15
- connection type: s-shaped connections
- wall-mounted
- min. operating pressure: 1 bar
- max. operating pressure: 10 bar
- WRAS 2207052
- WRAS 2207052 - Approval letter

## Article Details

Price excl. VAT

1.225,00 £

## Technology



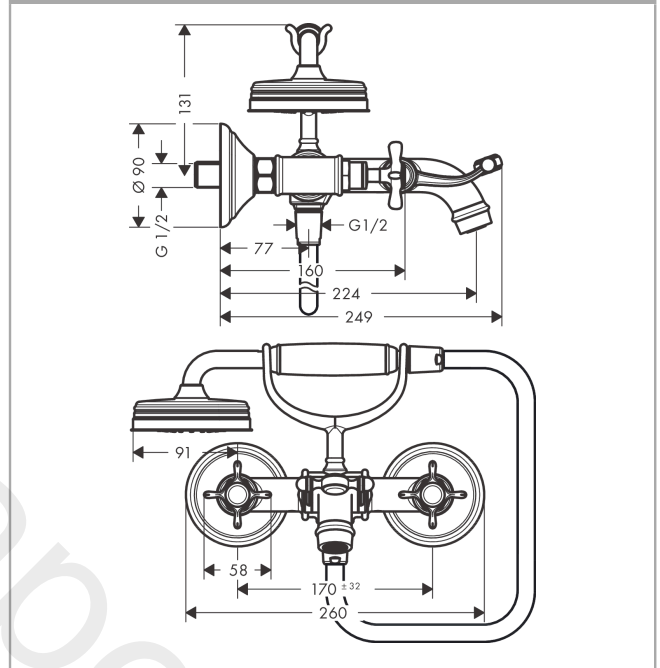
**AXOR Montreux**  
**2-handle bath mixer for exposed installation with cross handles**  
 Finish: **Chrome** Article Number: **16540000**



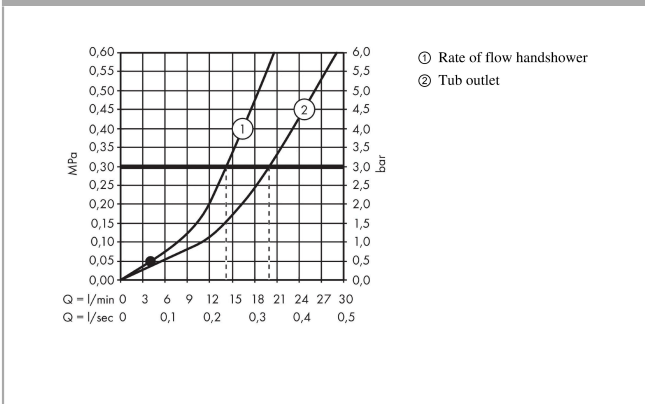
Product image



Scale drawing



Flowchart

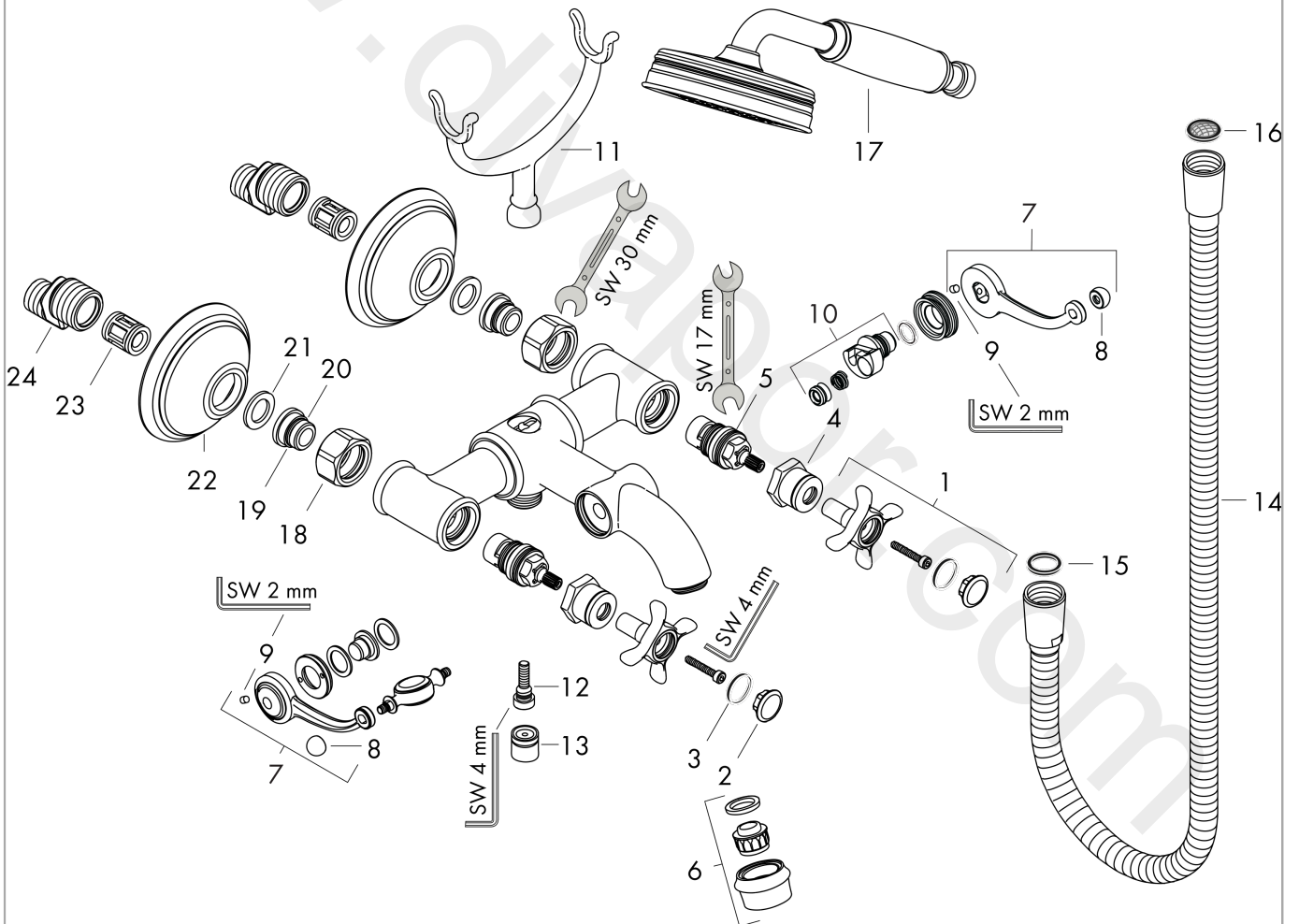


**AXOR Montreux**  
**2-handle bath mixer for exposed installation with cross handles**  
 Finish: **Chrome** Article Number: **16540000**



## Exploded Drawing

Year of production: >04/06



**AXOR Montreux**  
**2-handle bath mixer for exposed installation with cross handles**  
 Finish: **Chrome** Article Number: **16540000**



## Spare part list

Year of production: >04/06

Pos.		Article Number	Price	PU
1	handle	16597000	£ 137,00	1
2	set of screw covers, cold / hot water / neutral	97987000	£ 64,00	1
3	O-ring 16x2	98133000	£ 3,30	1
4	sleeve	97993000	£ 51,00	1
5	shut off unit right closing	94009000	£ 43,00	1
6	aerator M22x1 (25 l/min)	98575000	£ 79,00	1
7	sliding gear lever	98594000	£ 110,00	1
8	set of nuts	92852000	£ 51,00	1
9	hollow set screw M4x6	97767000	£ 3,30	1
10	selector	98591000	£ 96,00	1
11	shower base	98590000	£ 51,00	1
12	O-ring 5x2	98215000	£ 3,30	1
13	set of non return valves DW 15	94074000	£ 16,10	1
14	shower hose 1,25 m	28112000	£ 98,00	1
15	seal	98058000	£ 3,30	1
16	filter packing	94246000	£ 3,30	1
17	handshower	16320000	£ 255,00	1
18	set of nuts	96157000	£ 35,00	1
19	connecting thread	97220000	£ 16,10	1
20	O-ring 15x2	98163000	£ 3,30	1
21	filter packing	96922000	£ 9,00	1
22	escutcheon	98595000	£ 43,00	1
23	noise reduction	96429000	£ 6,10	1
24	set of S-unions (±32 mm)	98592000	£ 43,00	1