

AXOR Montreux
3-hole basin mixer 30 with lever handles and pop-up waste set
 Finish: **Brushed Nickel** Article Number: **16535820**



product features

- consists of: 3-hole basin mixer, waste set
- ComfortZone 30
- projection: 143 mm
- spout height: 30 mm
- handle variant: lever handle
- spray type: normal spray
- maximum flow rate at 3 bar: 5 l/min
- ceramic valves hot/cold 90°
- suitable for continuous flow water heaters
- pop-up waste set G 1¼
- connection type: G ¾ connections
- connection dimension: DN15
- EU taxonomy: max. 6 l/min - Substantial Contribution (SC)

Article Details

Price excl. VAT

1.087,50 £

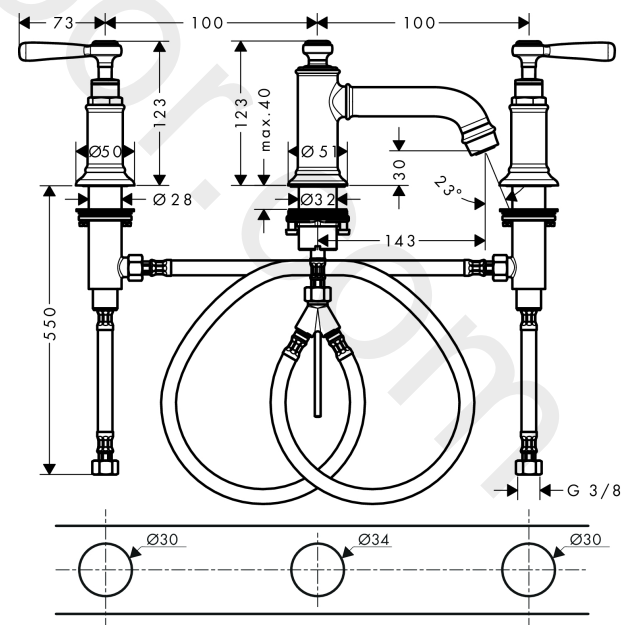
Technology



Product image



Scale drawing



AXOR Montreux
3-hole basin mixer 30 with lever handles and pop-up waste set
Finish: **Brushed Nickel** Article Number: **16535820**



Flowchart

- ① With flow limiter
- ② Without flow limiter

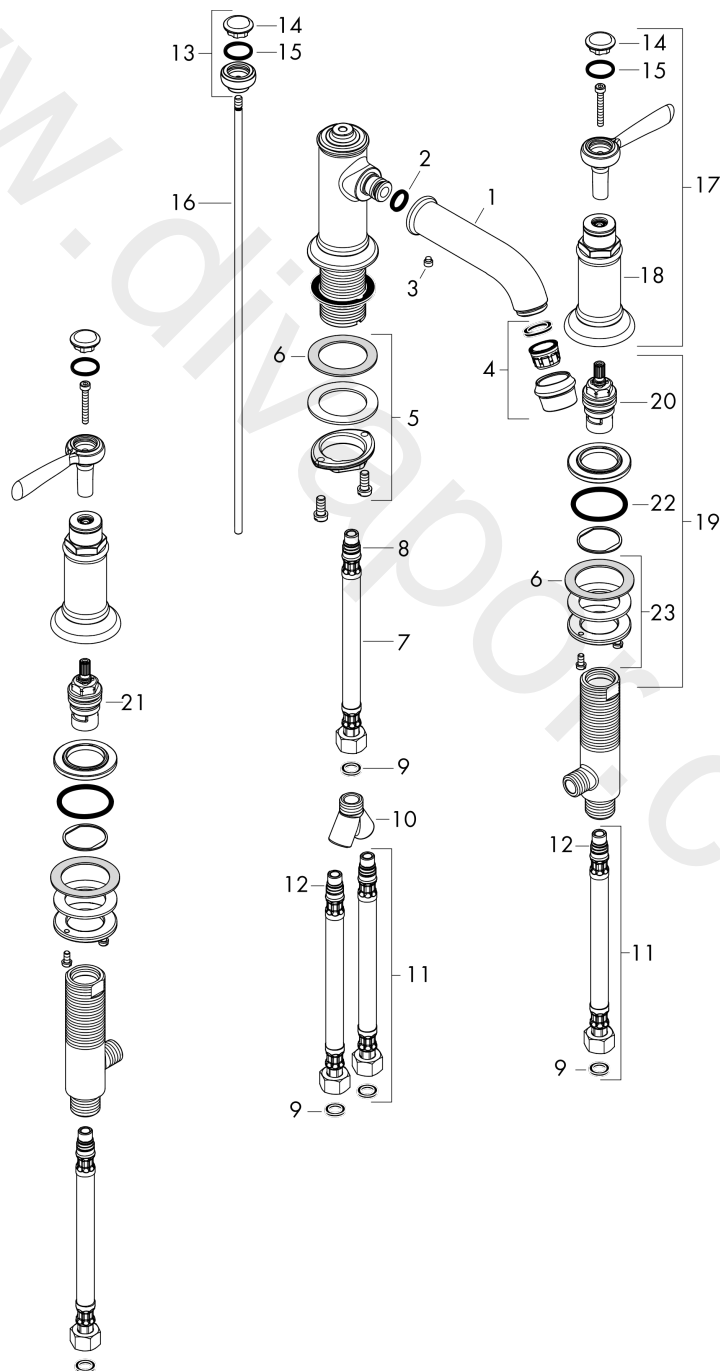


AXOR Montreux
3-hole basin mixer 30 with lever handles and pop-up waste set
 Finish: **Brushed Nickel** Article Number: **16535820**



Exploded Drawing

Year of production: >01/17



AXOR Montreux
3-hole basin mixer 30 with lever handles and pop-up waste set
 Finish: **Brushed Nickel** Article Number: **16535820**



Spare part list

Year of production: >01/17

Pos.		Article Number	Price	PU
1	spout cpl.	92978820	£ 79,00	1
2	O-ring 11x2,5	98487000	£ 3,30	1
3	hollow set screw M6x5	98447000	£ 3,30	1
4	aerator M22x1 (5 l/min + 25 l/min)	95381820	£ 96,00	1
5	fixing set (Ø 34)	95049000	£ 16,10	1
6	lever collar	97548000	£ 3,30	1
7	connection hose 450 mm M8x0,75 G3/8	97206000	£ 35,00	1
8	O-ring 7x1,5	98422000	£ 3,30	1
9	sealing set	95581000	£ 6,10	1
10	hose connection angel	97753000	£ 51,00	1
11	connection hose 450 mm M10x1 G3/8	96507000	£ 43,00	1
12	O-ring 8x1,5	98423000	£ 3,30	1
13	diverter knob	98619820	£ 110,00	1
14	set of screw covers, cold / hot water / neutral	97987000	£ 64,00	1
15	O-ring 16x2	98133000	£ 3,30	1
16	pull rod	94067000	£ 20,50	1
17	handle	16691820	£ 370,00	1
18	escutcheon for handle	97988820	£ 275,00	1
19	stop valve cpl.	92933000	£ 137,00	1
20	shut off unit left closing	94008000	£ 43,00	1
21	shut off unit right closing	94009000	£ 43,00	1
22	O-ring 34x3	98069000	£ 3,30	1
23	fixing set for shut off unit	96078000	£ 35,00	1
a	pop up waste	94139820	£ 173,00	1