

AXOR Montreux

3-hole basin mixer for concealed installation wall-mounted with spout 165 - 225 mm and lever handles

Finish: **Chrome** Article Number: **16534000**



product features

- consists of: 3-hole basin mixer for concealed installation wall-mounted, waste set
- projection: 165 - 225 mm
- handle variant: lever handle
- spray type: normal spray
- maximum flow rate at 3 bar: 5 l/min
- ceramic valves hot/cold 90°
- suitable for continuous flow water heaters
- non-closing waste set
- connection type: basic set
- connection dimension: DN15
- EU taxonomy: max. 6 l/min - Substantial Contribution (SC)
- WRAS 1906035

Article Details

Price excl. VAT

683,33 £

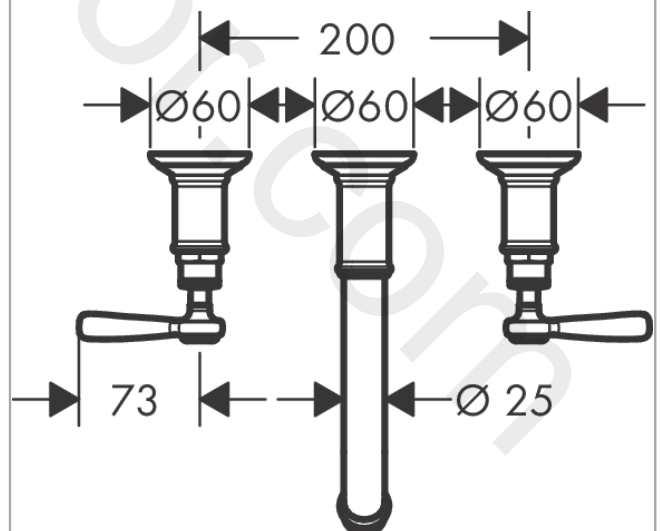
Technology



Product image



Scale drawing



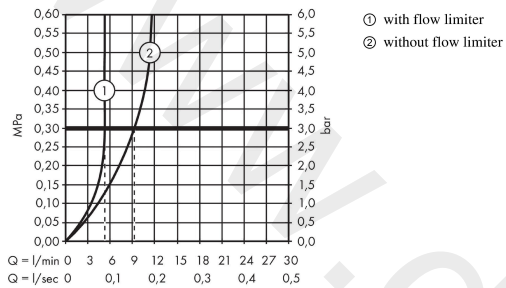
AXOR Montreux

3-hole basin mixer for concealed installation wall-mounted with spout 165 - 225 mm and lever handles

Finish: **Chrome** Article Number: **16534000**



Flowchart



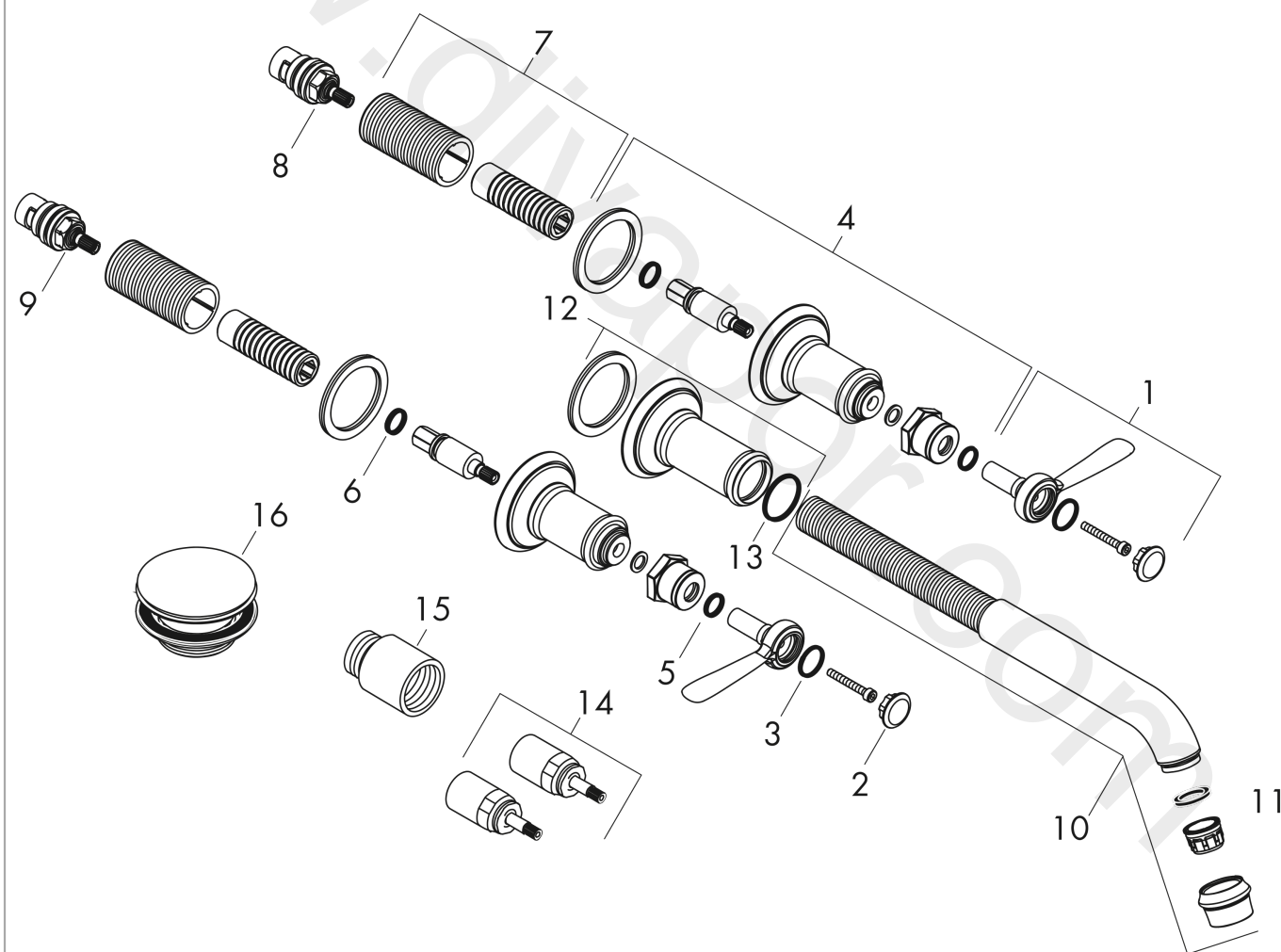
AXOR Montreux
3-hole basin mixer for concealed installation wall-mounted with spout 165 - 225 mm and lever handles

Finish: **Chrome** Article Number: **16534000**



Exploded Drawing

Year of production: >01/17



AXOR Montreux

3-hole basin mixer for concealed installation wall-mounted with spout 165 - 225 mm and lever handles

Finish: **Chrome** Article Number: **16534000**



Spare part list

Year of production: >01/17

Pos.		Article Number	Price	PU
1	handle	16691000	£ 224,00	1
2	set of screw covers, cold / hot water / neutral	97987000	£ 64,00	1
3	O-ring 16x2	98133000	£ 3,30	1
4	escutcheon for handle	98578000	£ 173,00	1
5	O-ring 10x2	98170000	£ 3,30	1
6	O-ring 12x2	98214000	£ 3,30	1
7	fixing set	96392000	£ 35,00	1
8	shut off unit right closing	96350000	£ 51,00	1
9	shut off unit left closing	96351000	£ 51,00	1
10	spout cpl.	98574000	£ 224,00	1
11	aerator M22x1 (5 l/min + 25 l/min)	95381000	£ 64,00	1
12	escutcheon for spout	98576000	£ 137,00	1
13	O-ring 25x2	98389000	£ 3,30	1
14	extension 25 mm	96259000	£ 79,00	1
15	extension 25 mm	95413000	£ 79,00	1
16	waste	50001000	£ 71,00	1