

AXOR Montreux
Single lever bidet mixer with lever handle and pop-up waste set
 Finish: **Brushed Nickel** Article Number: **16526820**



product features

- consists of: single lever bidet mixer, waste set
- projection: 110 mm
- spout height: 140 mm
- aerator with ball pivot
- spray type: normal spray
- maximum flow rate at 3 bar: 5 l/min
- ceramic cartridge
- suitable for continous flow water heaters
- pop-up waste set G 1¼
- connection type: G ¾ connections
- EU taxonomy: max. 6 l/min - Substantial Contribution (SC) possible

Article Details

Price excl. VAT 750,00 £

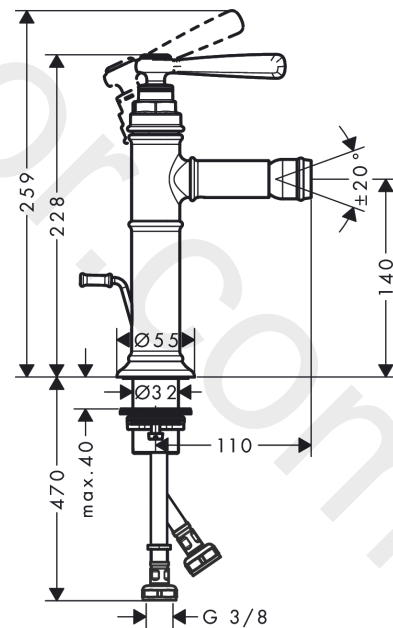
Technology



Product image



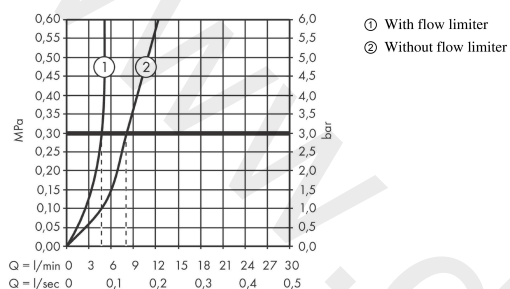
Scale drawing



AXOR Montreux
Single lever bidet mixer with lever handle and pop-up waste set
Finish: **Brushed Nickel** Article Number: **16526820**



Flowchart

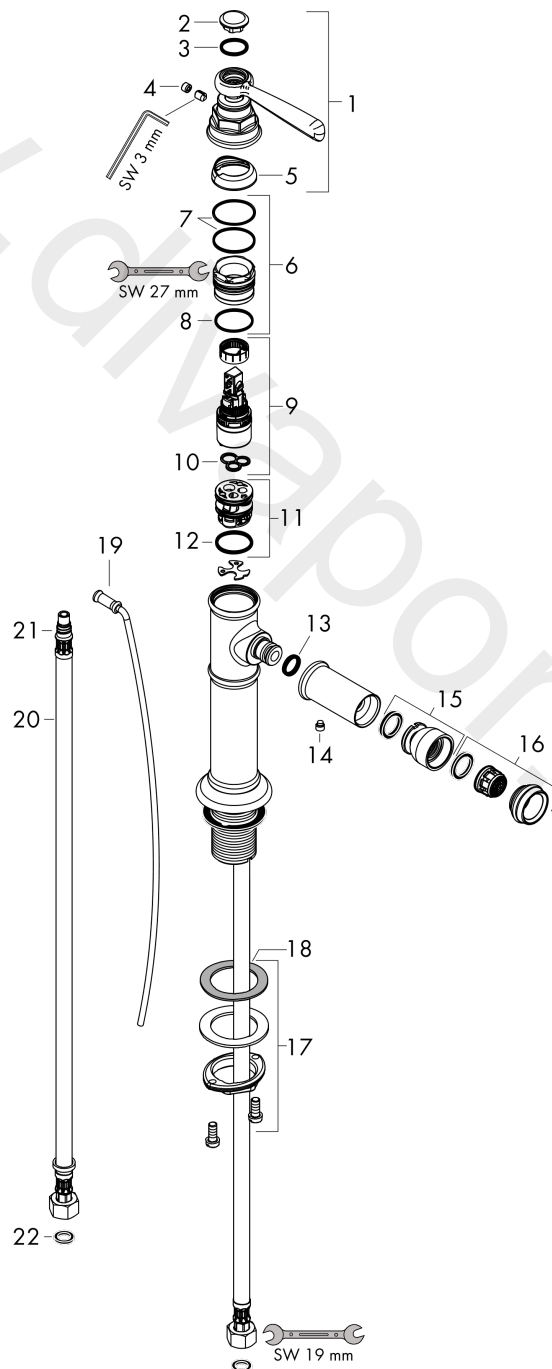


AXOR Montreux
Single lever bidet mixer with lever handle and pop-up waste set
 Finish: **Brushed Nickel** Article Number: **16526820**



Exploded Drawing

Year of production: >01/17



AXOR Montreux
Single lever bidet mixer with lever handle and pop-up waste set
 Finish: **Brushed Nickel** Article Number: **16526820**



Spare part list

Year of production: >01/17

Pos.		Article Number	Price	PU
1	handle	92973820	£ 137,00	1
2	cover cap	92974000	£ 43,00	1
3	O-ring 16x2	98133000	£ 3,30	1
4	screw cover	96338000	£ 3,30	1
5	flange	92625820	£ 51,00	1
6	nut	92689000	£ 25,00	1
7	O-ring 27x1,5	92527000	£ 13,30	1
8	O-ring 25x1,5	98146000	£ 3,30	1
9	cartridge, assy	97685000	£ 64,00	1
10	seal	98865000	£ 35,00	1
11	adapter for cartridge	98866000	£ 35,00	1
12	O-ring 23x2	98398000	£ 3,30	1
13	O-ring 11x2,5	98487000	£ 3,30	1
14	hollow set screw M6x6	97660000	£ 3,30	1
15	ball joint	96050000	£ 43,00	1
16	aerator M24x1 (5 l/min)	93008820	£ 96,00	1
17	fixing set (Ø 34)	95049000	£ 16,10	1
18	lever collar	97548000	£ 3,30	1
19	pull rod	98730820	£ 51,00	1
20	connection hose 600 mm M8x0,75 G3/8	96556000	£ 25,00	1
21	O-ring 7x1,5	98422000	£ 3,30	1
22	sealing set	95581000	£ 6,10	1
a	pop up waste	94139820	£ 173,00	1