

**AXOR Montreux**  
**Single lever basin mixer 210 with lever handle and waste set**  
 Finish: **Chrome** Article Number: **16518000**



### product features

- consists of: single lever basin mixer, waste set
- ComfortZone 210
- projection: 175 mm
- spout height: 209 mm
- handle variant: lever handle
- swivel range 120°
- spray type: laminar spray
- maximum flow rate at 3 bar: 5 l/min
- ceramic cartridge
- temperature limitation adjustable
- suitable for continuous flow water heaters
- non-closing waste set
- connection type: G 3/8 connections
- connection dimension: DN15
- EU taxonomy: max. 6 l/min - Substantial Contribution (SC)
- WRAS 2304071
- WRAS 2304071 - Approval letter 2304071

### Article Details

Price excl. VAT

575,00 £

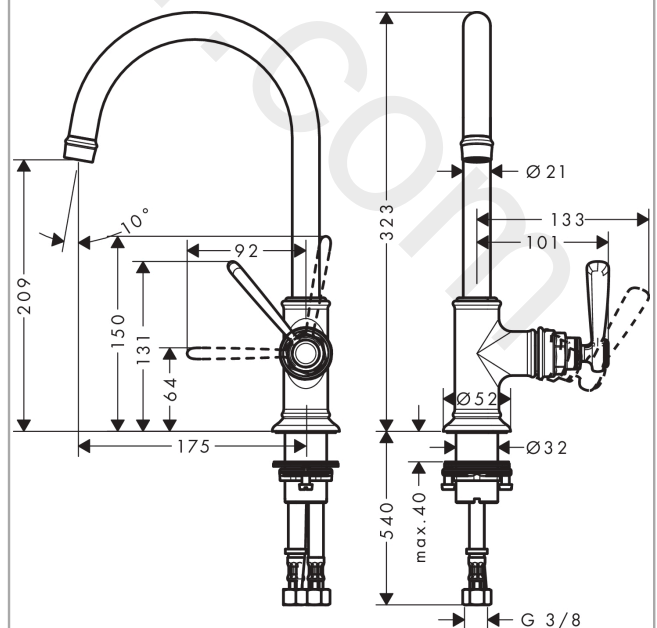
### Technology



### Product image



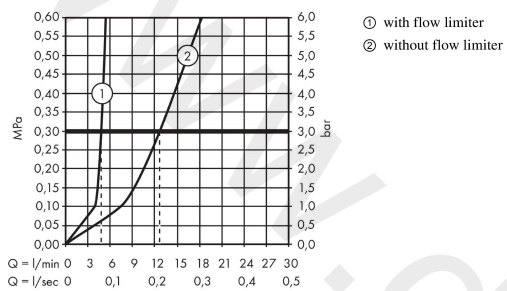
### Scale drawing



**AXOR Montreux**  
**Single lever basin mixer 210 with lever handle and waste set**  
Finish: **Chrome** Article Number: **16518000**



## Flowchart

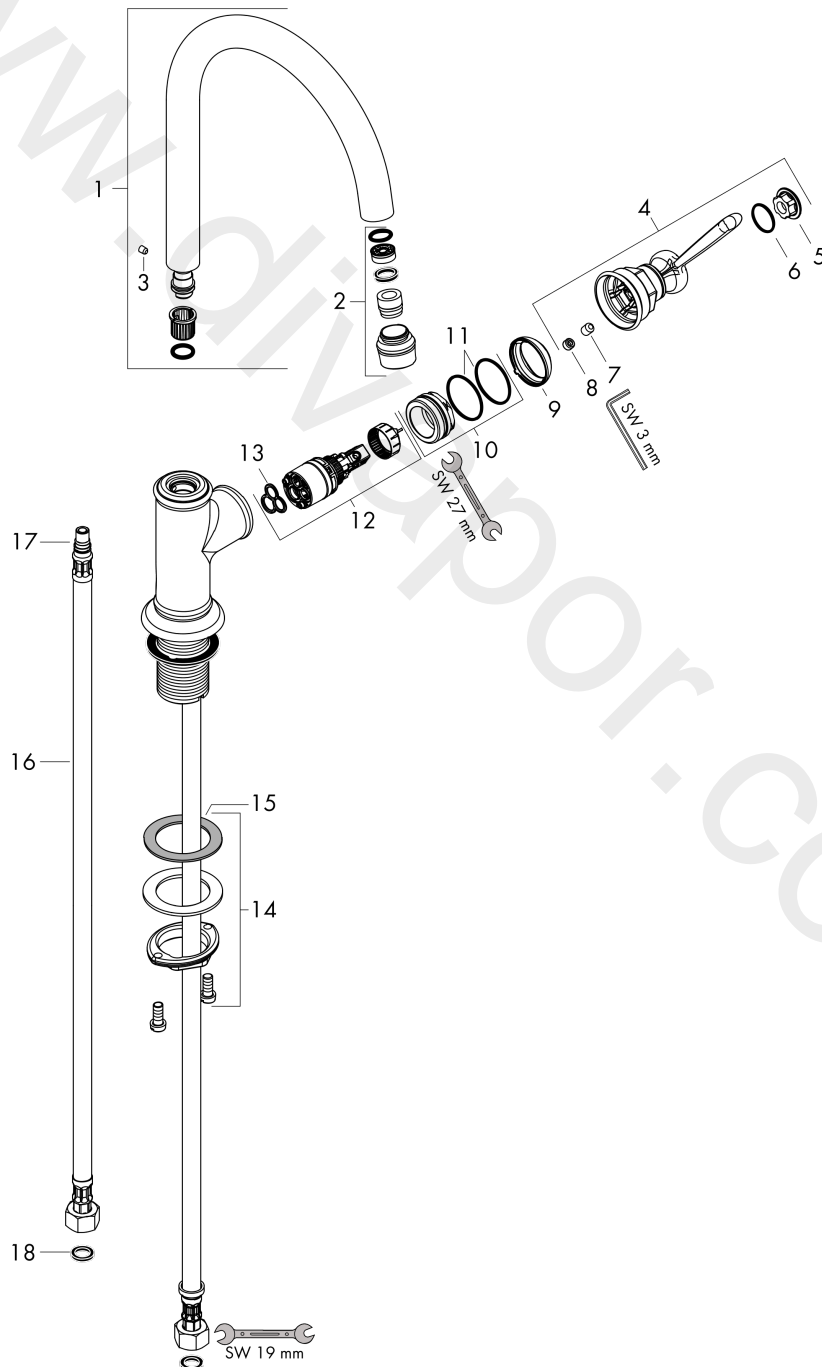


**AXOR Montreux**  
**Single lever basin mixer 210 with lever handle and waste set**  
Finish: **Chrome** Article Number: **16518000**



## Exploded Drawing

Year of production: >01/17



**AXOR Montreux**  
**Single lever basin mixer 210 with lever handle and waste set**  
 Finish: **Chrome** Article Number: **16518000**



## Spare part list

Year of production: >01/17

Pos.		Article Number	Price	PU
1	spout cpl.	97990000	£ 224,00	1
2	aerator M18x1 (5 l/min)	95378000	£ 43,00	1
3	hollow set screw M4x5	98731000	£ 3,30	1
4	handle	92973000	£ 79,00	1
5	cover cap	92974000	£ 43,00	1
6	O-ring 16x2	98133000	£ 3,30	1
7	hollow set screw M6x8	98444000	£ 3,30	1
8	screw cover	96338000	£ 3,30	1
9	flange	92625000	£ 35,00	1
10	nut	92627000	£ 20,50	1
11	O-ring 27x1,5	92527000	£ 13,30	1
12	cartridge, assy	97685000	£ 64,00	1
13	seal	98865000	£ 35,00	1
14	fixing set (Ø 34)	95049000	£ 16,10	1
15	lever collar	97548000	£ 3,30	1
16	connection hose 600 mm M8x0,75 G3/8	96556000	£ 25,00	1
17	O-ring 7x1,5	98422000	£ 3,30	1
18	sealing set	95581000	£ 6,10	1
a	pop up waste	51301000	£ 87,00	1
b	pop up waste	94139000	£ 96,00	1