

**AXOR Montreux**  
**3-hole basin mixer 180 with lever handles and pop-up waste set**  
 Finish: **Brushed Nickel** Article Number: **16514820**



### product features

- consists of: 3-hole basin mixer, waste set
- ComfortZone 180
- projection: 175 mm
- spout height: 179 mm
- handle variant: lever handle
- swivel range 120°
- spray type: laminar spray
- maximum flow rate at 3 bar: 5 l/min
- ceramic valves hot/cold 90°
- suitable for continuous flow water heaters
- pop-up waste set G 1¼
- connection type: G ¾ connections
- connection dimension: DN15
- EU taxonomy: max. 6 l/min - Substantial Contribution (SC)
- WRAS 1812063
- WRAS 1812063
- WRAS 1812063 - Approval letter

### Article Details

Price excl. VAT 1.225,00 £

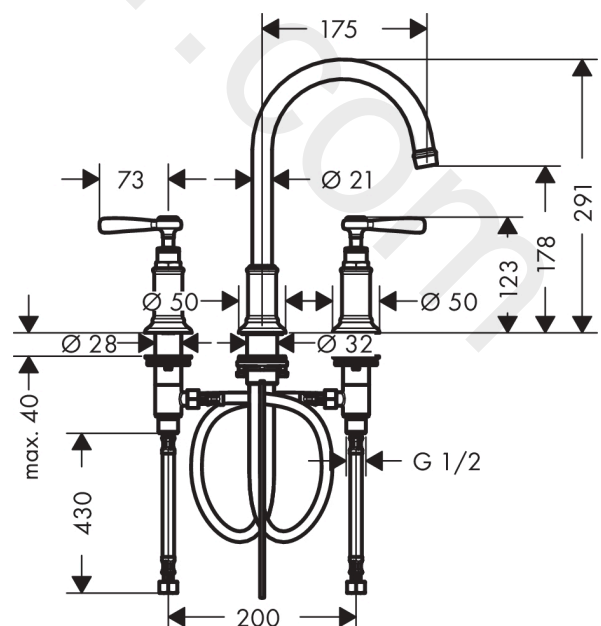
### Technology



### Product image



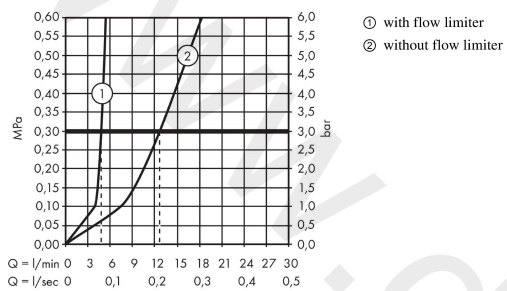
### Scale drawing



**AXOR Montreux**  
**3-hole basin mixer 180 with lever handles and pop-up waste set**  
 Finish: **Brushed Nickel**    Article Number: **16514820**



## Flowchart

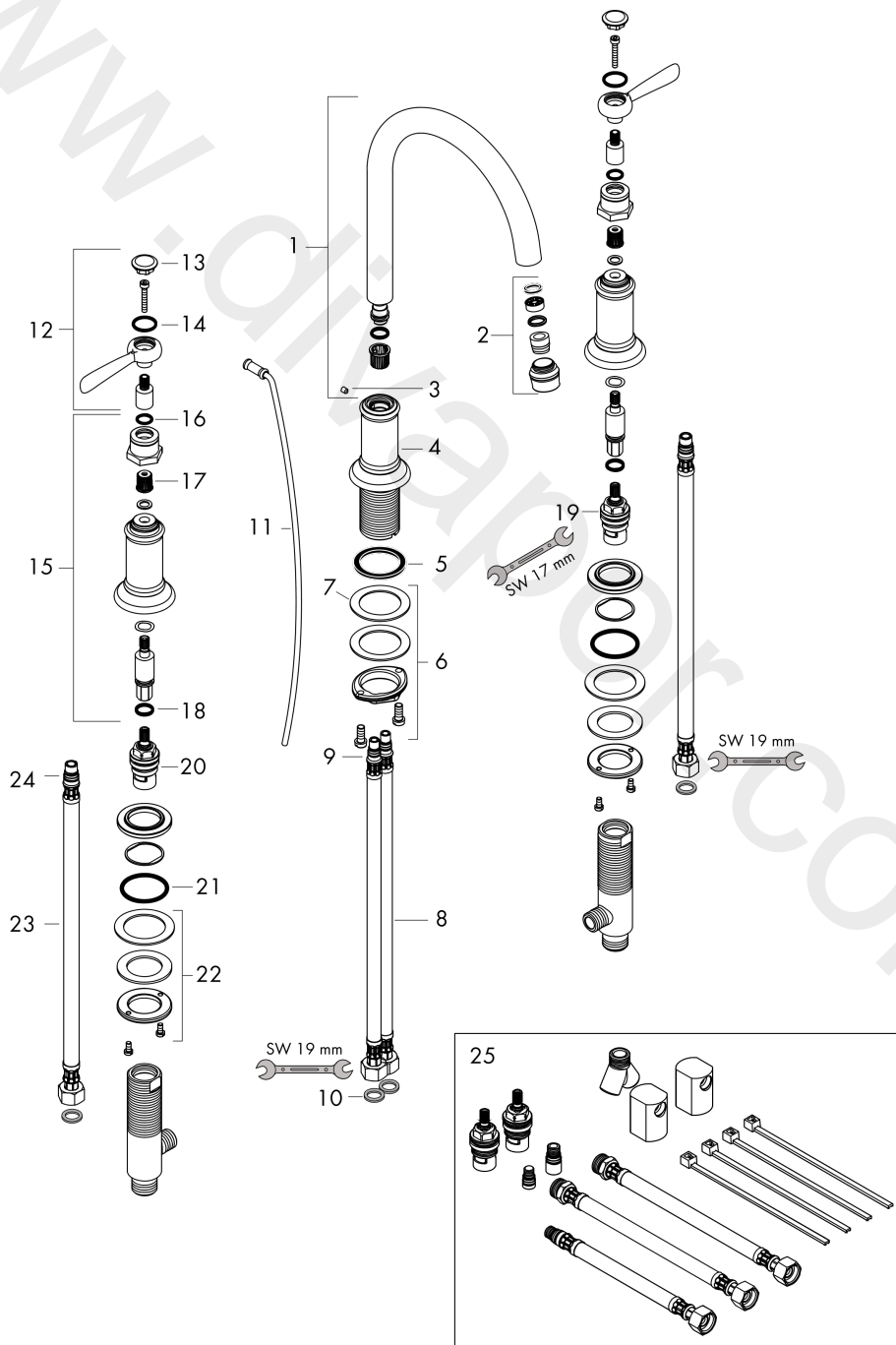


**AXOR Montreux**  
**3-hole basin mixer 180 with lever handles and pop-up waste set**  
 Finish: **Brushed Nickel**    Article Number: **16514820**



## Exploded Drawing

Year of production: >10/16



**AXOR Montreux**  
**3-hole basin mixer 180 with lever handles and pop-up waste set**  
 Finish: **Brushed Nickel** Article Number: **16514820**



## Spare part list

Year of production: >10/16

Pos.		Article Number	Price	PU
1	spout cpl.	97990820	£ 370,00	1
2	aerator M18x1 (5 l/min)	95378820	£ 64,00	1
3	hollow set screw M4x5	98731000	£ 3,30	1
4	escutcheon for spout	97989820	£ 275,00	1
5	flat seal	98749000	£ 6,10	1
6	fixing set (Ø 32)	13961000	£ 25,00	1
7	lever collar	97548000	£ 3,30	1
8	connection hose 450 mm M8x0,75 G3/8	97206000	£ 35,00	1
9	O-ring 7x1,5	98422000	£ 3,30	1
10	sealing set	95581000	£ 6,10	1
11	pull rod	98730820	£ 51,00	1
12	handle	92705820	£ 173,00	1
13	set of screw covers, cold / hot water / neutral	97987000	£ 64,00	1
14	O-ring 16x2	98133000	£ 3,30	1
15	escutcheon for handle	92707820	£ 173,00	1
16	O-ring 10x2	98170000	£ 3,30	1
17	adapter for handle	92375000	£ 51,00	1
18	O-ring 12x2	98214000	£ 3,30	1
19	shut off unit left closing	94008000	£ 43,00	1
20	shut off unit right closing	94009000	£ 43,00	1
21	O-ring 34x3	98069000	£ 3,30	1
22	fixing set for shut off unit	96078000	£ 35,00	1
23	connection hose 450 mm M10x1 G3/8	96507000	£ 43,00	1
24	O-ring 8x1,75	97827000	£ 3,30	1
25	Hose extension set for 3-Hole Basin Mixer	38959000	£ 147,00	1
a	pop up waste	94139820	£ 173,00	1
b	fixation extension 35 mm	13898000	£ 79,00	1