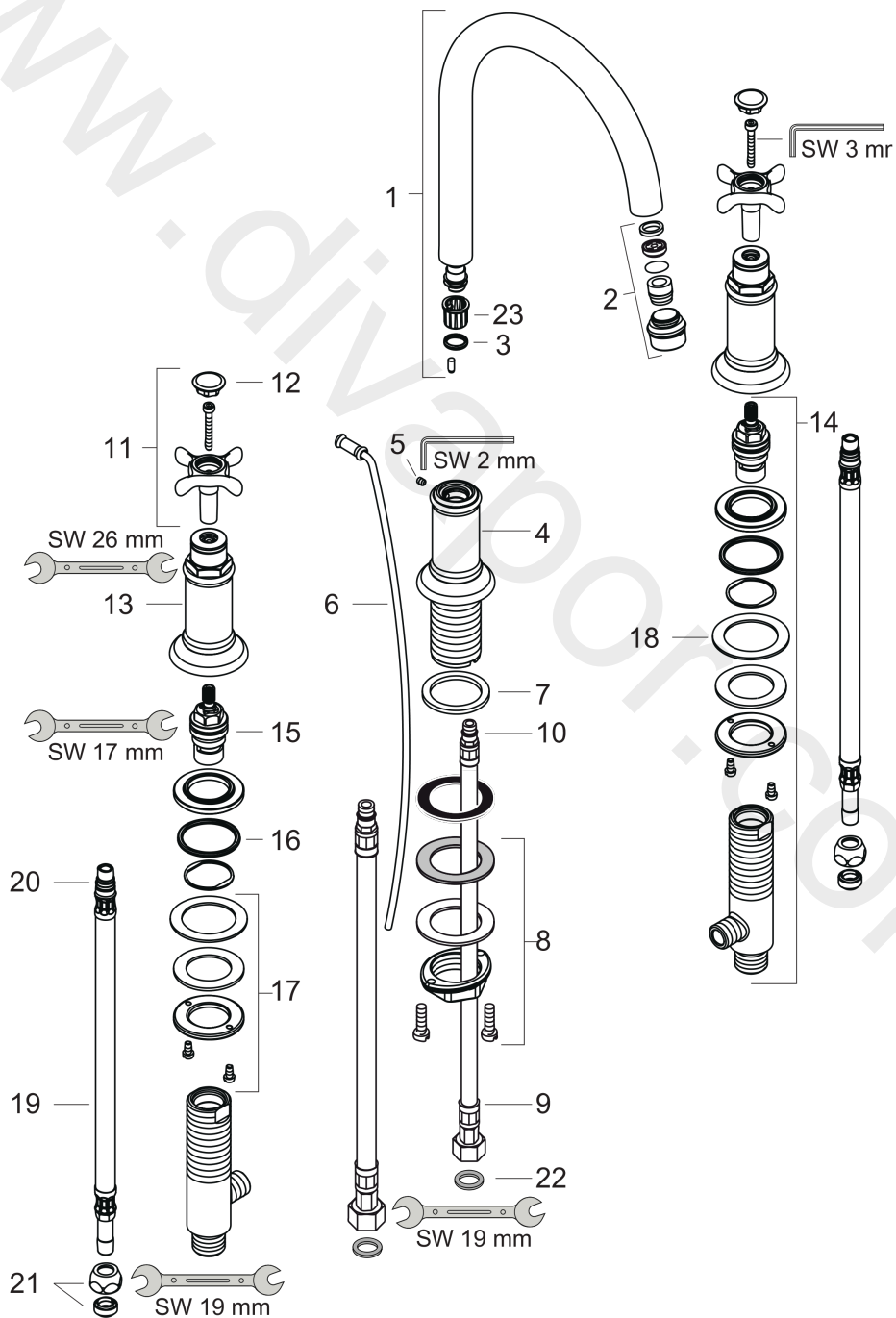


**AXOR Montreux**  
**3-hole basin mixer 180 with cross handles and pop-up waste set**  
 Surfaces: Article Number: **16513000**



## Exploded Drawing

Year of production: **01/10 - 09/10**



**AXOR Montreux**  
**3-hole basin mixer 180 with cross handles and pop-up waste set**  
 Surfaces: Article Number: **16513000**



## Spare part list

Year of production: **01/10 - 09/10**

| Pos. |   | Article Number | Price    | PU |
|------|---|----------------|----------|----|
| 1    | spout cpl.                                      | 97990000       | £ 224,00 | 1  |
| 2    | aerator laminar M18x1 (7 l/min)                 | 97991000       | £ 43,00  | 1  |
| 3    | O-ring 11x2                                     | 98127000       | £ 3,30   | 1  |
| 4    | escutcheon for spout                            | 97989000       | £ 173,00 | 1  |
| 5    | hollow set screw M4x5                           | 98731000       | £ 3,30   | 1  |
| 6    | pull rod  | 98730000       | £ 35,00  | 1  |
| 7    | flat seal                                       | 98749000       | £ 6,10   | 1  |
| 8    | fixing set (Ø 32)                               | 13961000       | £ 25,00  | 1  |
| 9    | connection hose 450 mm M8x0,75 G3/8             | 97206000       | £ 35,00  | 1  |
| 10   | O-ring 7x1,5                                    | 98422000       | £ 3,30   | 1  |
| 11   | handle  | 16291000       | £ 96,00  | 1  |
| 12   | set of screw covers, cold / hot water / neutral | 97987000       | £ 64,00  | 1  |
| 13   | escutcheon for handle                           | 97988000       | £ 173,00 | 1  |
| 14   | stop valve cpl.                                 | 92933000       | £ 137,00 | 1  |
| 15   | shut off unit right closing                     | 94009000       | £ 43,00  | 1  |
| 16   | O-ring 34x4                                     | 98155000       | £ 3,30   | 1  |
| 17   | fixing set for shut off unit                    | 96078000       | £ 35,00  | 1  |
| 18   | lever collar                                    | 97548000       | £ 3,30   | 1  |
| 19   | connection hose 450 mm M10x1 G3/8               | 96507000       | £ 43,00  | 1  |
| 20   | O-ring 8x1,75                                   | 97827000       | £ 3,30   | 1  |
| 21   | squeezing connection                            | 94158000       | £ 9,00   | 1  |
| 22   | sealing set                                     | 95581000       | £ 6,10   | 1  |
| 23   | lever collar                                    | 92849000       | £ 9,00   | 1  |
| a    | pop up waste                                    | 94139000       | £ 96,00  | 1  |
| b    | fixation extension 35 mm                        | 13898000       | £ 79,00  | 1  |